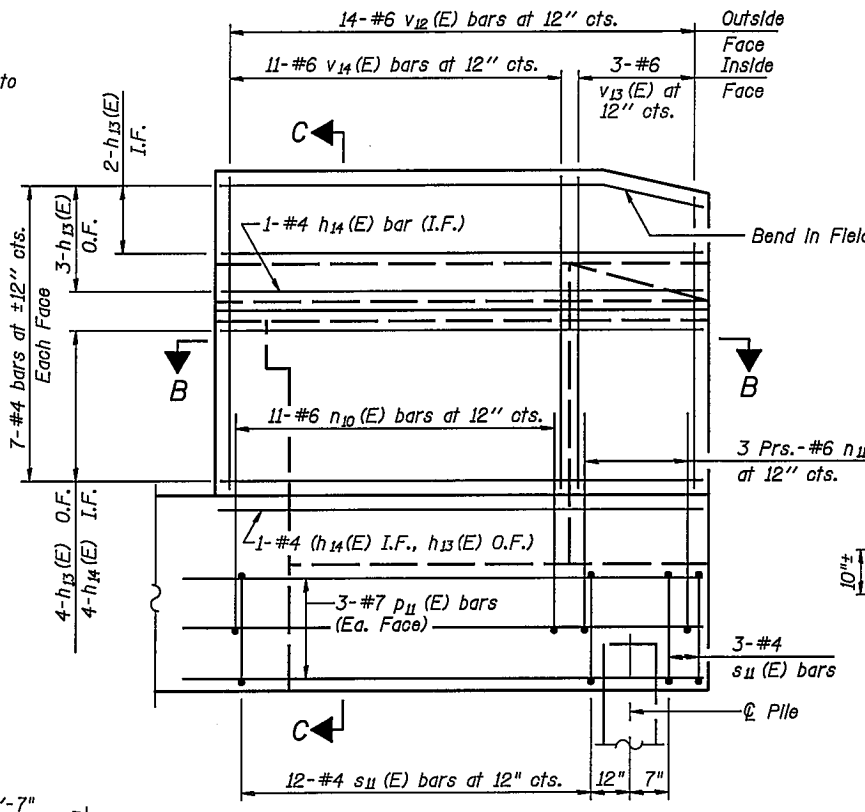
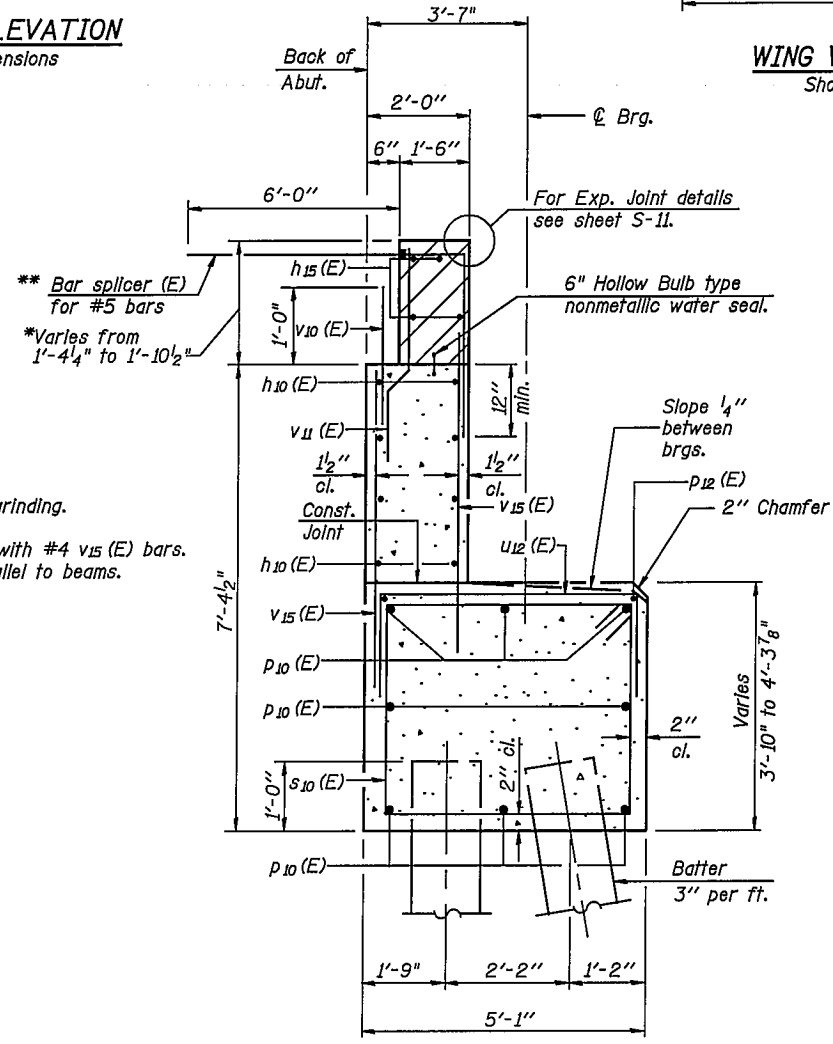


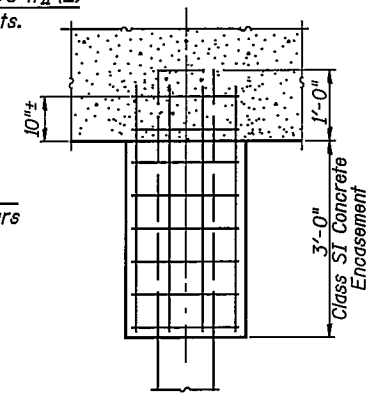
**WING WALL ELEVATION**  
Showing Dimensions



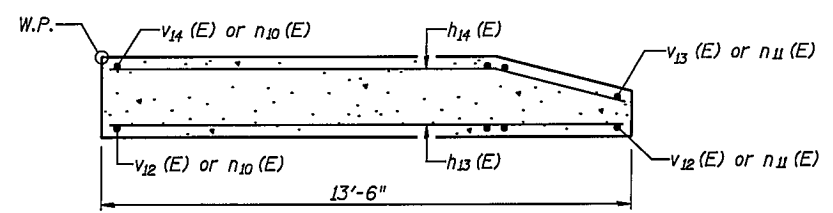
**WING WALL ELEVATION**  
Showing Reinforcement



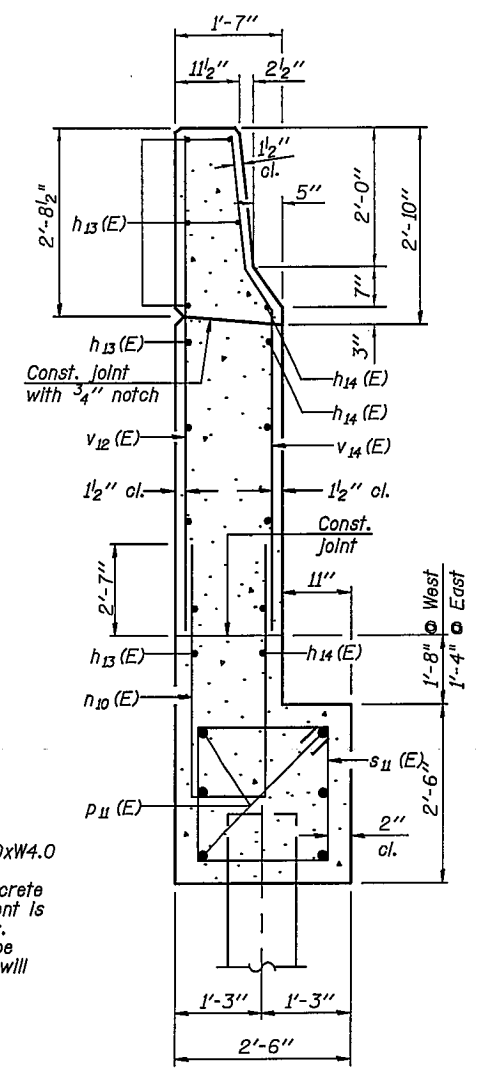
**SEC. THRU ABUT.**



**PILE ENCASEMENT DETAIL**



**SEC. B-B**



**SECTION C-C**

\*Prior to grinding.  
\*\* Alternate with #4 v<sub>15</sub>(E) bars. Place parallel to beams.

Notes: Hatched area to be poured after superstructure forms have been removed. Quantity of concrete included with Concrete Superstructure. Space reinforcement in cap to miss anchor bolts. Pour steps monolithically with cap. Reinforcement bars designated (E) shall be epoxy coated. Quantity of concrete in end post included with Concrete Superstructure on sheet S-9.

**SOUTH ABUTMENT SECTIONS AND DETAILS**  
U.S. ROUTE 136/IL. ROUTE 1 OVER NORTH FORK VERMILION RIVER  
F.A.P. ROUTE 332 SEC. RX-1-BR-1  
VERMILION COUNTY  
STATION 198+63.75  
STRUCTURE NO. 092-0205

| CHAMPAGNE, ILLINOIS   | CHICAGO, ILLINOIS | EVANSVILLE, INDIANA | INDIANAPOLIS, INDIANA | KENOSHA, WISCONSIN | SPRING GREEN, WISCONSIN |                 |                 |               |               |                   |            |          |         |  |  |  |  |  |  |  |
|---|-------------------|---------------------|-----------------------|--------------------|-------------------------|-----------------|-----------------|---------------|---------------|-------------------|------------|----------|---------|--|--|--|--|--|--|--|
| <table border="1"> <tr> <th>REVISIONS</th> <th>NAME</th> <th>DATE</th> </tr> <tr> <td> </td> <td> </td> <td> </td> </tr> <tr> <td> </td> <td> </td> <td> </td> </tr> <tr> <td> </td> <td> </td> <td> </td> </tr> <tr> <td> </td> <td> </td> <td> </td> </tr> </table> |                   |                     |                       |                    |                         | REVISIONS       | NAME            | DATE          |               |                   |            |          |         |  |  |  |  |  |  |  |
| REVISIONS   | NAME              | DATE                |                       |                    |                         |                 |                 |               |               |                   |            |          |         |  |  |  |  |  |  |  |
|   |                   |                     |                       |                    |                         |                 |                 |               |               |                   |            |          |         |  |  |  |  |  |  |  |
|   |                   |                     |                       |                    |                         |                 |                 |               |               |                   |            |          |         |  |  |  |  |  |  |  |
|   |                   |                     |                       |                    |                         |                 |                 |               |               |                   |            |          |         |  |  |  |  |  |  |  |
|   |                   |                     |                       |                    |                         |                 |                 |               |               |                   |            |          |         |  |  |  |  |  |  |  |
| <table border="1"> <tr> <td>DESIGNED BY: XX</td> <td>CHECKED BY: MEV</td> <td>DATE: 1/22/88</td> </tr> <tr> <td>DRAWN BY: HHI</td> <td>APPROVED BY: XXXX</td> <td>DATE: 1/85</td> </tr> <tr> <td>ACTIVITY</td> <td>DETAILS</td> <td></td> </tr> </table>              |                   |                     |                       |                    |                         | DESIGNED BY: XX | CHECKED BY: MEV | DATE: 1/22/88 | DRAWN BY: HHI | APPROVED BY: XXXX | DATE: 1/85 | ACTIVITY | DETAILS |  |  |  |  |  |  |  |
| DESIGNED BY: XX   | CHECKED BY: MEV   | DATE: 1/22/88       |                       |                    |                         |                 |                 |               |               |                   |            |          |         |  |  |  |  |  |  |  |
| DRAWN BY: HHI   | APPROVED BY: XXXX | DATE: 1/85          |                       |                    |                         |                 |                 |               |               |                   |            |          |         |  |  |  |  |  |  |  |
| ACTIVITY  | DETAILS           |                     |                       |                    |                         |                 |                 |               |               |                   |            |          |         |  |  |  |  |  |  |  |
| DRAWING NUMBER<br><b>S-19</b>   |                   |                     |                       |                    |                         |                 |                 |               |               |                   |            |          |         |  |  |  |  |  |  |  |