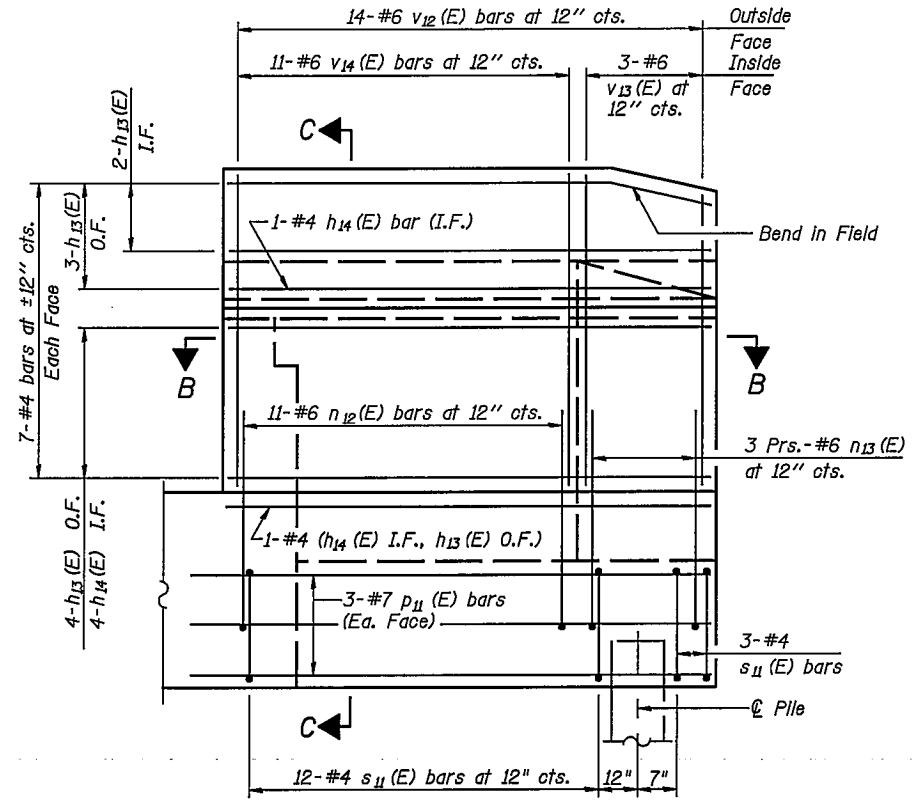
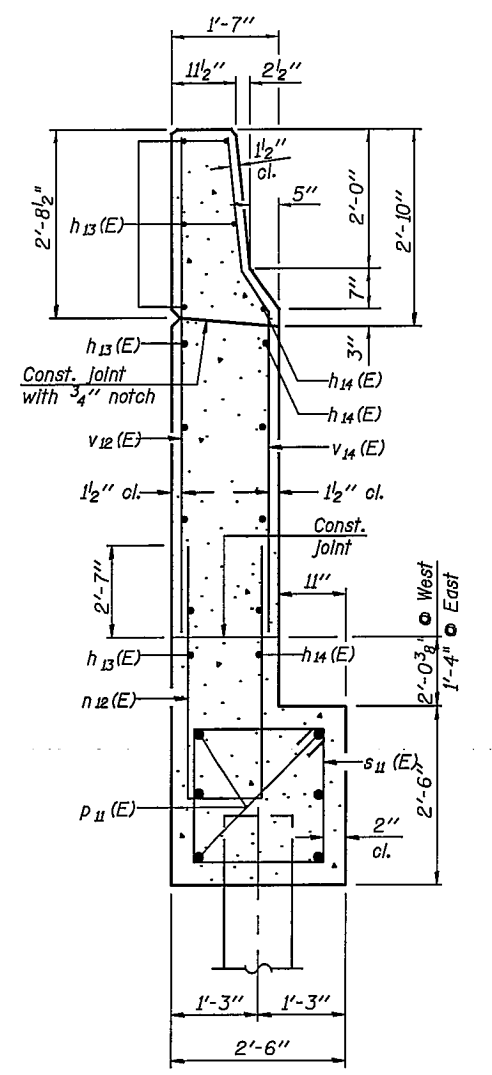


**WING WALL ELEVATION**  
Showing Dimensions

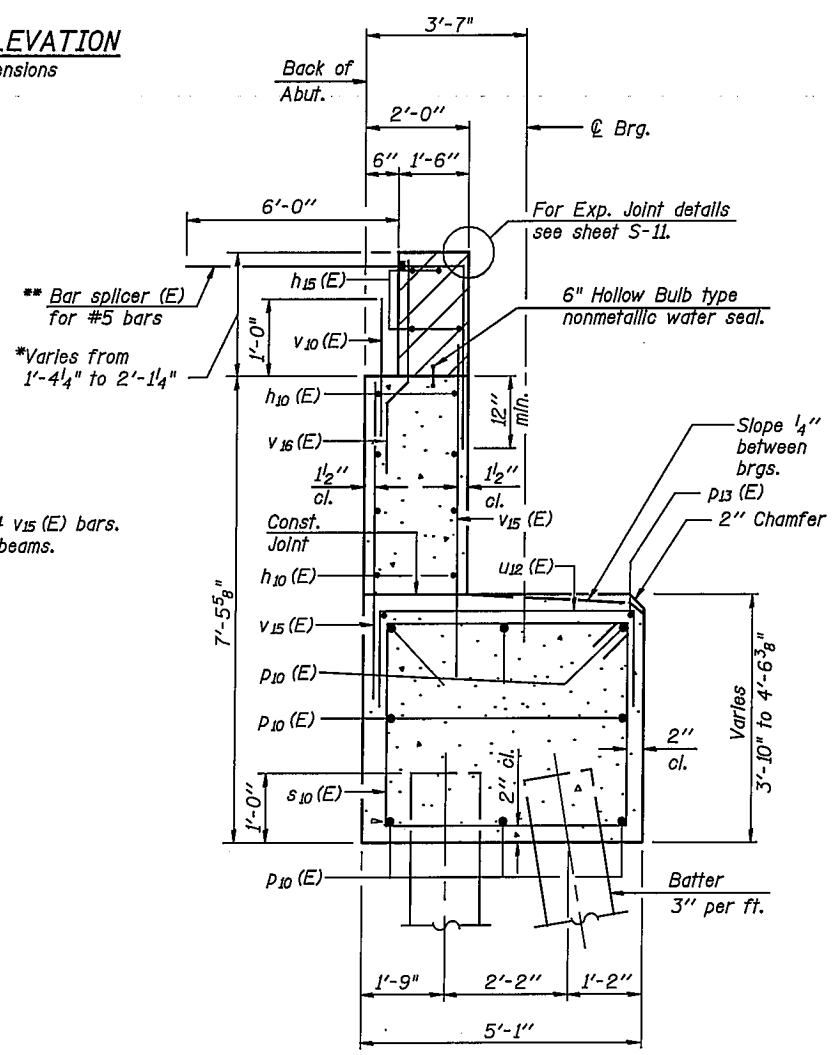
See Pile Encasement Detail on S-19.



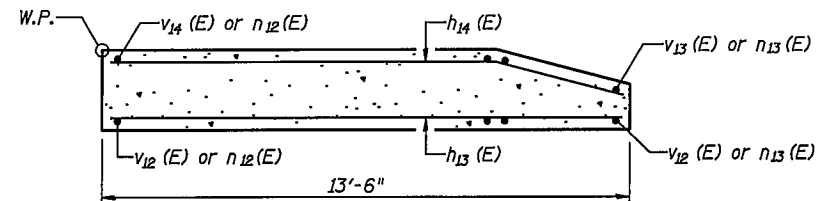
**WING WALL ELEVATION**  
Showing Reinforcement



**SECTION C-C**



**SEC. THRU ABUT.**



**SEC. B-B**

Notes: Hatched area to be poured after superstructure forms have been removed. Quantity of concrete included with Concrete Superstructure. Space reinforcement in cap to miss anchor bolts. Pour steps monolithically with cap. Reinforcement bars designated (E) shall be epoxy coated. Quantity of concrete in end post included with Concrete Superstructure on sheet S-9.

**NORTH ABUTMENT SECTIONS & DETAILS**  
U.S. ROUTE 136/IL. ROUTE 1 OVER NORTH FORK VERMILION RIVER  
F.A.P. ROUTE 332 SEC. RX-1-BR-1  
VERMILION COUNTY  
STATION 198+63.75  
STRUCTURE NO. 092-0205

|                         |                     |
|-------------------------|---------------------|
| CHICAGO, ILLINOIS       | EVANSVILLE, INDIANA |
| INDIANAPOLIS, INDIANA   | KENOSHA, WISCONSIN  |
| SPRING GREEN, WISCONSIN |                     |

REVISIONS

| NO. | NAME | DATE |
|-----|------|------|
|     |      |      |
|     |      |      |
|     |      |      |
|     |      |      |

DRAWING NUMBER: S-21