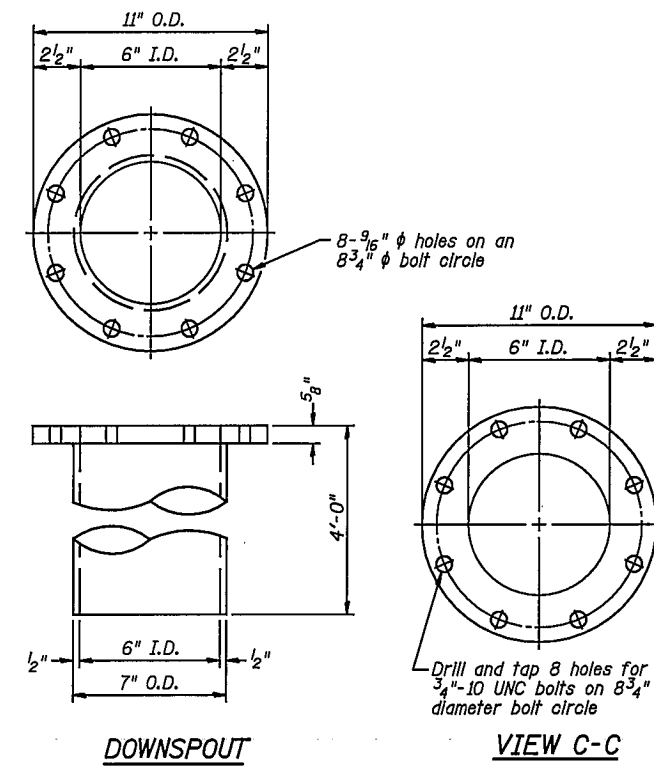
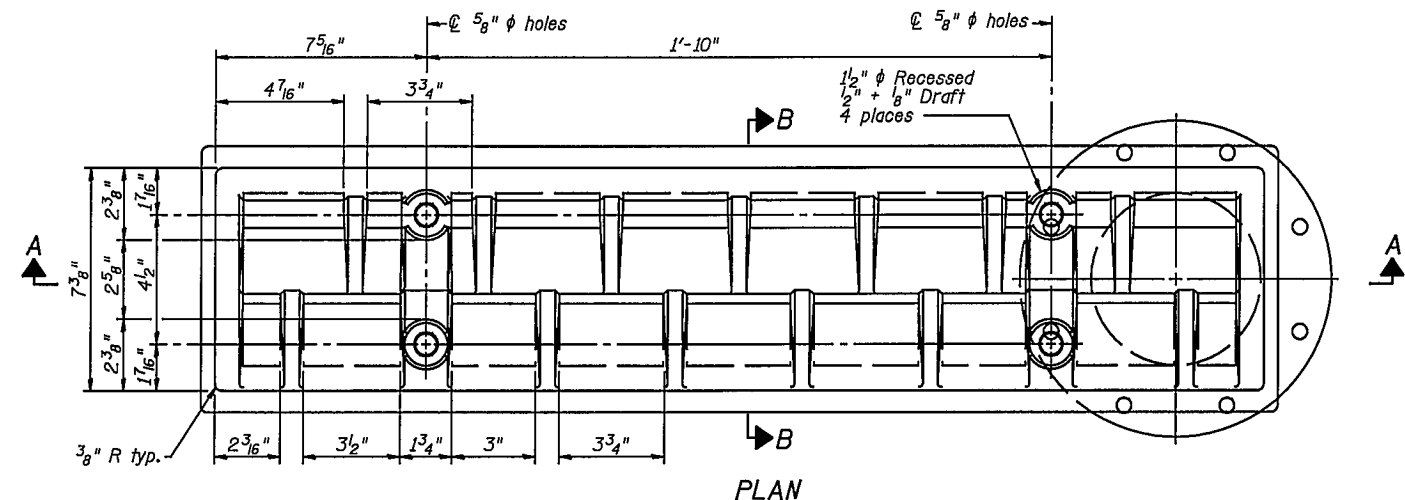
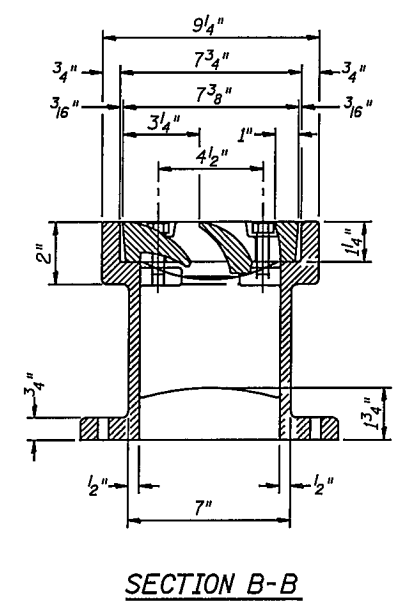
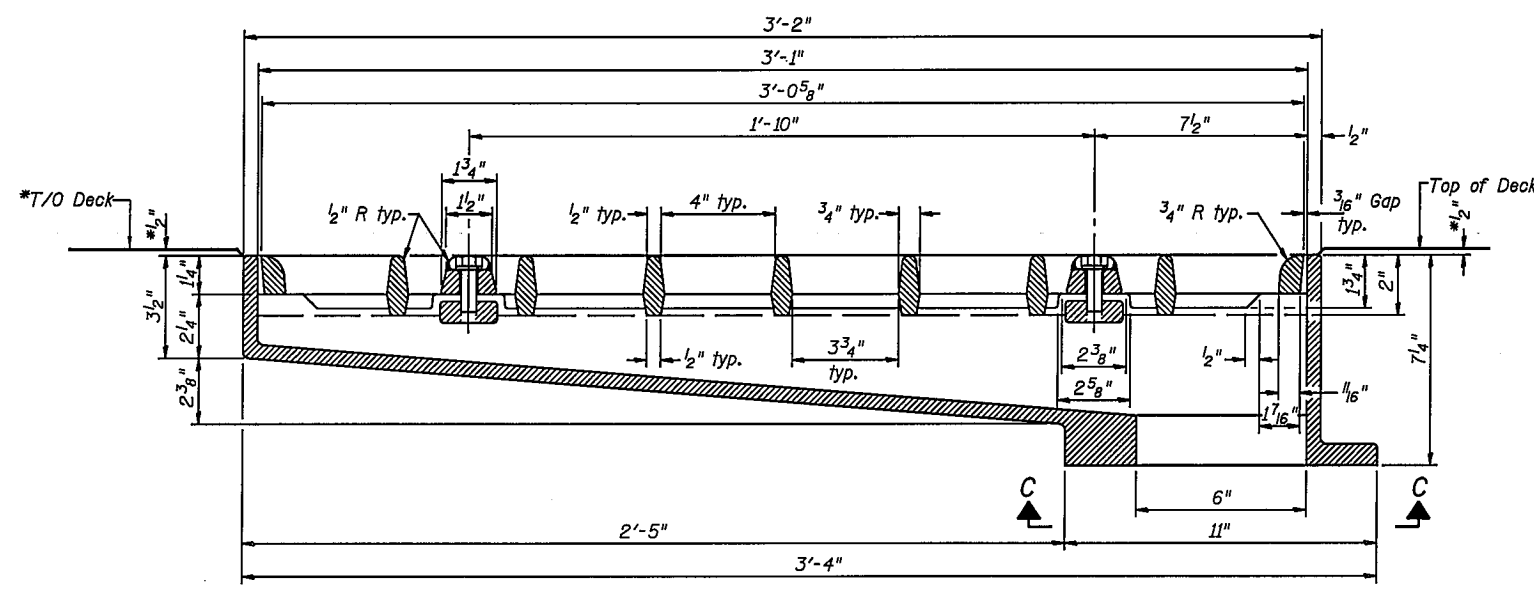


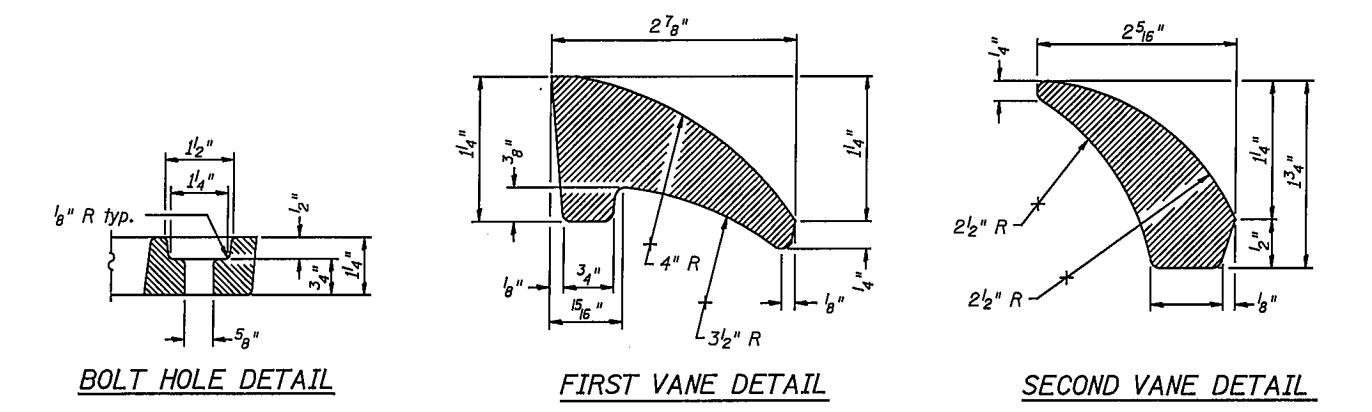
ROUTE NO.	SECTION	COUNTY	STATION	SHEET	SHEET NO.
F.A.P. 332	69	VERMILION	140	67	- SHEETS
FED. ROAD DIST. NO. 7		ILLINOIS		FED. AID PROJECT	
Contract #90841					



Notes: All cast iron parts shall be gray iron conforming to the requirements of AASHTO M 105, Class 35B.
 Bolts, anchor studs, washers and nuts shall conform to the requirements of ASTM A 307 and shall be galvanized according to AASHTO M 232.
 The grate, frame and downspout shall be galvanized according to AASHTO M 111 and ASTM A 385. Downspouts located on the exterior side of a painted steel fascia beam shall be painted with the finish coat specified for the exterior side of the fascia beam.
 As an alternate, bolts, anchor studs, washers and nuts may be stainless steel according to Article 1006.29(d) of the Standard Specifications.
 Structural steel weldments of equal sections and of the same configuration may be substituted for cast iron. Fillet or full penetration welds shall be used for the weldments. Details shall be submitted to the Engineer for approval.
 The Contractor shall take appropriate measures to assure that Protective Coat is not applied to the scupper.
 Cost of the Grate, Frame, Downspout, Anchor Studs, Bolts, Washers and Nuts including complete installation of the scupper shall be paid for at the contract unit price each for Drainage Scupper, DS-33.



*Prior to grinding
 See sheet S-9 for scupper location relative to parapet.



BILL OF MATERIAL

ITEM	UNIT	QUANTITY
Drainage Scupper, DS-33	Each	2

REVISIONS	DATE
NAME	DATE

DS-33 SCUPPER DETAILS

U.S. ROUTE 136/IL. ROUTE 1 OVER
 NORTH FORK VERMILION RIVER
 F.A.P. ROUTE 332 SEC. RX-1-BR-1
 VERMILION COUNTY
 STATION 198+63.75
 STRUCTURE NO. 092-0205

CHAMPAIGN, ILLINOIS
 CHICAGO, ILLINOIS
 EVANSTON, ILLINOIS
 INDIANAPOLIS, INDIANA
 KENOSHA, WISCONSIN
 SPRING GREEN, WISCONSIN

NOTES: DIMENSIONAL DATA IS NOT TO BE OBTAINED BY MEASURING ANY PORTION OF THIS DRAWING.

DRAWING NUMBER
S-26