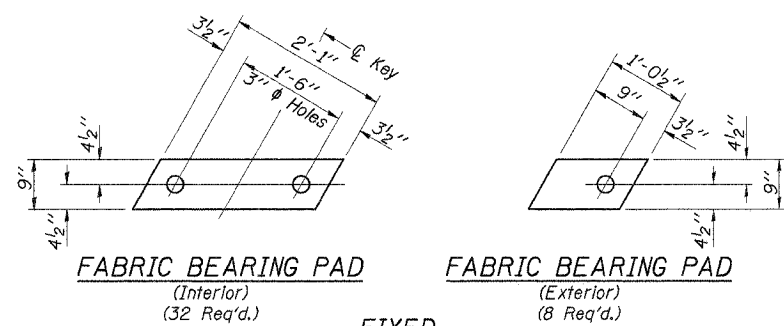


ROUTE NO.	SECTION	COUNTY	TOTAL SHEETS	SHEET NO.
T.R. 167	06-01102-01-BR	PIATT	15	6
ROAD DIST.		ILLINOIS	BEMENT	

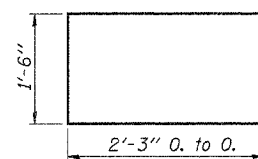
CONTRACT NO. 91364



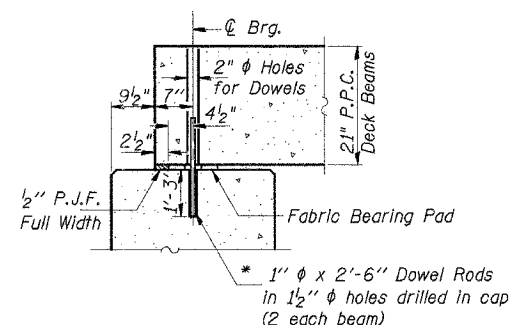
**FABRIC BEARING PAD**  
(Interior)  
(32 Req'd.)

**FABRIC BEARING PAD**  
(Exterior)  
(8 Req'd.)

**FIXED**

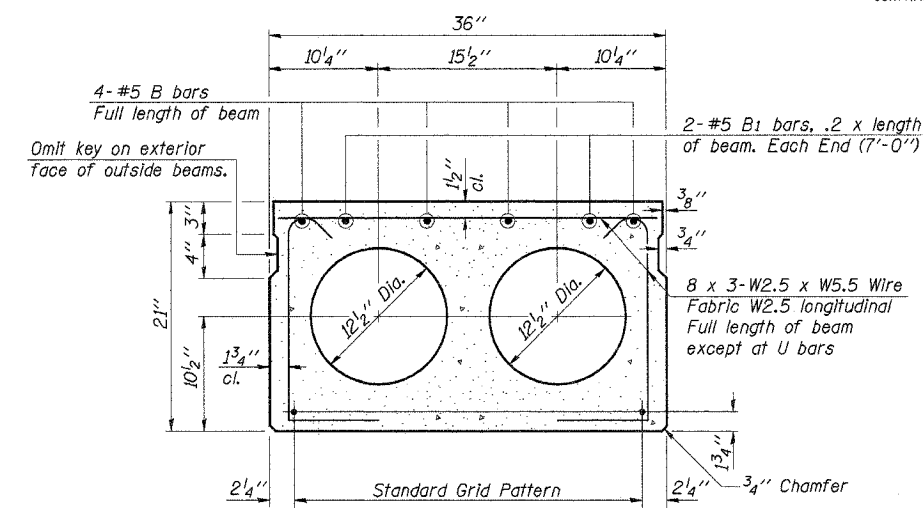


**BAR U1**



**SEC. THRU ABUT.**

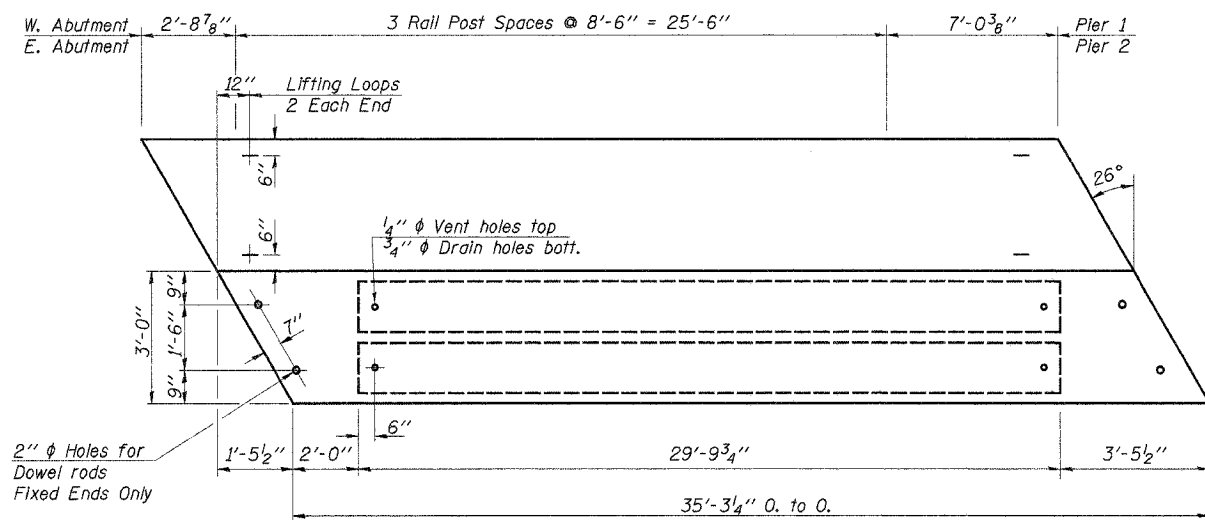
\* Dowel Rods to be grouted after beams are in place and allowed to cure (Min. 24 hrs.) prior to grouting the shear keys.



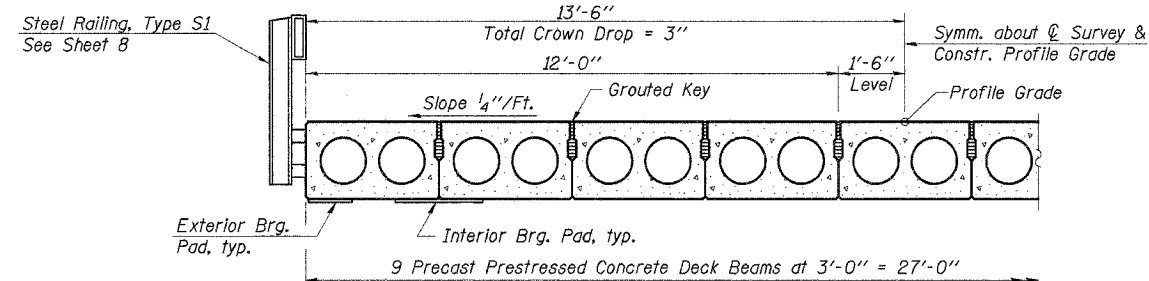
**TYPICAL SECTION**

7-1/2"  $\phi$  Strands, Each Strand Stressed to 30,900 Lbs.  
7-Strands 1 3/4" up

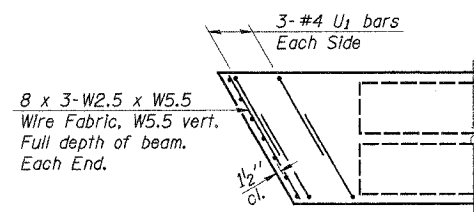
Note:  
Place strands symmetrically about  $\phi$  of beam.



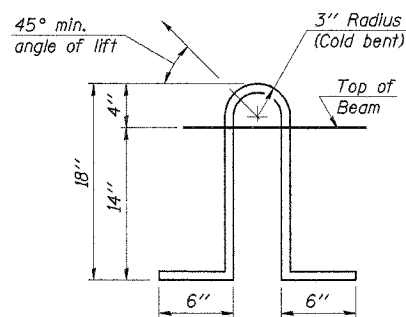
**PLAN**



**HALF CROSS SECTION**



**END PLAN**



**LIFTING LOOP DETAIL**

**NOTES**

Prestressing steel shall be uncoated high strength, low relaxation 7-wire strand, Grade 270. The nominal diameter shall be 1/2" and the nominal cross-sectional area shall be 0.153 sq. in. Lifting loops shall be 2-1/2"  $\phi$ -270 ksi strands, as shown. The 1"  $\phi$  rods in the transverse tie assembly shall be tightened to a snug fit and the threads set. Pockets that receive transverse tie bar on outside shall be filled with grout after transverse tie assembly is in place. Non prestressing steel shall conform to AASHTO M-31 or M-322 Grade 60. The bearing seat surfaces shall be adjusted by shimming to assure firm and even bearing. Two 1/8" fabric adjusting shims of the dimensions of the Exterior Bearing Pad shall be provided for each bearing. Keyway surfaces shall be cleaned to remove form oil or other bond breaking material prior to shipment of the beams. Cleaning shall be done by sandblasting the keyway areas between top of the beam and the bottom edge of the key. Corrosion Inhibitor, as covered in the Special Provisions, shall be used in the concrete for precast prestressed concrete deck beams. Required Release Strength, f'ci, shall be 4,000 p.s.i. See Special Provisions for review and distribution of shop drawings. Rail post anchor devices shall be cast into outside beam as elsewhere specified.

**BILL OF MATERIAL**

Item	Unit	Quantity
Precast Prestressed Concrete Deck Beams (21" Depth)	Sq. Ft.	1,905

Estimated Total Weight (One Beam) = 20,900 Pounds

DESIGNED	F.J.S.
CHECKED	S.F.M.
DRAWN	S.A.P.
CHECKED	S.F.M.

PD-3-R 9-1-03

4440 ASH GROVE  
SPRINGFIELD, IL 62711  
(217) 793-8600  
oasinc@insightbb.com

**FEHR-GRAHAM & ASSOCIATES, LLC**  
ENGINEERING AND SCIENCE CONSULTANTS  
PREPARED BY: ROBERTA L. BUCKLEY, P.E. SPRINGFIELD, ILL.

JOB NO. 0602  
FILE: 0602SUPER1.DGN  
DATE: 05/26/06

**SUPERSTRUCTURE SPANS 1 & 3**  
**SECTION 06-01102-01-BR**  
**BEMENT ROAD DISTRICT**  
**PIATT COUNTY**  
**STATION 5+06.55**