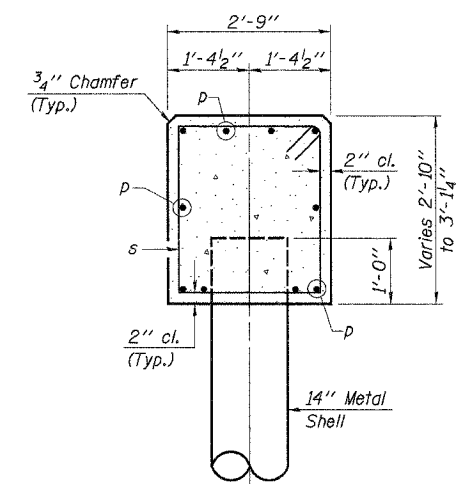
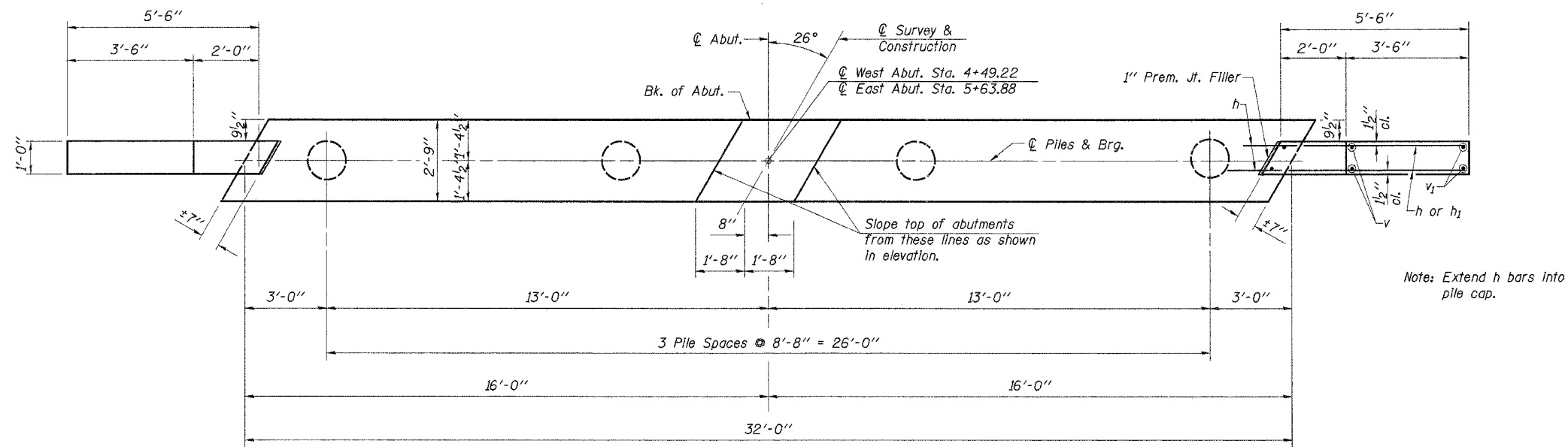
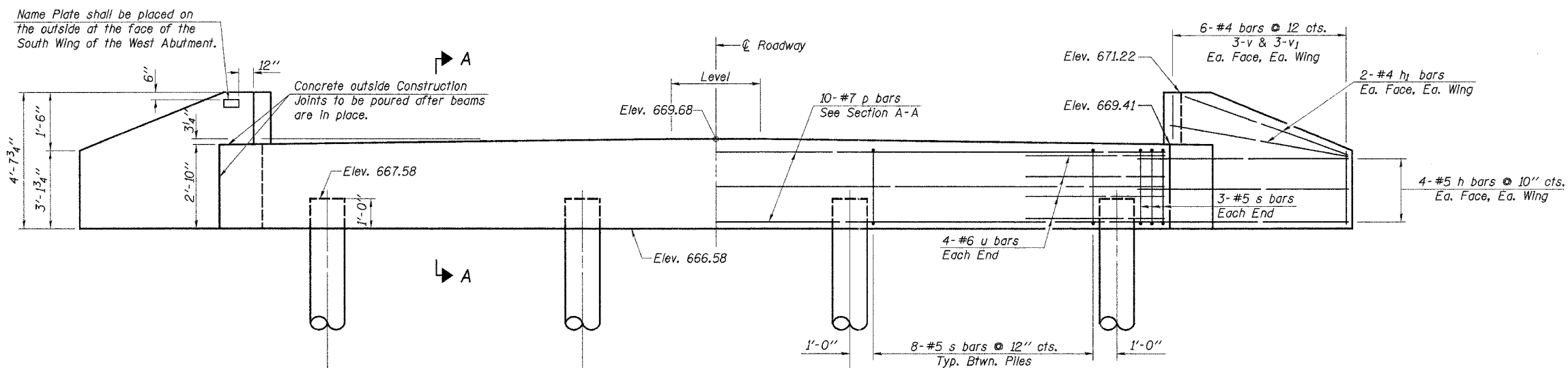


ROUTE NO.	SECTION	COUNTY	TOTAL SHEETS	SHEET NO.
T.R. 167	06-01102-01-BR	PIATT	15	9
ROAD DIST.	ILLINOIS	BEMENT		

CONTRACT NO. 91364



Note: Extend h bars into pile cap.



**2 ABUTMENTS
BILL OF MATERIAL**

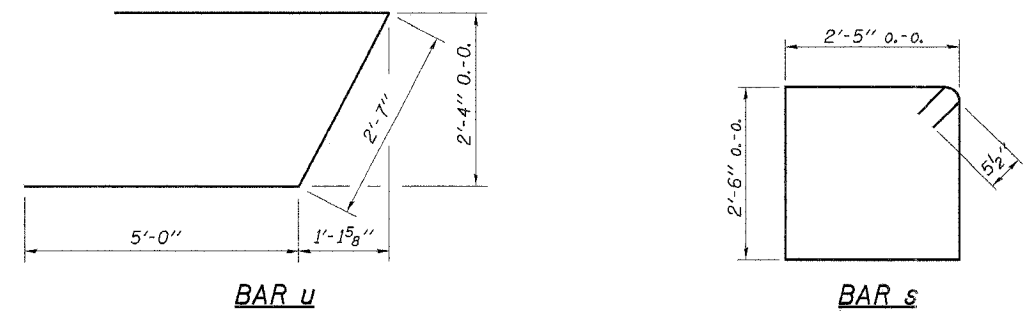
Bar	No.	Size	Length	Shape
h	32	#5	7'-6"	—
h1	16	#4	5'-3"	—
p	20	#7	31'-8"	—
s	60	#5	10'-9"	□
u	16	#6	12'-7"	▤
v	24	#4	4'-3"	—
v1	24	#4	3'-6"	—
Concrete Structures		Cu. Yd.	22.5	
Reinforcement Bars		Pound	2,700	
Name Plates		Each	1	
Test Pile Metal Shell		Each	1	
Metal Pile Shells 14"		Foot	245	

See Sheet 11 for Pile Details.

PILE DATA

Type.....14" Metal Shell Piles
 No. Req'd. (2 Abutments).....*8
 Capacity.....45 Tons/Pile
 Est. Length.....35 Feet/Pile

*Includes 1 Test Pile to be driven in a permanent location at the West Abutment.



DESIGNED	F.J.S.
CHECKED	S.F.M.
DRAWN	S.A.P.
CHECKED	S.F.M.

ABUTMENTS

SECTION 06-01102-01-BR
 BEMENT ROAD DISTRICT
 PIATT COUNTY
 STATION 5+06.55

4443 ASH GROVE
 SPRINGFIELD, IL 62711
 (217) 793-8600
 casinc@insightbb.com

FEHR-GRAHAM & ASSOCIATES, LLC
 ENGINEERING AND SCIENCE CONSULTANTS
 FREEDOM, IL; ROCKFORD, IL; ROCKFORD, IL; SPRINGFIELD, IL.

JOB NO.: 0602
 FILE: 0602ABUT.DGN
 DATE: 05/26/06