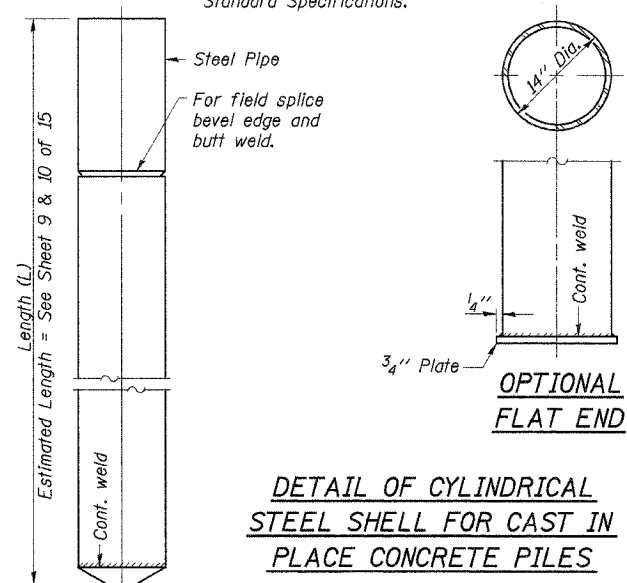


ROUTE NO.	SECTION	COUNTY	TOTAL SHEETS	SHEET NO.
T.R. 167	06-01102-01-BR	PIATT	15	11
ROAD DIST.	ILLINOIS		BEMENT	

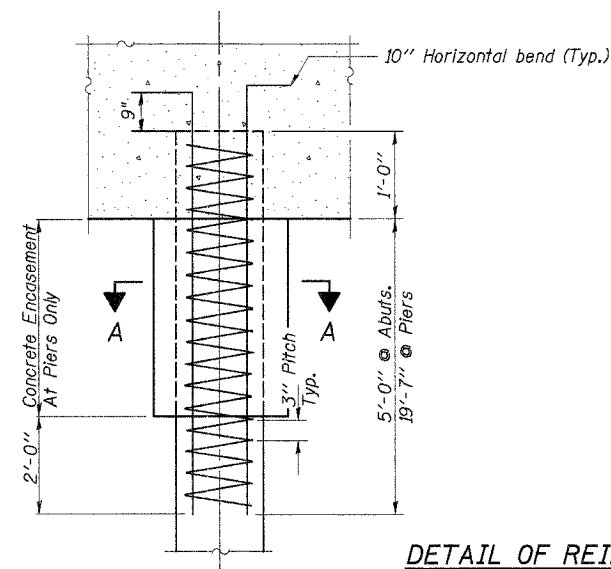
CONTRACT NO. 91364

Notes: Driving and bearing ends of pipe shall be cut square.  
The thickness of the shell shall be 0.25 inches with a tolerance of 5% .  
The shell shall be in accordance with Article 1006.05(a) of the Standard Specifications.

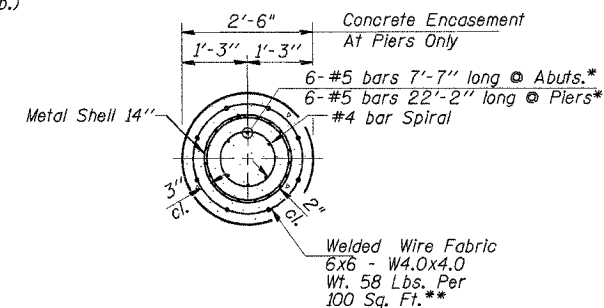


**DETAIL OF CYLINDRICAL STEEL SHELL FOR CAST IN PLACE CONCRETE PILES**

\* The cost of the reinforcement is included in the cost of "Driving and Filling Shells".

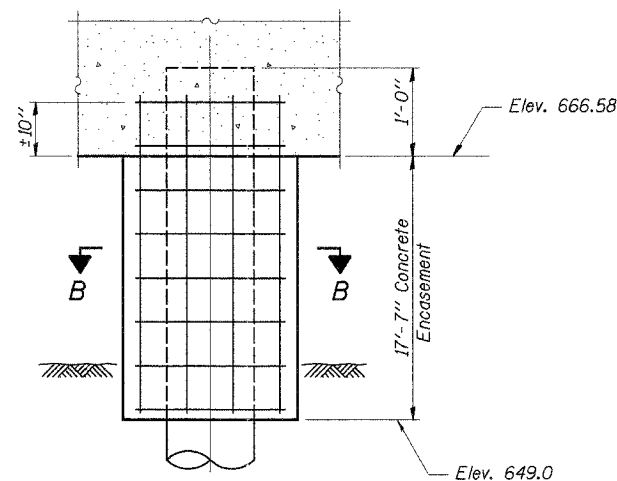


**DETAIL OF REINFORCEMENT FOR METAL SHELLS**

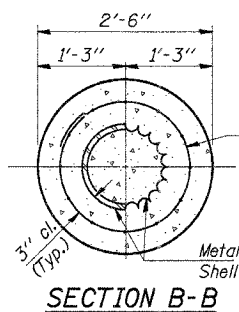


**SECTION A-A**

\*\* The cost of Wire Fabric is included in the cost of Conc. Encasement.



**DETAIL OF METAL SHELL PILE ENCASEMENT AT PIERS**



Welded wire fabric 6 x 6-W4.0 x W4.0 weighing 58#/100 sq. ft. The cost of welded wire fabric is included in the cost of Concrete Encasement.

DESIGNED	F.J.S.
CHECKED	S.F.M.
DRAWN	S.A.P.
CHECKED	S.F.M.

**PILE DETAILS**

SECTION 06-01102-01-BR  
BEMENT ROAD DISTRICT  
PIATT COUNTY  
STATION 5+06.55

4440 ASH GROVE  
SPRINGFIELD, IL 62711  
(217) 793-6600  
oasinc@insightbb.com

**FEHR-GRAHAM & ASSOCIATES, LLC**  
ENGINEERING AND SCIENCE CONSULTANTS  
RESOURCES: ROOFBORO, V. ROCHELLE S. HERRICK, JR. SPRINGFIELD, IL

JOB NO.: 0602  
FILE: 0602PILES.dgn  
DATE: 05/26/06