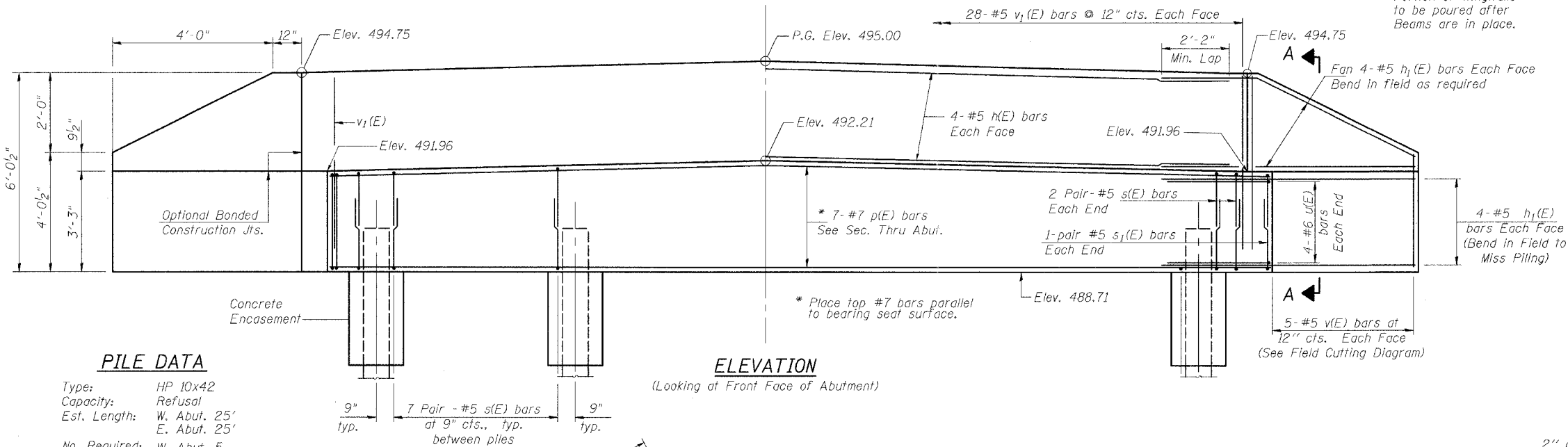


STATE OF ILLINOIS  
DEPARTMENT OF TRANSPORTATION

Note: Backwall and Upper Portion of Wingwalls to be poured after Beams are in place.

ROUTE NO.	SECTION	COUNTY	DATE	SHEET NO.
TR 110	*	SCHUYLER	20	10
FED. ROAD DIST. NO.	ILLINOIS	FED. AID PROJECT	**	
* 80-03108-00-BR				
** BR05-169(35)				

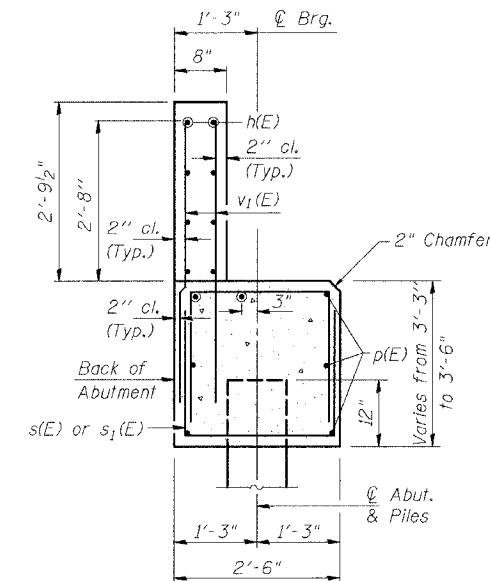
SHEET NO. 4  
5 SHEETS



**ELEVATION**  
(Looking at Front Face of Abutment)

**PILE DATA**

Type: HP 10x42  
Capacity: Refusal  
Est. Length: W. Abut. 25'  
E. Abut. 25'  
No. Required: W. Abut. 5  
E. Abut. 4  
Test Pile: 1 @ E. Abut.)



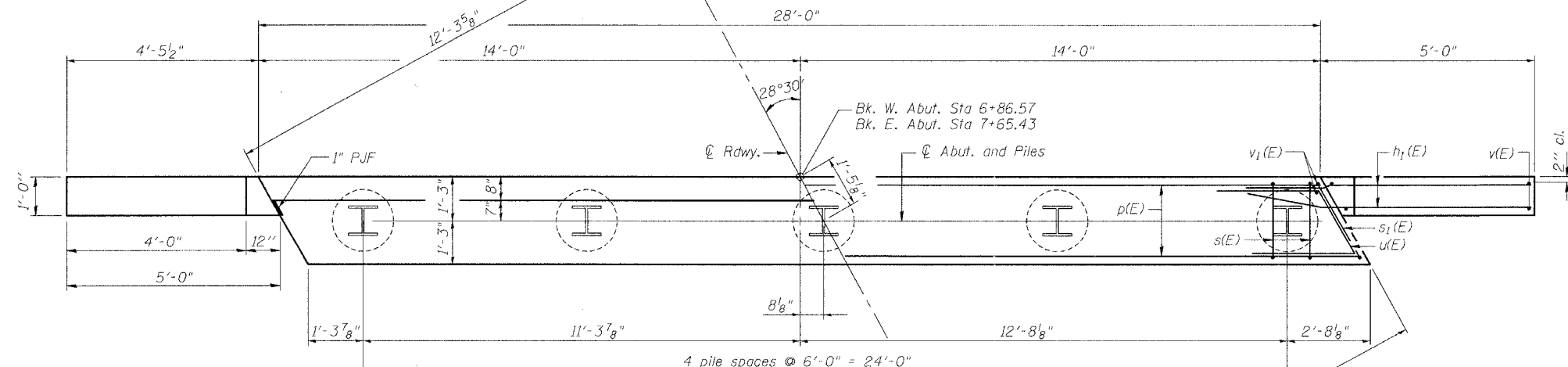
**SEC. THRU ABUT.**

**SEC. A-A**

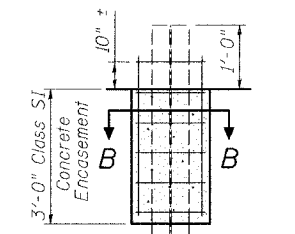
**TWO ABUTMENTS  
BILL OF MATERIAL**

Bar	No.	Size	Length	Shape
v(E)	16	#5	27'-8"	—
h1(E)	64	#5	7'-7"	—
p(E)	14	#7	27'-8"	—
s(E)	128	#5	7'-8"	U
s1(E)	8	#5	8'-0"	U
u(E)	16	#6	12'-3"	—
v1(E)	20	#5	9'-3"	—
v1(E)	112	#5	4'-10"	—
Concrete Structures	Cu. Yd.	25.0		
Reinforcement Bars Epoxy Coated	Pound	3910		
Furnishing Steel Piles HP 10x42	Foot	225		
Driving Steel Piles HP 10x42	Foot	225		
Test Pile Steel HP 10x42	Each	1		

Note: Reinforcement bars designated (E) shall be epoxy coated.

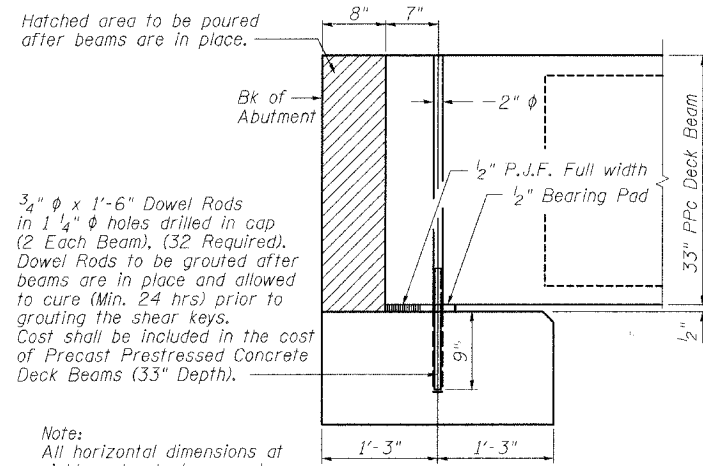


**PLAN**

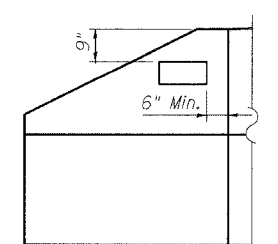


**SECTION B-B  
PILE ENCASEMENT DETAIL**

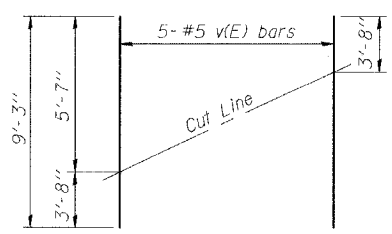
Welded wire fabric 6x6 - W4.0xW4.0 weighing 58#/100 sq. ft. The cost of Excavation, Class SI Concrete Encasement and Reinforcement is included with furnishing piles. Form for encasement may be omitted when soil conditions will permit.



**TYP. SEC. AT BEARINGS**

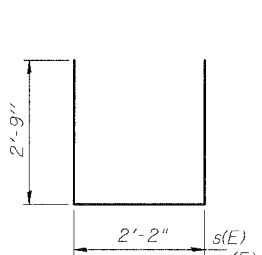


**NAME PLATE LOCATION**  
Elevation - S.W. Wing

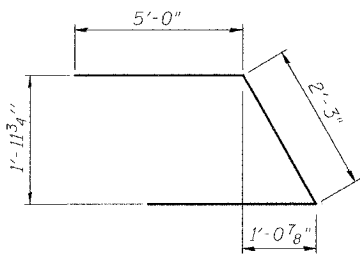


**FIELD CUTTING DIAGRAM**

Order v(E) full length. Cut as shown and use remainder of bars in opposite face.



**BARS s(E) & s1(E)**



**BAR u(E)**

REVISIONS	
NAME	DATE

ILLINOIS DEPARTMENT OF TRANSPORTATION  
**ABUTMENTS**  
TR 110 OVER WILLOW CREEK  
STA. 7+26.00  
SCHUYLER COUNTY  
S.N. 085-4307

SCALE: VERT. DATE: 9/8/04  
DRAWN BY: LANDREY  
DESIGNED BY: MATHUR  
CHECKED BY: TRELLO

GREENE & BRADFORD, INC.  
CONSULTING ENGINEERS  
1100 N. WILLOW CREEK  
ST. LOUIS, MO 63108  
PH: 314.444.1300 FAX: 314.444.1301

COMPUTER FILE NO. 02341ABUT.dgn  
PROJECT 02341  
4/7/06-MML

FILE NAME = J:\02341\DRAWINGS\SN085-4307\SN0854307\_AB.dgn  
PLOT SCALE = 50%  
PLOT DATE = 6/25/2006  
PLOT TIME = 11:05 AM  
OPERATOR = michaell

AI-L 4-30-99