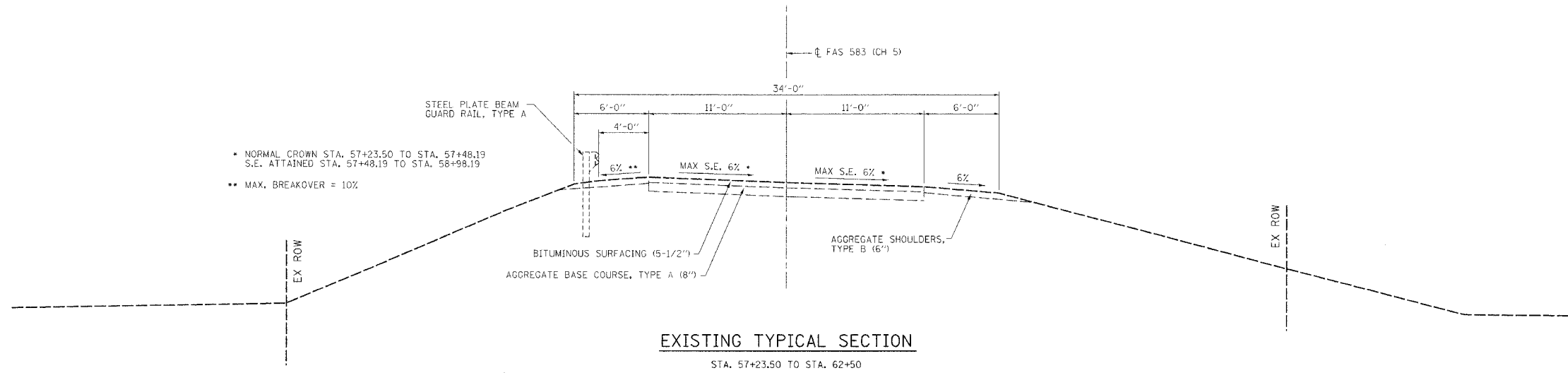
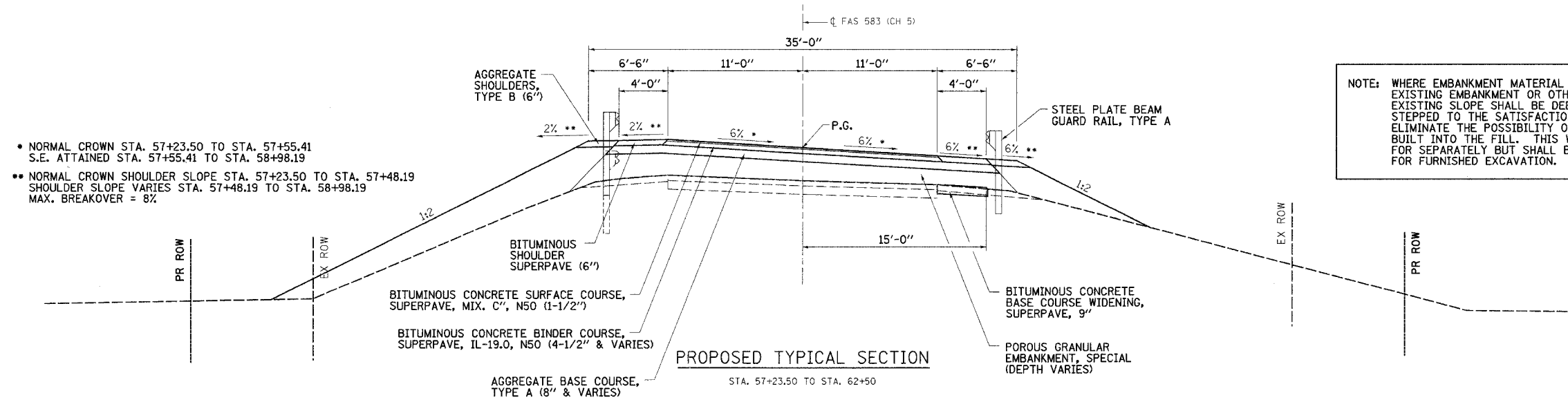


F.A.S. RTE.	SECTION	COUNTY	TOTAL SHEETS	SHEET NO.
583	****	SCHUYLER	56	5
STA. TO STA.		ILLINOIS FED. AID PROJECT **		
FED. ROAD DIST. NO.		** SECTION 02-00067-00-BR		
		** BRS-583(111)		



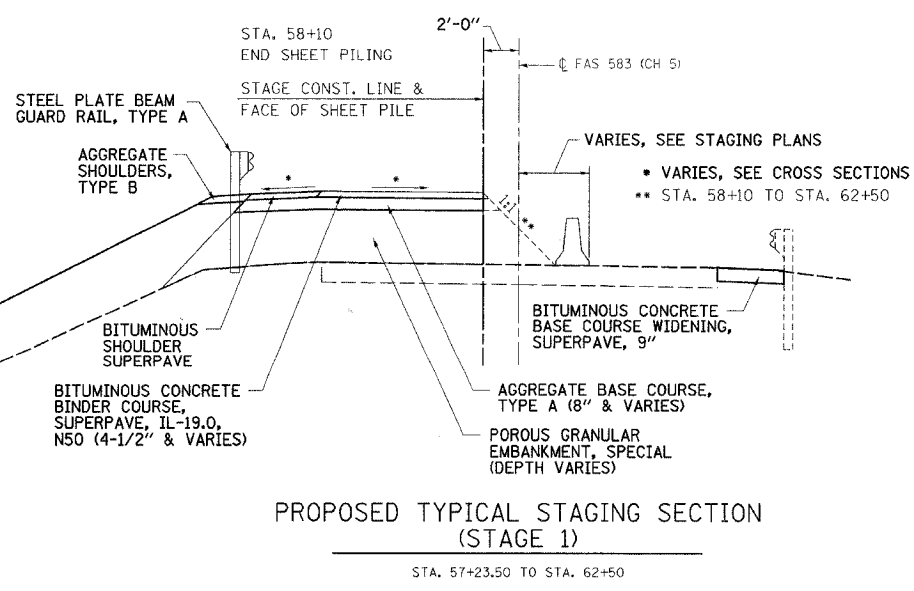
EXISTING TYPICAL SECTION
STA. 57+23.50 TO STA. 62+50



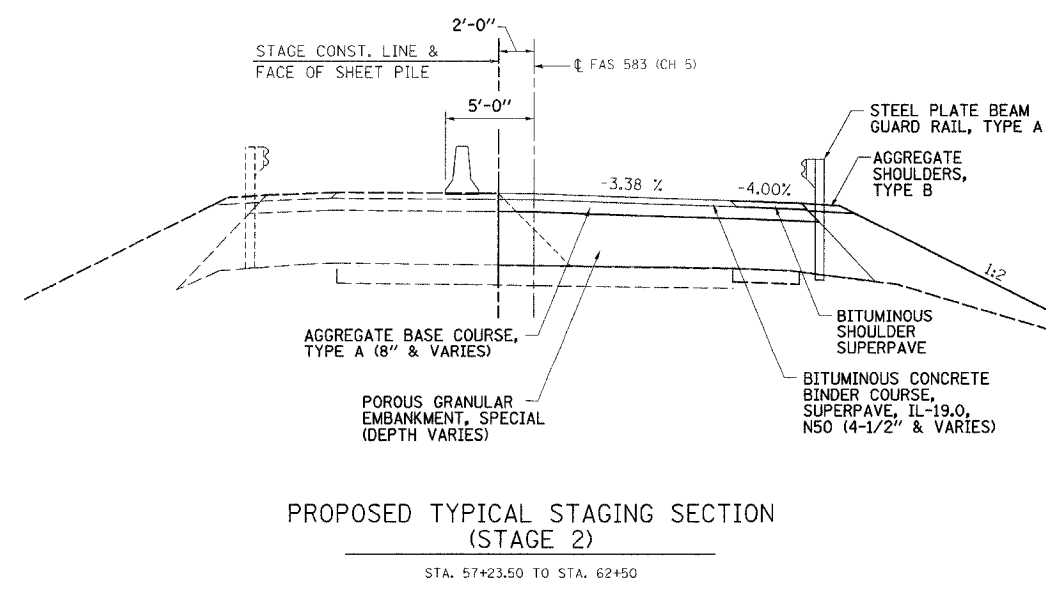
PROPOSED TYPICAL SECTION
STA. 57+23.50 TO STA. 62+50

NOTE: WHERE EMBANKMENT MATERIAL IS BEING PLACED ON THE EXISTING EMBANKMENT OR OTHER SLOPED SURFACE, THE EXISTING SLOPE SHALL BE DEEPLY PLOWED, BENCHED OR STEPPED TO THE SATISFACTION OF THE ENGINEER TO ELIMINATE THE POSSIBILITY OF A SHEAR PLANE BEING BUILT INTO THE FILL. THIS WORK SHALL NOT BE PAID FOR SEPARATELY BUT SHALL BE INCLUDED IN THE COST FOR FURNISHED EXCAVATION.

- NORMAL CROWN STA. 57+23.50 TO STA. 57+55.41 S.E. ATTAINED STA. 57+55.41 TO STA. 58+98.19
- NORMAL CROWN SHOULDER SLOPE STA. 57+23.50 TO STA. 57+48.19 SHOULDER SLOPE VARIES STA. 57+48.19 TO STA. 58+98.19 MAX. BREAKOVER = 8%



PROPOSED TYPICAL STAGING SECTION (STAGE 1)
STA. 57+23.50 TO STA. 62+50



PROPOSED TYPICAL STAGING SECTION (STAGE 2)
STA. 57+23.50 TO STA. 62+50

PLOT DATE = 5/04/06
FILE NAME = 02157TYP
DRAWN BY = SUTHEARD
CHECKED BY = BOTT
OPERATOR = MDS

REVISIONS	
NAME	DATE

ILLINOIS DEPARTMENT OF TRANSPORTATION
TYPICAL SECTIONS
FAS 583 (CH 5) OVER LAMOINE RIVER
SEC. 02-00067-00-BR
SCHUYLER COUNTY

SCALE: VERT. DATE 5/05/06
HORIZ. DATE 5/05/06
DRAWN BY SUTHEARD
CHECKED BY BOTT

GREENE & BRADFORD, INC.
OF SPRINGFIELD
CONSULTING ENGINEERS
PROFESSIONAL ENGINEER, STATE NO. 001-000000
PROFESSIONAL DESIGNER, STATE NO. 001-000000
1201 W. 84th, Ste. 100, Oak Brook, IL 60151
TEL: 708-584-1200 FAX: 708-584-1201

COMPUTER FILE NO. 02157TYP
PROJECT 02157
8/04/06 - MDS