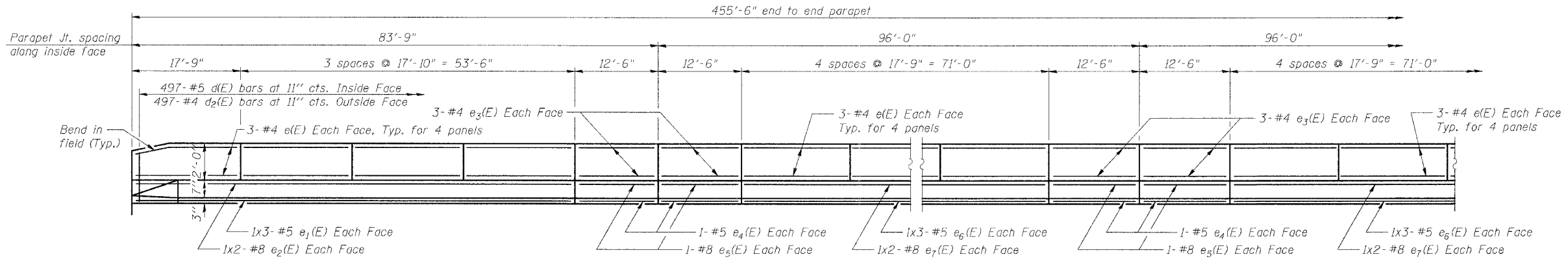


STATE OF ILLINOIS
DEPARTMENT OF TRANSPORTATION

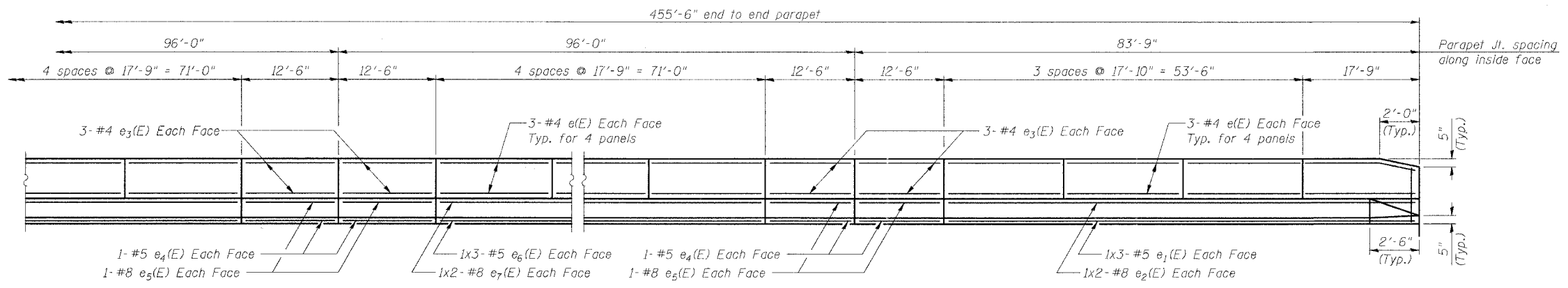
ROUTE NO.	SECTION	COUNTY	DISTRICT	SHEET NO.
FAS 583	*	SCHUYLER	56	28
SHEET NO. 9 26 SHEETS				

* 02-00067-00-BR
Contract #

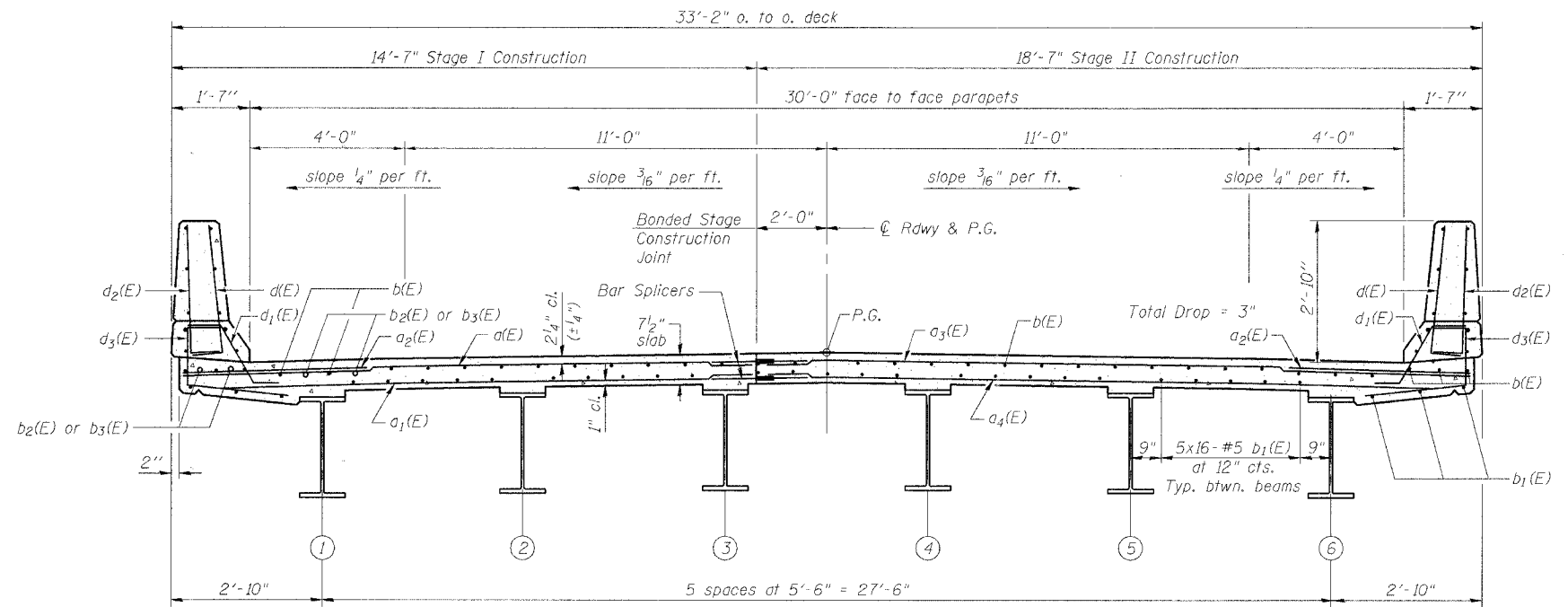


MIN. BAR LAP

#5 bars = 1'-8"
#8 bars = 3'-5"



INSIDE ELEVATION OF PARAPET



CROSS SECTION
(Looking East)

ILLINOIS DEPARTMENT OF TRANSPORTATION
SUPERSTRUCTURE DETAILS
FAS 583 (CH5) OVER LAMOINE RIVER
SECTION 02-00067-00-BR
SCHUYLER COUNTY
STATION 54+95.75
S.N. 085-3054

REVISIONS	
NAME	DATE

SCALE: VERT. DRAWN BY: LANDREY
HORIZ. DESIGNED BY: MATHUR
DATE: 6/7/05 CHECKED BY: TRELLO

GREENE & BRADFORD, INC.
CONSULTING ENGINEERS
OF SPRINGFIELD
PROFESSIONAL ENGINEERS
REGISTERED IN ILLINOIS
OFFICE: 1001 N. 11TH ST., SPRINGFIELD, ILL. 62761-1001
TEL: 217-223-1111 FAX: 217-223-1112

COMPUTER FILE NO.
SN0853054.SS2
PROJECT 02157
6/2/06-MML

FILE NAME = I:\02157\Drawings\18085-3054\SN0853054.SS2.dgn
DATE = 8/10/2006
PLOT DATE = 7/4/06 11:57 AM
PLOT TIME = 7:45:37 AM
OPERATOR = michellel

S-1-D 8-02-04