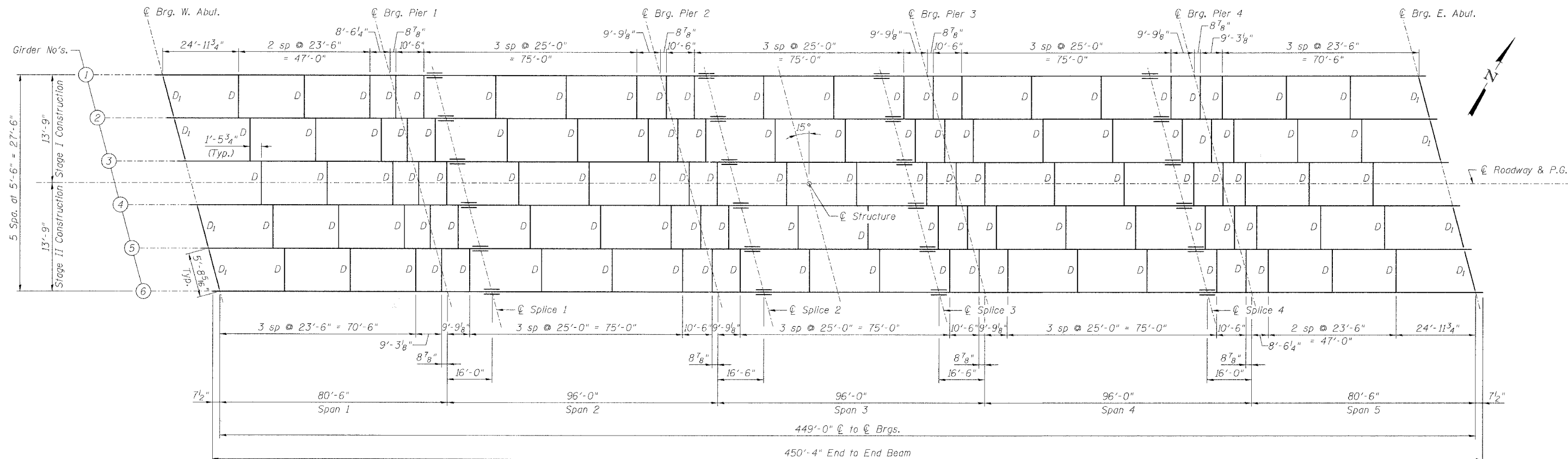


STATE OF ILLINOIS
DEPARTMENT OF TRANSPORTATION

ROUTE NO. FAS 583	SECTION *	COUNTY SCHUYLER	TOTAL SHEETS 56	SHEET NO. 31
-------------------------	--------------	--------------------	--------------------	-----------------

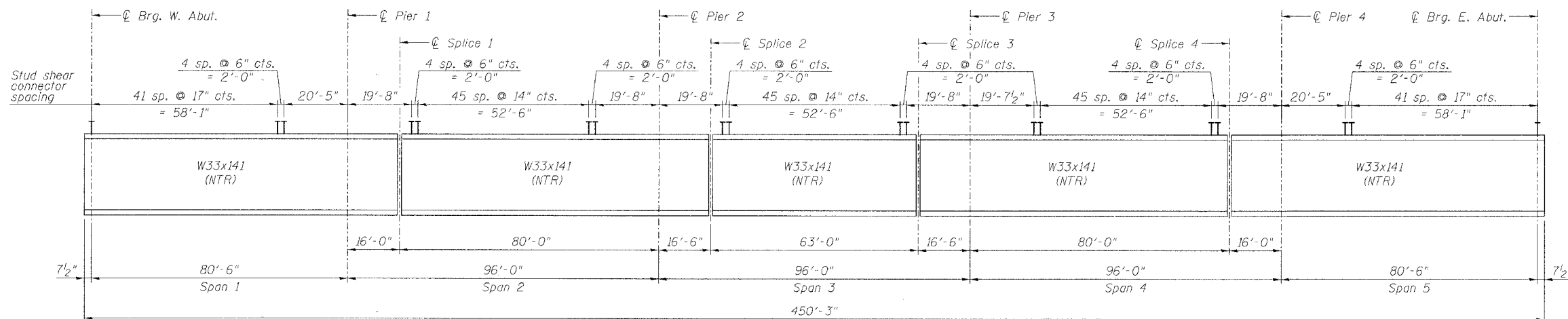
SHEET NO. 12
26 SHEETS

* 02-00067-00-BR
Contract #



FRAMING PLAN

(All beams W33x141 - M270 Gr. 50)
(NTR denotes members to which notch toughness requirements are applicable)



ELEVATION

ILLINOIS DEPARTMENT OF TRANSPORTATION

FRAMING PLAN

FAS 583 (CHS) OVER LAMOINE RIVER
SECTION 02-00067-00-BR
SCHUYLER COUNTY
STATION 54+95.75
S.N. 085-3054

REVISIONS	
NAME	DATE

SCALE: VERT. DRAWN BY: LANDREY
HORIZ. DESIGNED BY: MATHUR
DATE: 6/7/05 CHECKED BY: TRELLO

	GREENE & BRADFORD, INC. OF SPRINGFIELD CONSULTING ENGINEERS REGISTERED PROFESSIONAL ENGINEERS ILLINOIS LICENSE NO. 02157 PROFESSIONAL DESIGNER LICENSE NO. 02157 1211 7th Street, Springfield, Illinois 62761-1000 417-793-8841 (527) 793-8227 FAX 417-793-8842	COMPUTER FILE NO. SN0853054_FRP PROJECT 02157 6/2/06-MML
--	--	--

FILE NAME = J:\02157\Drawings\SP085-3054\SN0853054_FRP.dgn
E = 8/10/2006
PLOT DATE = 7:45:43 AM
PLOT TIME = 7:45:43 AM
OPERATOR = michellel