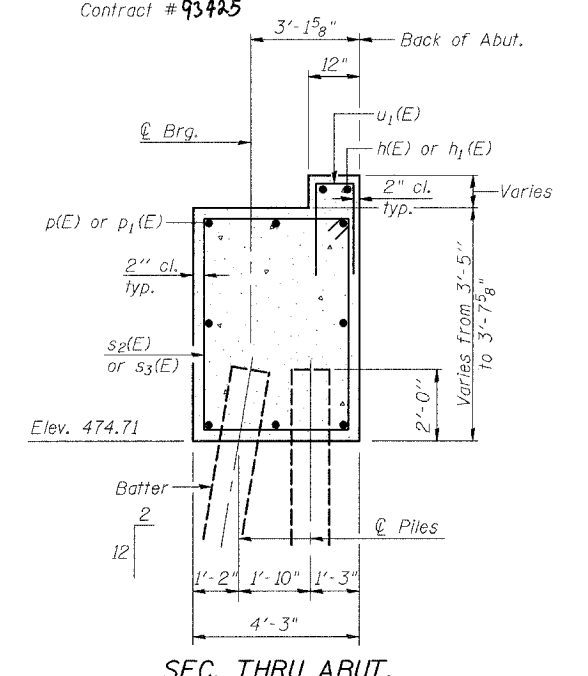
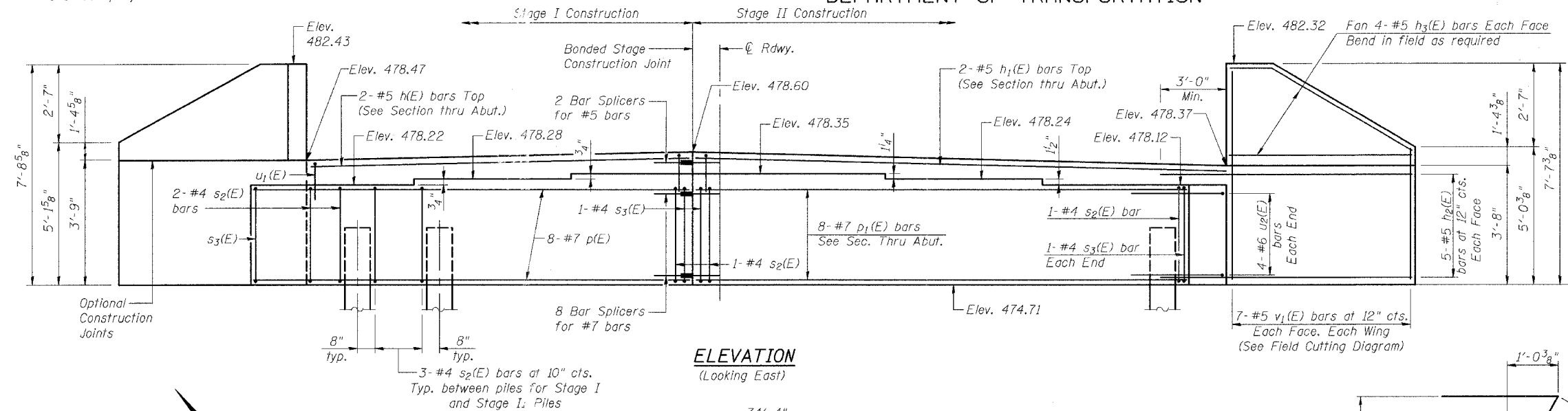


STATE OF ILLINOIS
DEPARTMENT OF TRANSPORTATION

ROUTE NO.	SECTION	COUNTY	SHEETS	SHEET NO.	SHEET NO. 16
FAS 583	*	SCHUYLER	56	35	26 SHEETS
FED. ROAD DIST. NO.	ILLINOIS	FED. AID PROJECT			

* 02-00067-00-BR
Contract # 93425

Notes: Pour steps monolithically with cap.
Reinforcement bars designated (E)
shall be epoxy coated.



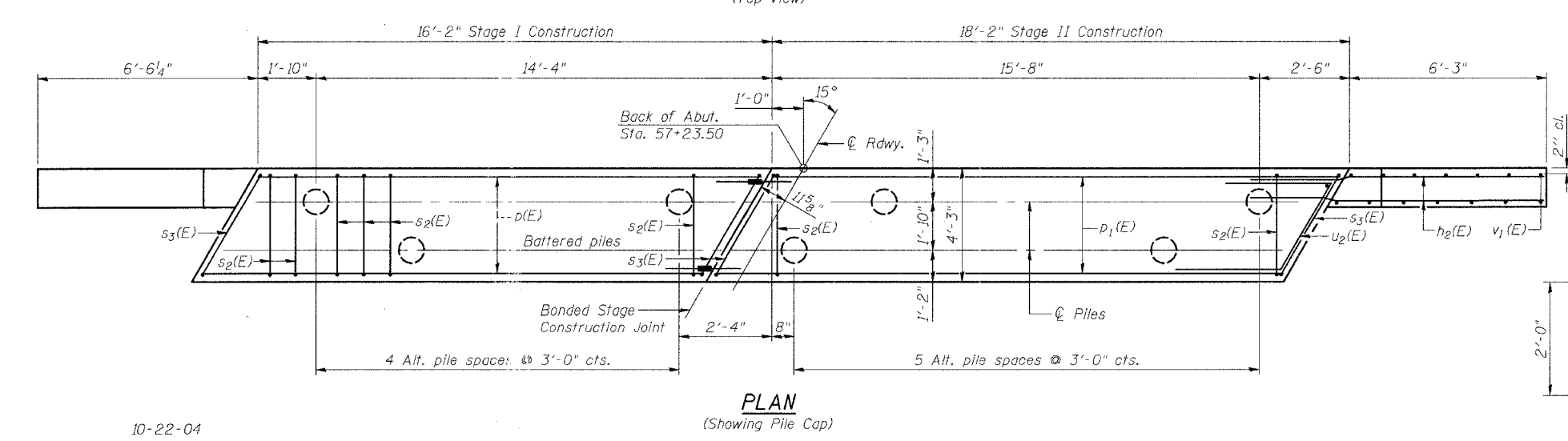
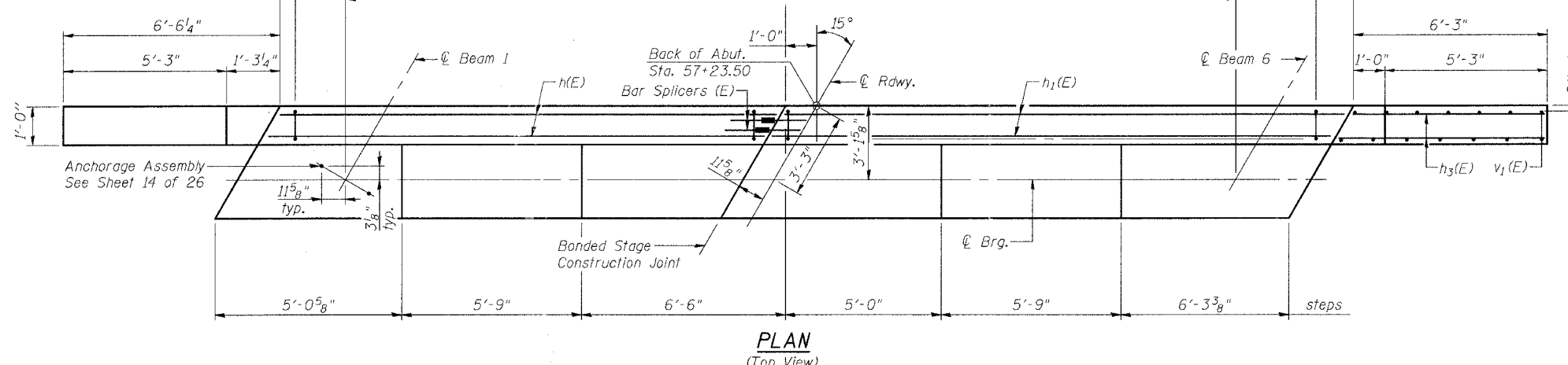
**EAST ABUTMENT
BILL OF MATERIAL**

Bar No.	Size	Length	Shape
h(E)	2 #5	15'-10"	—
h1(E)	2 #5	17'-10"	—
h2(E)	20 #5	9'-0"	—
h3(E)	16 #5	6'-0"	—
p(E)	8 #7	15'-10"	—
p1(E)	8 #7	17'-10"	—
s2(E)	32 #4	14'-11"	□
s3(E)	4 #4	15'-3"	□
u1(E)	34 #5	4'-8"	□
u2(E)	8 #6	12'-5"	□
v1(E)	14 #5	12'-1"	—

Item	Unit	Quantity
Concrete Structures	Cu. Yd.	23.3
Reinforcement Bars, Epoxy Coated	Pound	1770
Structure Excavation	Cu. Yd.	38
Furnishing Metal Pile Shells, 12"	Foot	650
Driving and Filling Shells	Foot	650
Test Pile Metal Shells	Each	1

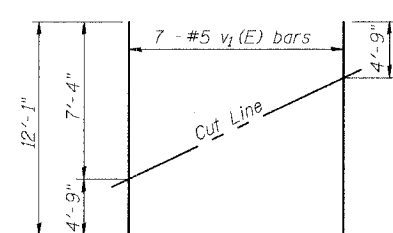
PILE DATA

Type: 12" ϕ Metal Shell w/ 1/4" walls
Capacity: 55 Tons
Est. Length: 65 feet
No. Required: 10 + 1 Test pile

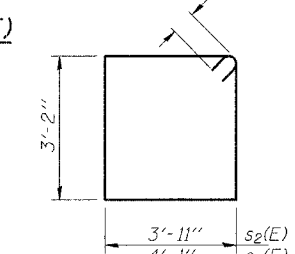


FIELD CUTTING DIAGRAM

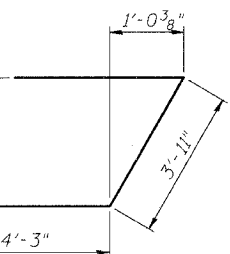
Order v1(E) more full length. Cut as shown and use remainder of bars in opposite face.



BARS s2(E) & s3(E)



BAR u2(E)



BAR u1(E)



ILLINOIS DEPARTMENT OF TRANSPORTATION
EAST ABUTMENT

FAS 583 (CH5) OVER LAMOINE RIVER
SECTION 02-00067-00-BR
SCHUYLER COUNTY
STATION 54+35.75
S.N. 085-3054

SCALE: VERT. HORIZ.
DATE: 6/7/05

DRAWN BY: LANDREY
DESIGNED BY: MATHUR
CHECKED BY: TRELLO

COMPUTER FILE NO.
SN0853054.EAB
PROJECT 02157
10/27/06-MML

GREENE & BRADFORD, INC.
CONSULTING ENGINEERS
200 WEST LEXINGTON STREET
SPRINGFIELD, ILLINOIS 62761
PROFESSIONAL ENGINEER LICENSE NO. 085-000003
ILLINOIS PROFESSIONAL ENGINEERING BOARD
OFFICE: 217-789-4242, FAX: 217-789-4227, E-MAIL: gbradford@greeneng.com

FILE NAME: I:\PROJECTS\DRAWINGS\3085-3054\SN0853054.EAB.dgn
PLOT SCALE: 1/8"=1'-0"
PLOT DATE: 10/27/2006
PLOT TIME: 15:03:31 PM
OPERATOR: michelle

AI-R 10-22-04