

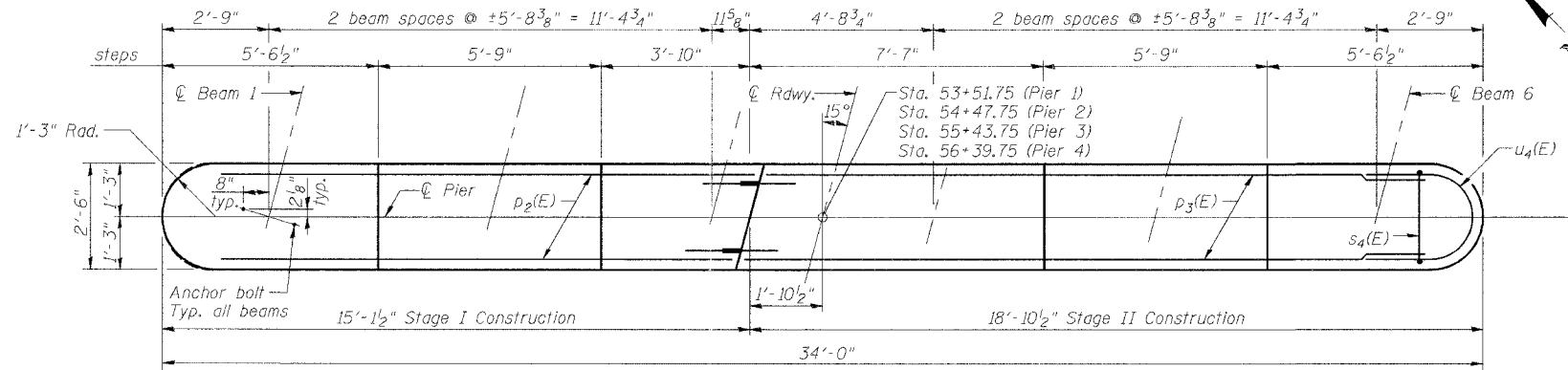
STATE OF ILLINOIS
DEPARTMENT OF TRANSPORTATION

ROUTE NO.	SECTION	COUNTY	STATION	SHEET NO.	SHEET NO. 17 26 SHEETS
FAS 583	*	SCHUYLER	56	36	
FED. ROAD DIST. NO.		ILLINOIS	FED. AID PROJECT-		
* 02-00067-00-BR Contract # 888428					

Notes:
Space reinforcement in cap to miss anchor bolts.
Four steps monolithically with cap.

PILE DATA

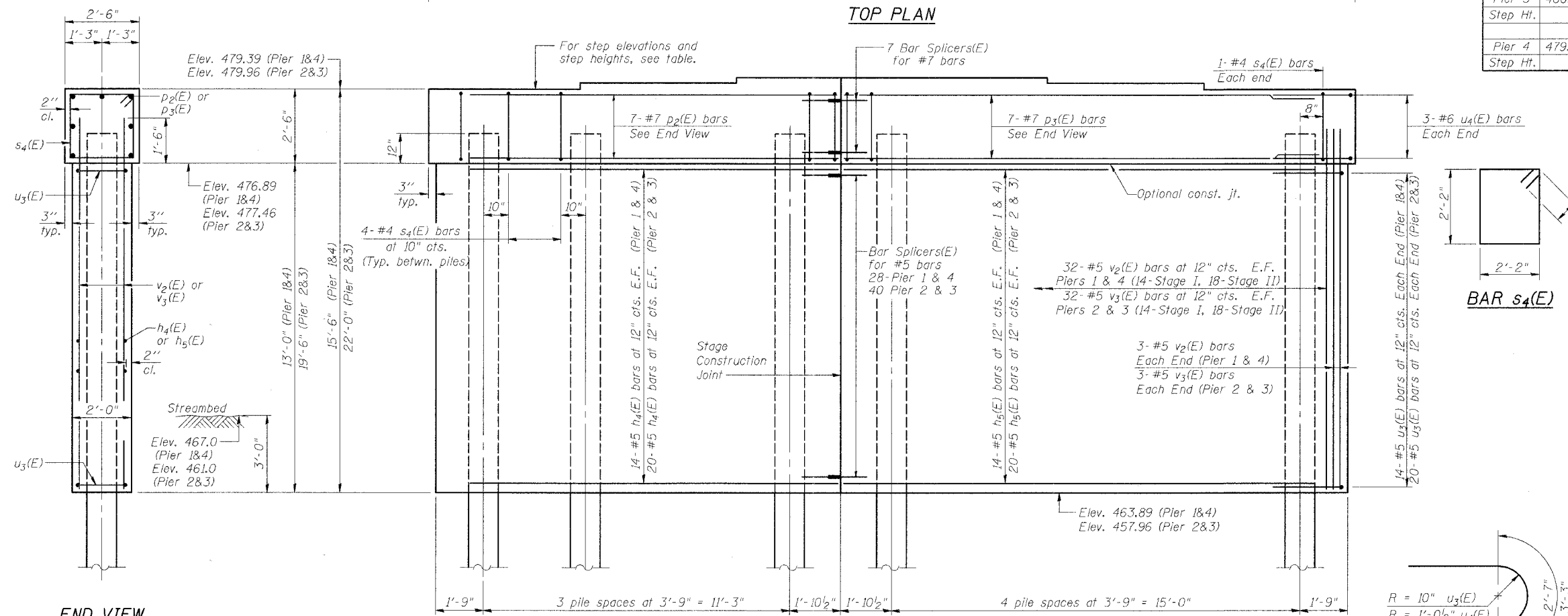
Type: 12" Metal Shell with 1/4" walls
Capacity: 55 Tons piers 1, & 4;
60 Tons piers 2, & 3;
Est. Length: 65' - Pier 1, Pier 2, Pier 3, & Pier 4;
No. Req'd: 8 + 1 Test pile (Pier 1)
9 (Pier 2)
8 + 1 Test pile (Pier 3)
9 (Pier 4)



SEAT ELEVATIONS AND STEP HEIGHTS

Location	Beam 1	Beam 2	Beam 3	Beam 4	Beam 5	Beam 6
Pier 1	479.39	479.52	479.62	479.62	479.56	479.47
Step Ht.		1 5/8"	1 1/4"	3/4"	1 1/8"	
Pier 2	479.98	480.09	480.18	480.18	480.10	480.00
Step Ht.		1 1/4"	1 1/8"	7/8"	1 1/4"	
Pier 3	480.00	480.10	480.18	480.18	480.09	479.98
Step Ht.		1 1/4"	7/8"	1 1/8"	1 1/4"	
Pier 4	479.47	479.56	479.62	479.62	479.52	479.39
Step Ht.		1 1/8"	7/8"	1 3/8"	1 5/8"	

TOP PLAN



**FOUR PIERS
BILL OF MATERIAL**

Bar	No.	Size	Length	Shape	
h4(E)	136	#5	13'-7"	—	
h5(E)	136	#5	17'-4"	—	
p2(E)	28	#7	13'-6"	—	
p3(E)	28	#7	17'-3"	—	
s4(E)	136	#4	9'-5"	□	
u3(E)	136	#5	8'-7"	U	
u4(E)	24	#6	10'-5"	U	
v2(E)	140	#5	14'-6"	—	
v3(E)	140	#5	21'-0"	—	
Concrete Structures				Cu. Yd.	172.1
Reinforcement Bars, Epoxy Coated				Pound	13,780
Furnishing Metal Pile Shells, 12"				Foot	2210
Structure Excavation				Cu. Yd.	100
Driving and Filling Shells				Foot	2210
Test Pile Metal Shells				Each	2
Underwater Structure Excavation Protection (Location 1)				Each	1
Underwater Structure Excavation Protection (Location 2)				Each	1

Reinforcement Bars designated (E) shall be epoxy coated.

ILLINOIS DEPARTMENT OF TRANSPORTATION

PIERS 1, 2, 3 & 4

FAS 583 (CHS) OVER LAMOINE RIVER
SECTION 02-00067-00-BR
SCHUYLER COUNTY
STATION 54+95.75
S.N. 085-3054

REVISIONS	
NAME	DATE

SCALE: VERT. HORIZ.
DATE: 6/7/05
DRAWN BY: LANDREY
DESIGNED BY: MATHUR
CHECKED BY: TRELLO
GREENE & BRADFORD, INC.
CONSULTING ENGINEERS
PROFESSIONAL ENGINEERS
COMPUTER FILE NO. SN0853054.PR
PROJECT 02157
6/2/06-MML

FILE NAME = I:\02157\civ\ings\sn085-3054\SN0853054.PR.dgn
PLOT DATE = 8/10/2006
PLOT TIME = 7:46:06 AM
OPERATOR = michelle

PC-1 10-22-04

SECTION B-B

