

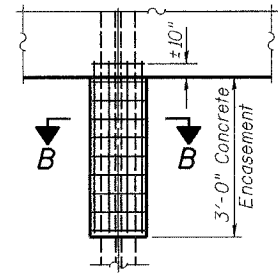
STATE OF ILLINOIS
DEPARTMENT OF TRANSPORTATION

ROUTE NO.	SECTION	COUNTY	SHEET NO.	SHEET NO.
S.B.I. 1	(8C)B-2	WABASH	36	27
FED. ROAD DIST. NO. 7	S.L. NOTE	FED. AID PROJECT		

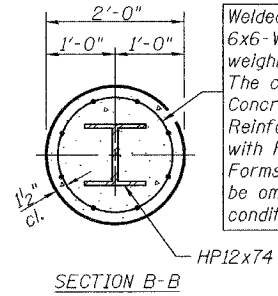
Contract #94783

PILE DATA

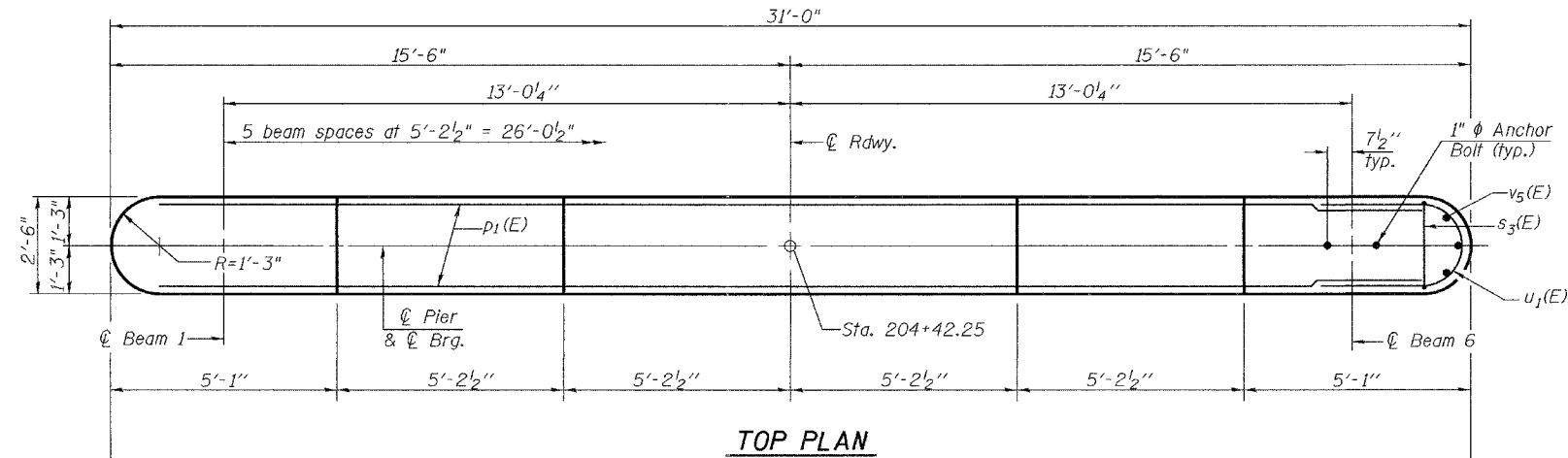
Type: Steel HP12x74
Nominal Req'd. Bearing: 458 kips
Factored Resistance Available: 229 kips
Est. Length: 60'
No. Required: 6



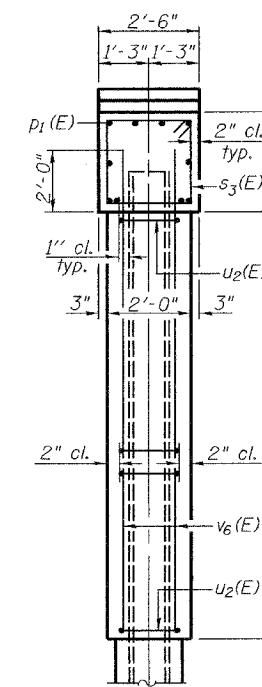
Welded wire fabric
6x6-W4.0xW4.0
weighing 58#/100 sq. ft.
The cost of Excavation,
Concrete Encasement and
Reinforcement is included
with Furnishing Piles.
Forms for Encasement may
be omitted when soil
conditions permit.



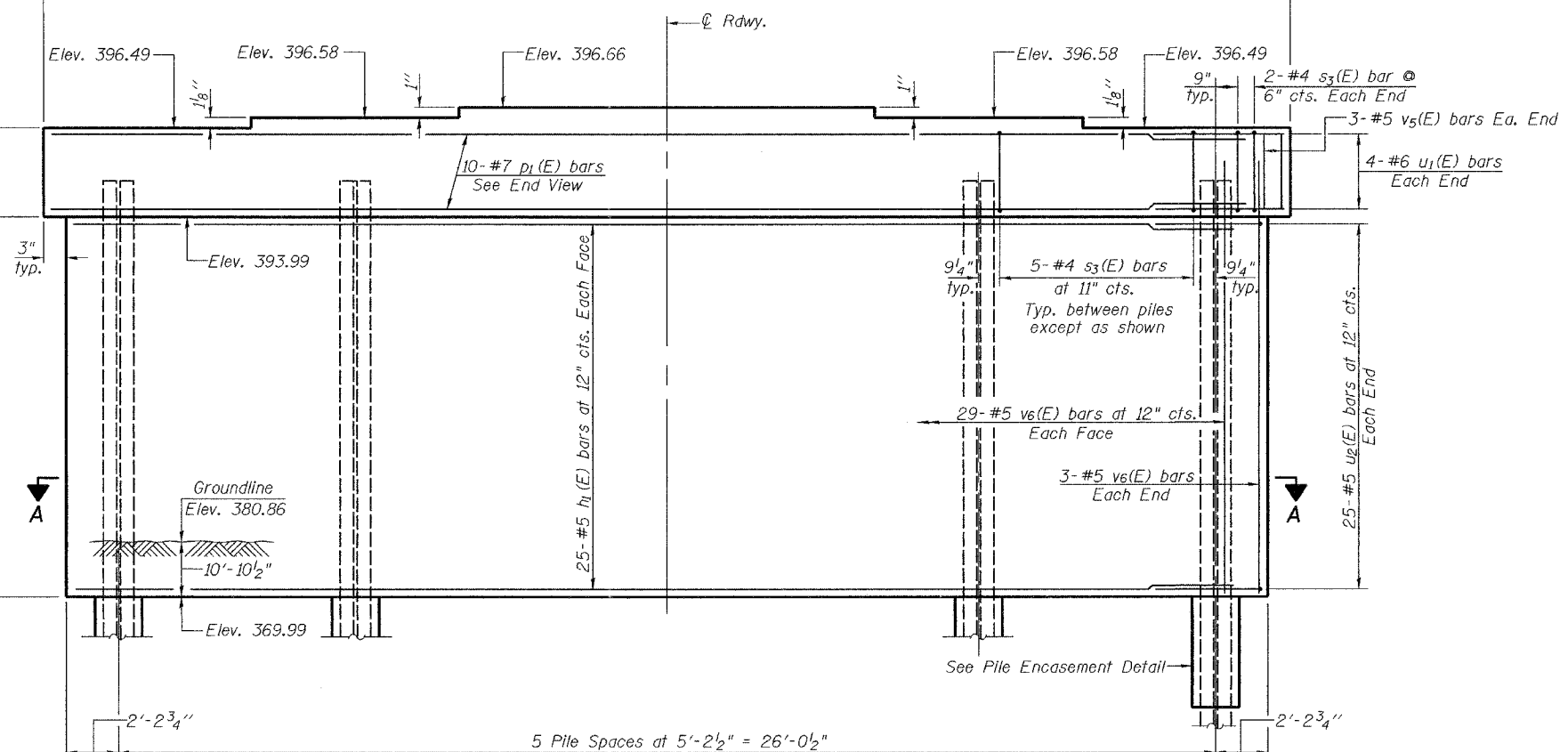
PILE ENCASEMENT DETAILS



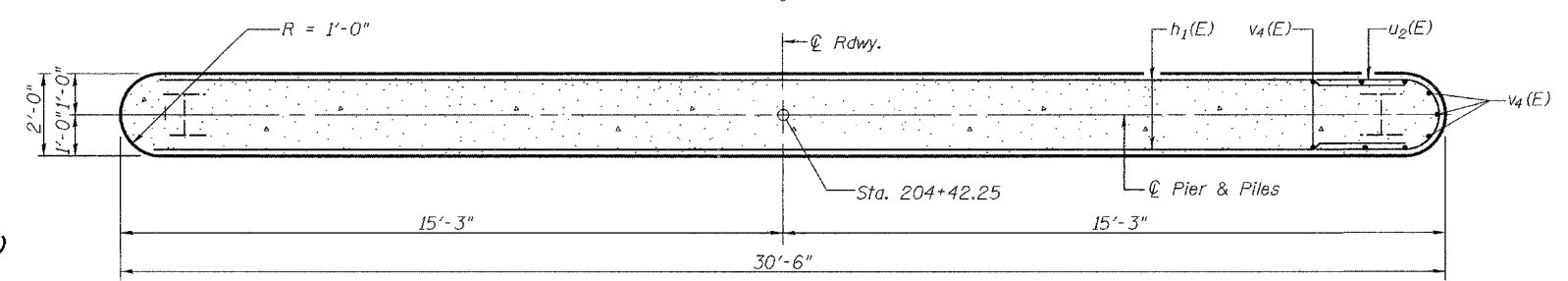
TOP PLAN



END VIEW



ELEVATION
(Looking East)

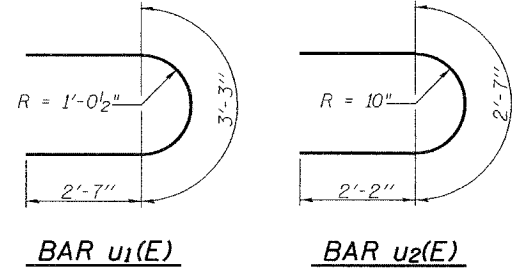
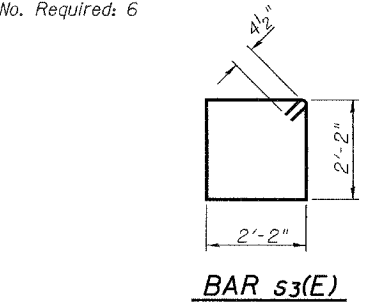


SECTION A-A

Notes:
Pour steps monolithically with cap.
Reinforcement bars designated (E) shall be epoxy coated.
For anchor bolt installation details see sheet 12 of 21.
Place Reinforcement bars in Cap to miss Anchor Bolts.

DESIGNED	Dewey Coultas
CHECKED	Chi Cheung Chau
DRAWN	R. Sommer
CHECKED	D.H.C./C.C.C.

EXAMINED	September 18 2006 Thomas J. Domagala ENGINEER OF BRIDGE DESIGN
PASSED	Ralph E. Anderson ENGINEER OF BRIDGES AND STRUCTURES



BILL OF MATERIAL

Bar	No.	Size	Length	Shape
h1(E)	50	#5	28'-6"	—
p1(E)	10	#7	28'-6"	—
s3(E)	29	#4	9'-5"	□
u1(E)	8	#6	8'-5"	U
u2(E)	50	#5	6'-11"	U
v6(E)	64	#5	25'-10"	—
v5(E)	6	#5	2'-2"	—
Concrete Structures		Cu. Yd.	60.8	
Reinforcement Bars, Epoxy Coated		Pound	4450	
Furnishing Steel Piles HP12x74		Foot	360	
Structure Excavation		Cu. Yd.	80.2	
Driving Piles		Foot	360	
Underwater Structure Excavation Protection Location 1		Each	1	

PIER 2
S.B.I. RT. 1 SEC. (8C)B-2
WABASH COUNTY
STATION 204+42.25
STRUCTURE No. 093-0022