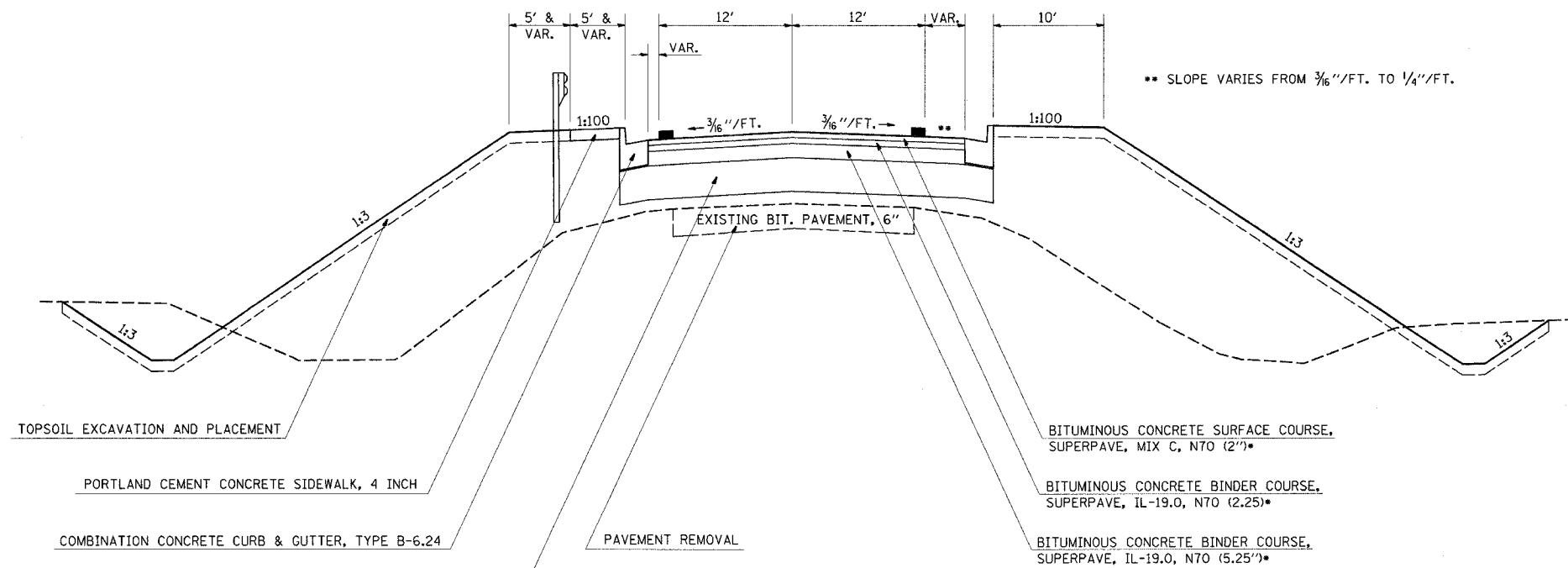


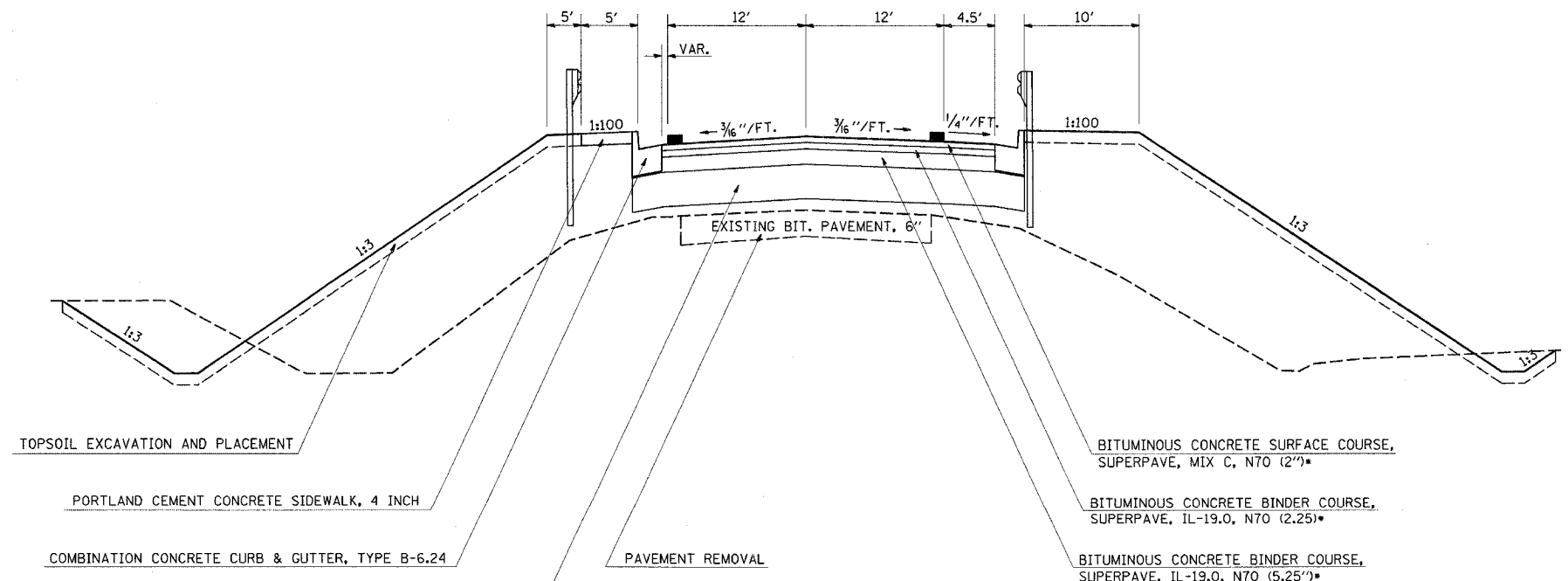
F.A.I. RTE.	SECTION	COUNTY	TOTAL SHEETS	SHEET NO.
*	(25-4 HB-1)B	EFFINGHAM	67	6
STA. TO STA.				
FED. ROAD DIST. NO.		ILLINOIS FED. AID PROJECT		

\* FAI RTE. 57/70



**TYPICAL SECTION**

STA. 46+27.53 TO STA. 47+30.02  
STA. 52+25.43 TO STA. 53+28.33



**TYPICAL SECTION**

STA. 46+27.53 TO STA. 48+51.76  
STA. 51+45.92 TO STA. 52+25.43

**STRUCTURAL DESIGN INFORMATION**

STRUCTURAL DESIGN TRAFFIC: YEAR 2016 ADT 5354  
PV = 5129 SU = 188 MU = 38  
ROAD / STREET CLASSIFICATION: CLASS II  
PERCENT OF STRUCTURAL DESIGN TRAFFIC IN DESIGN LANE:  
P = 0.5 S = 0.5 M = 0.5  
MINIMUM TRAFFIC FACTOR = 0.5  
MINIMUM SOIL SUPPORT: IBR = 2

\* BITUMINOUS CONCRETE PAVEMENT (FULL DEPTH), SUPERPAVE, 9 1/2"

REVISIONS	
NAME	DATE

ILLINOIS DEPARTMENT OF TRANSPORTATION

**TYPICAL SECTIONS**

SCALE: VERT. DATE  
HORIZ. CHECKED BY  
DRAWN BY

PLOT DATE = 8/24/2006  
FILE NAME = #FILE#  
USER NAME = dbraxt