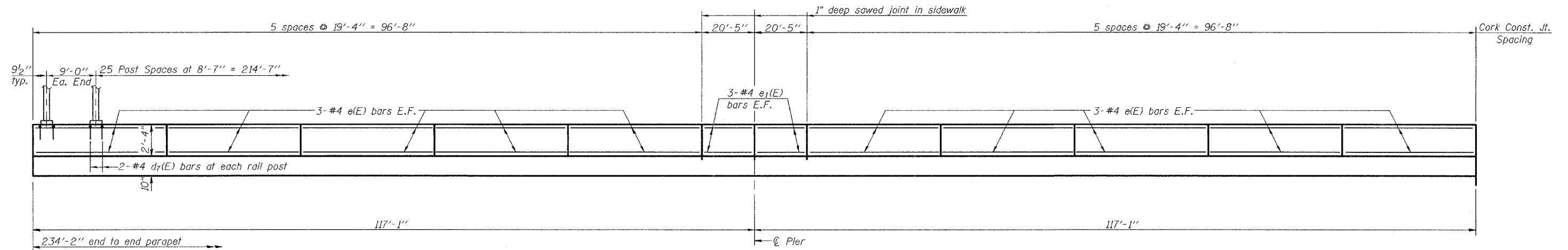


STATE OF ILLINOIS  
DEPARTMENT OF TRANSPORTATION

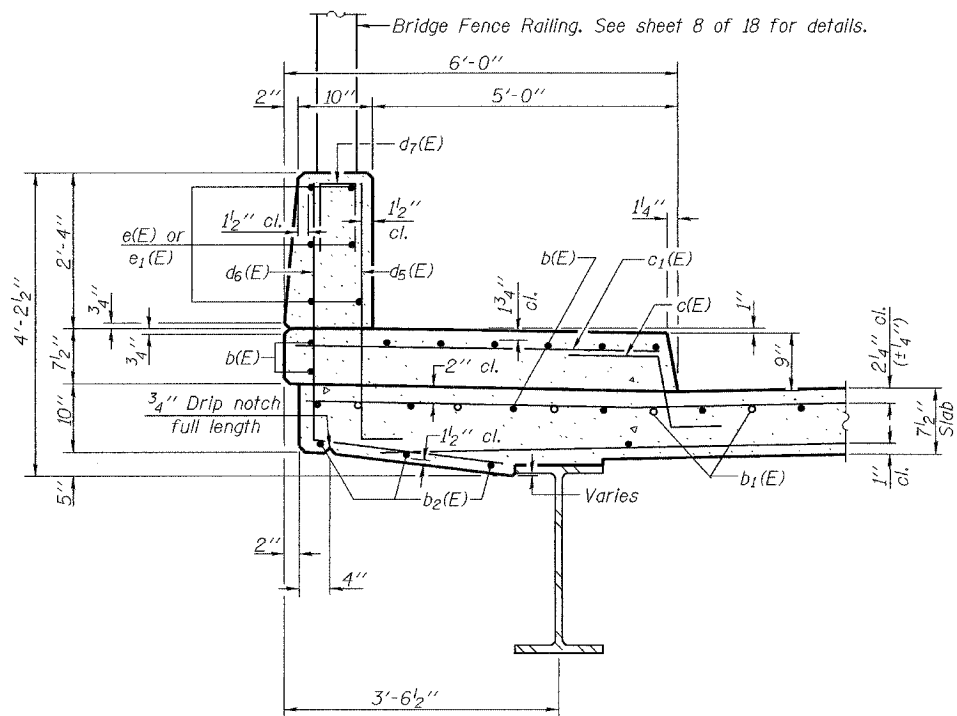
ROUTE NO.	SECTION	COUNTY	SHEET NO.	SHEET NO.
F.A.I. 70	25-4HB-1/B	EFFINGHAM	67	33
FED. ROAD DIST. NO. 7	ILLINOIS	FED. AID PROJECT		

Contract #94785

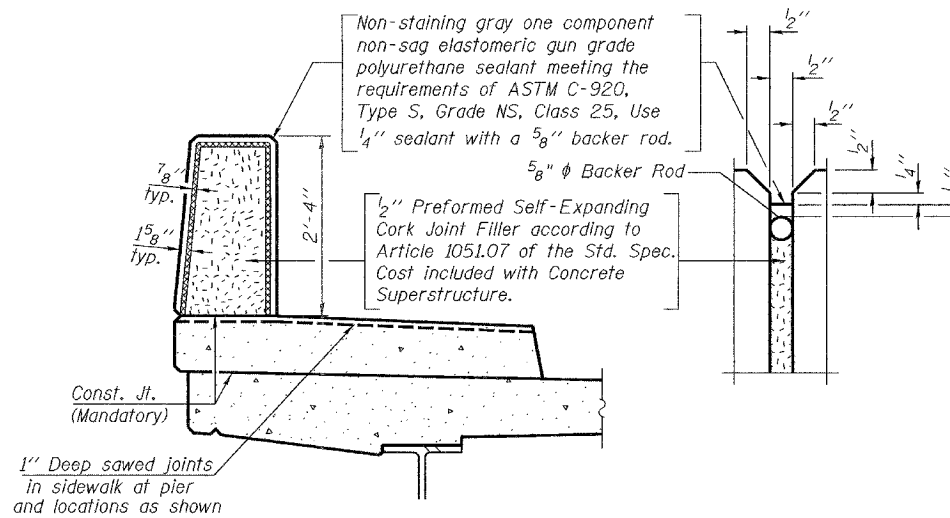


**INSIDE ELEVATION OF EAST PARAPET**

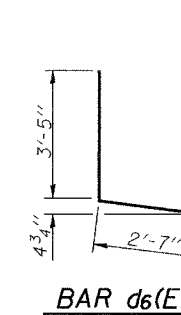
Note: Reinforcement bars designated (E) shall be epoxy coated.  
See sheet 6 of 18 for Bill of Material.



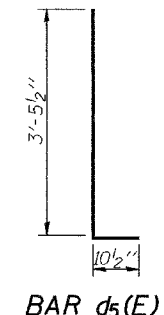
**SECTION THRU EAST PARAPET**



**PARAPET JOINT DETAILS**



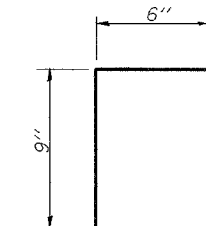
**BAR d6(E)**



**BAR d5(E)**



**BAR c(E)**



**BAR d7(E)**

DESIGNED	Dhruv Narielwala
CHECKED	Steve Ryan
DRAWN	R. Sommer
CHECKED	DPN/SMR

September 28, 2006  
EXAMINED *Thomas J. Domagalaki*  
PASSED *Ralph E. Anderson*  
ENGINEER OF BRIDGES AND STRUCTURES

**SUPERSTRUCTURE DETAILS**  
F.A.I. RT. 70 SEC. (25-4HB-1/B)  
EFFINGHAM COUNTY  
STATION 49+98.84  
STRUCTURE NO. 025-0102