

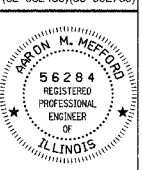
T.R.	SECTION	COUNTY	TOTAL SHEETS	SHEET NO.
82	03-18108-00-BR	WAYNE	12	4
FED. ROAD DIST. NO. 7		ILLINOIS	TURNER CREEK	
PROJECT # BR05-191(49)		CONTRACT # 95476		
LEC JOB # H041.011HM				

323 W. 3RD. ST.  
P.O. BOX 160  
MT. CARMEL, IL  
62863  
PHONE:  
(618)-262-8651  
FAX:  
(618)-263-3327

405 W. STATE ST.  
SUITE 1  
PRINCETON, IN  
47670  
PHONE:  
(812)-386-7611  
FAX:  
(812)-385-2812



PROFESSIONAL  
DESIGN FIRM  
LAND SURVEY &  
PROFESSIONAL  
ENGINEERING  
CORPORATION



AARON M. MEFFORD  
NAME  
*Aaron M. Mefford*  
SIGNATURE  
7-11-06  
DATE  
11-30-07  
EXPIRES

ORCHARD TOWNSHIP  
TOWNSHIP ROUTE 82  
WAYNE COUNTY, ILLINOIS

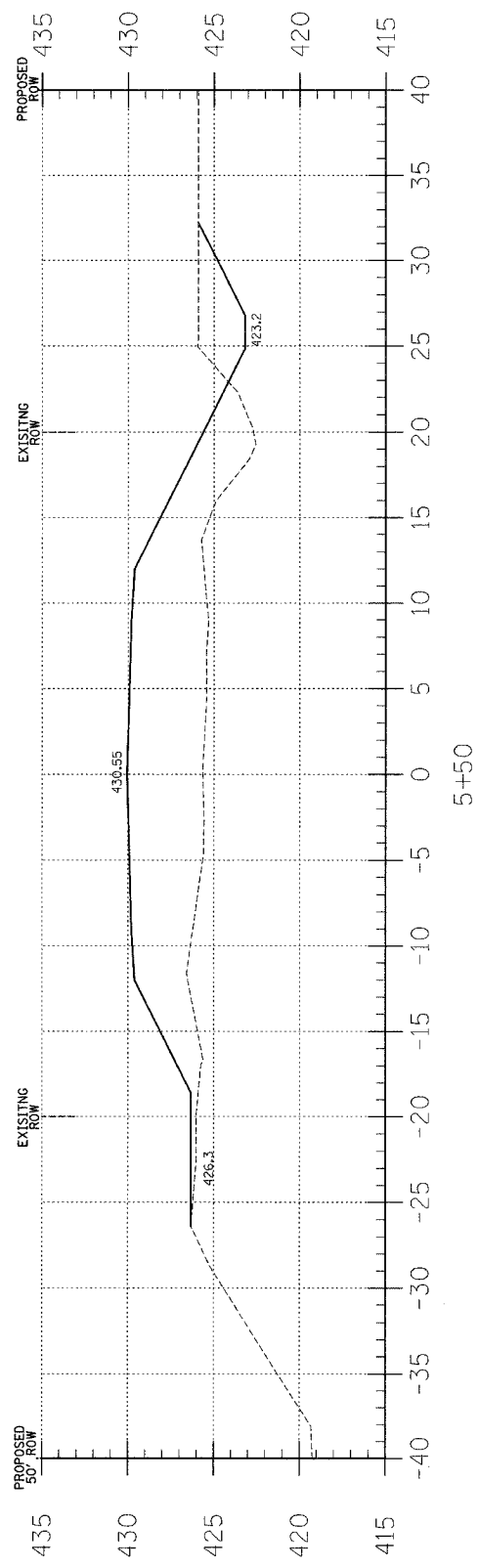
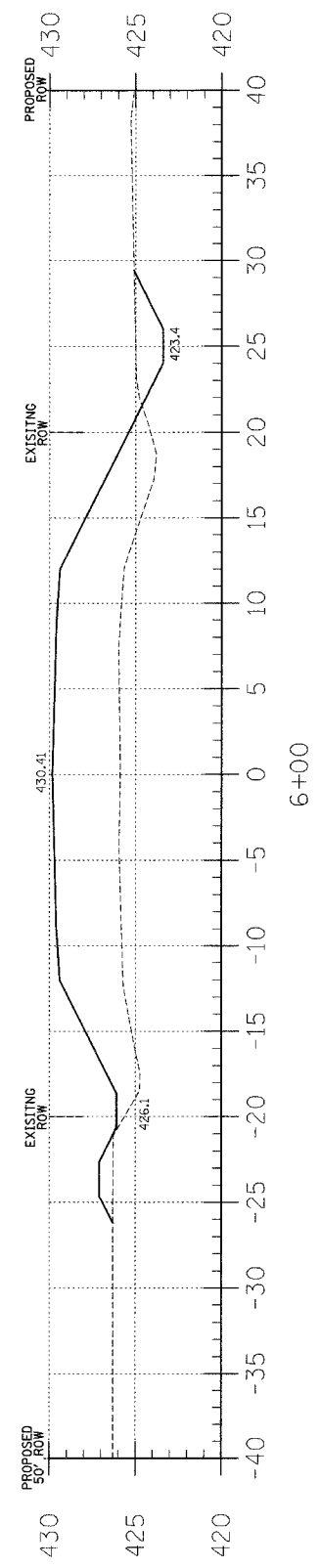
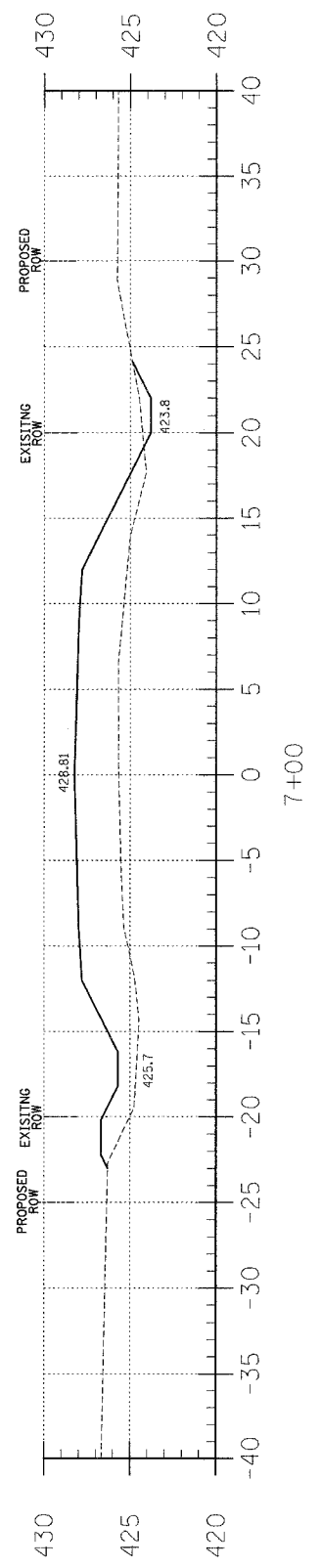
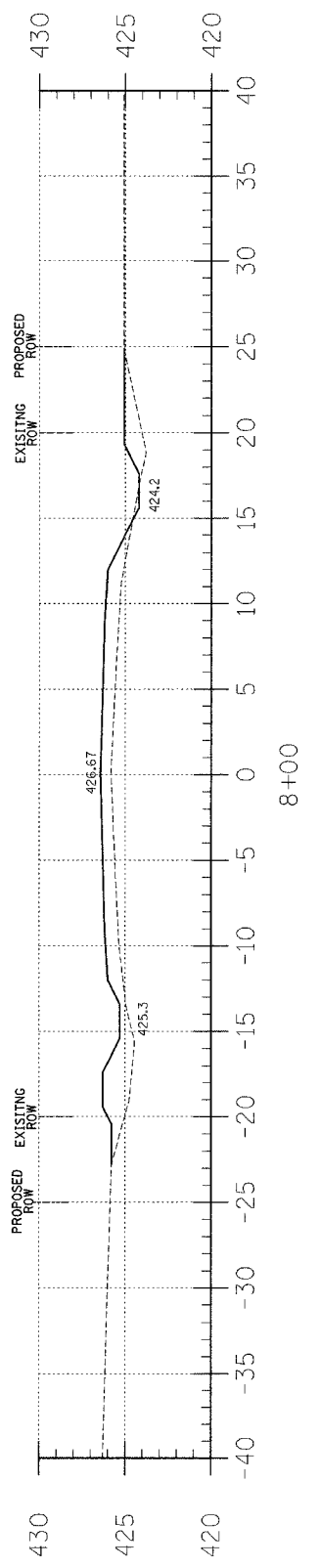
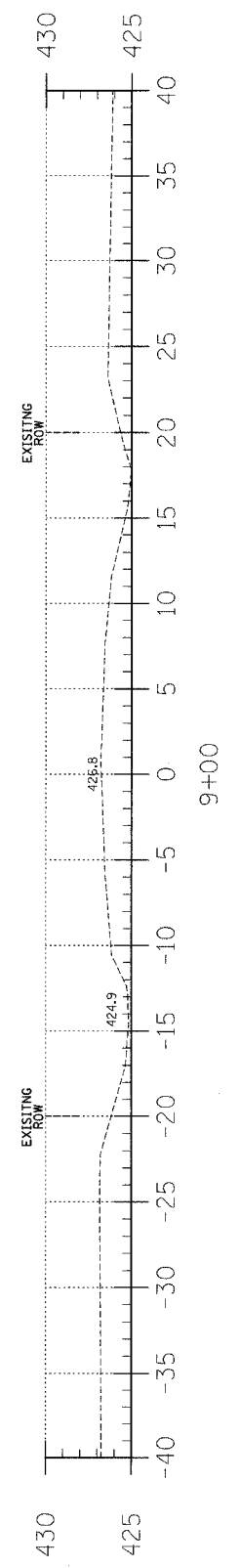
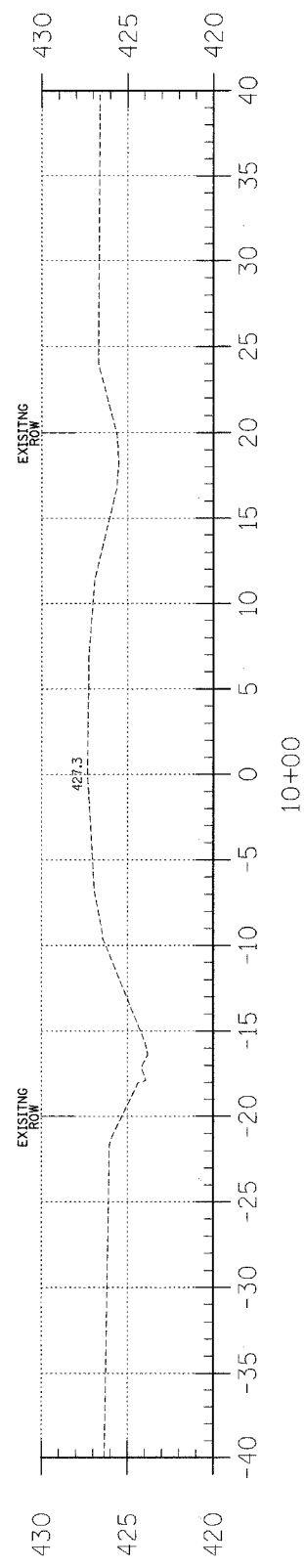
SHEET TITLE:

CROSS-SECTIONS

SCALE: 1" = 5'  
BY: AMM  
DATE: 8/08  
REV: MLG

4 OF 12  
SHEETS

SHEET NO.  
4



C = 0.2  
F = 33.0

C = 2.1  
F = 87.9

C = 8.1  
F = 136.2

C = 15.3  
F = 145.1