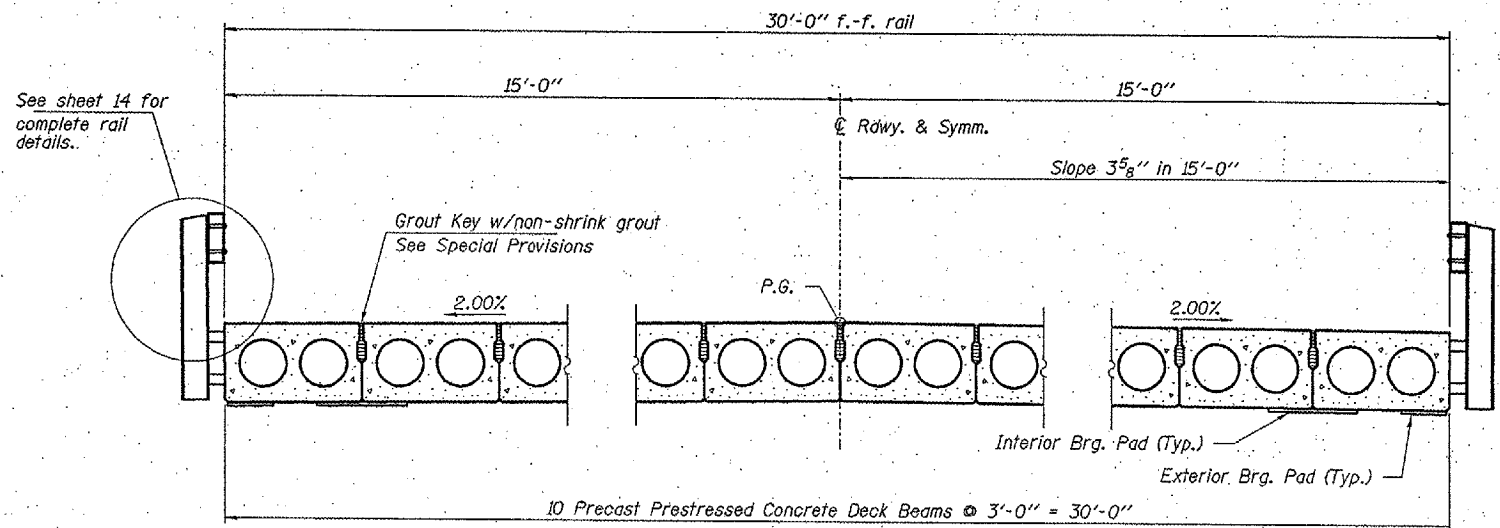
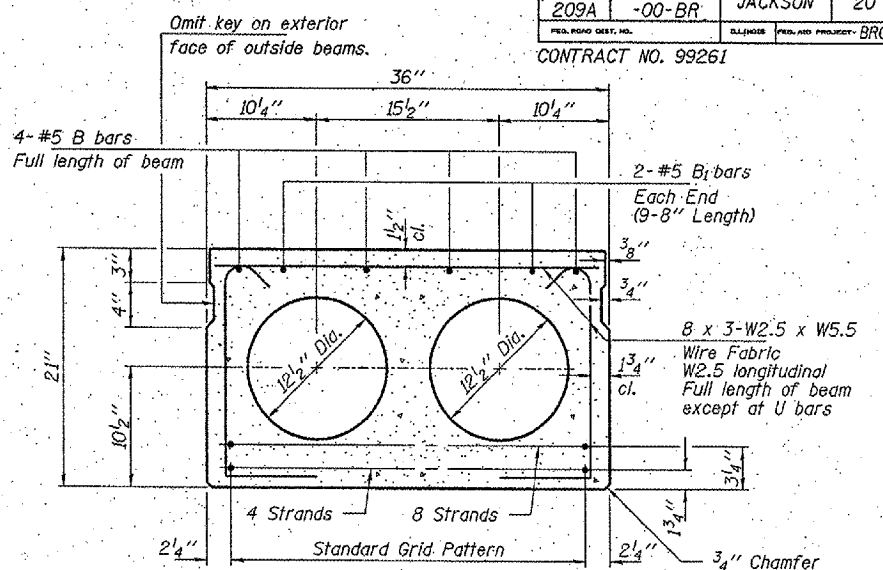


ROUTE NO.	SECTION	COUNTY	SHEETS	SHEET NO.
T.R. 209A	04-02119-00-BR	JACKSON	20	12
FED. ROAD DIST. NO.	ILLINOIS (FED. AID PROJECT) BR05-077(41)			

CONTRACT NO. 99261



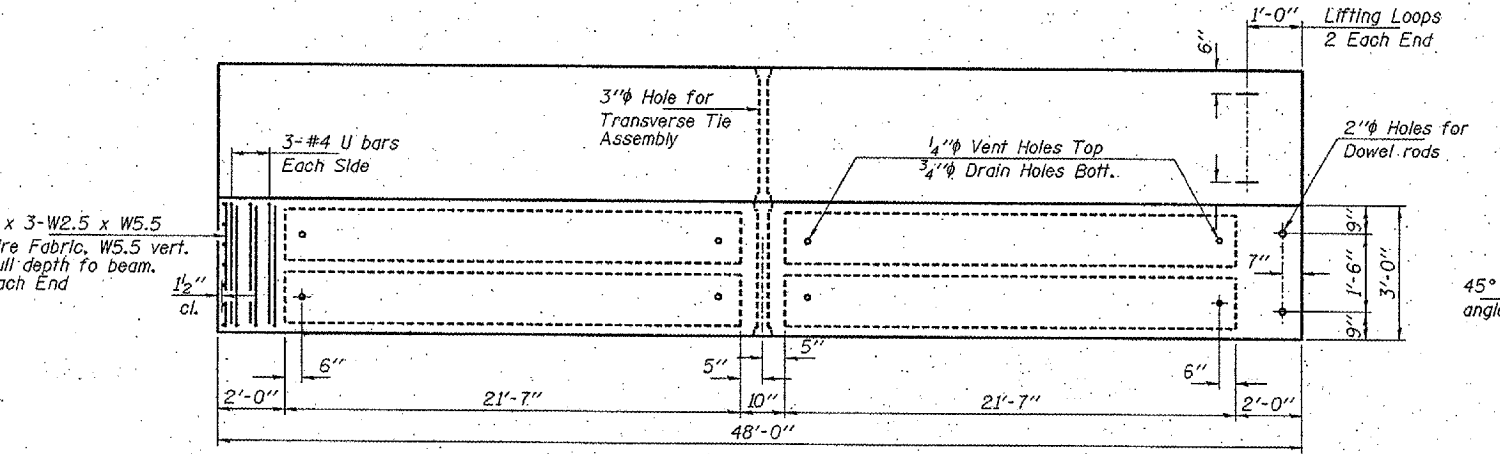
CROSS SECTION



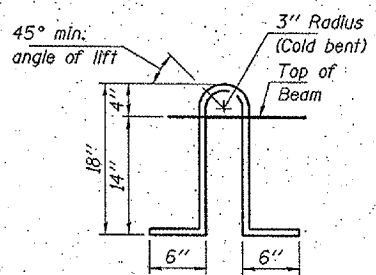
TYPICAL SECTION

12-1/2" φ Strands, Each Strand Stressed to 30,900 Lbs.
4-Strands 1 3/4" up, 8-Strands 3/4" up

Note: Place strands symmetrically about center of beam.



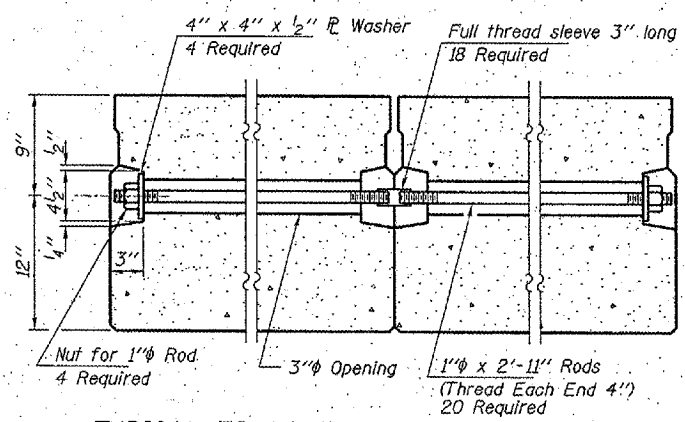
PLAN



LIFTING LOOP DETAIL

Approved alternate may be substituted for the above.

Note:
The loop shall be formed in a manner such that all strands are engaged during lifting. Loops shall be cut off after beams have been erected.



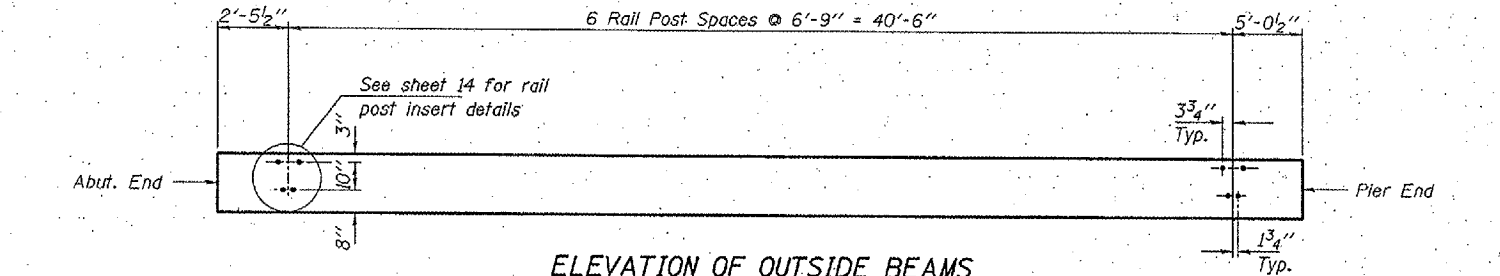
TYPICAL TRANSVERSE TIE ASSEMBLY

NOTES

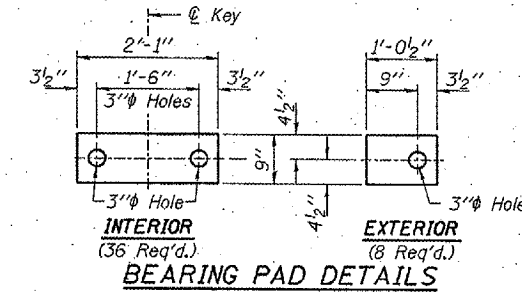
Prestressing steel shall be uncoated high strength, low-relaxation 7-wire strand, Grade 270. The nominal diameter shall be 1/2" and the nominal cross-sectional area shall be 0.153 sq. in. Lifting loops shall be 2'-2" φ 270 ksi strands, as shown. The 1" φ rods in the transverse tie assembly shall be tightened to a snug fit and the threads set. Pockets that receive transverse tie bar on outside shall be filled with grout after transverse tie assembly is in place. Reinforcement bars shall conform to the requirements of AASHTO M-31 or M-322 Grade 60. The bearing seat surfaces shall be adjusted by shimming to assure firm and even bearing. Two 3/8" fabric adjusting shims of the dimensions of the Exterior Bearing Pad shall be provided for each bearing. Keyway surfaces shall be cleaned to remove form oil or other bond breaking material prior to shipment of the beams. Cleaning shall be done by sandblasting the keyway areas between top of the beam and the bottom edge of the key. Required Release Strength, f'ci, shall be 4,000 p.s.i. A Calcium Nitrite Corrosion Inhibitor, as covered in the Special Provisions, shall be used in the concrete for precast prestressed concrete deck beams.

BILL OF MATERIAL

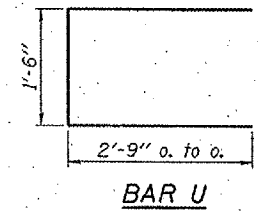
ITEM	UNIT	QUANTITY
Precast Prestressed Concrete Deck Beams (21" Depth)	Sq. Ft.	2,880



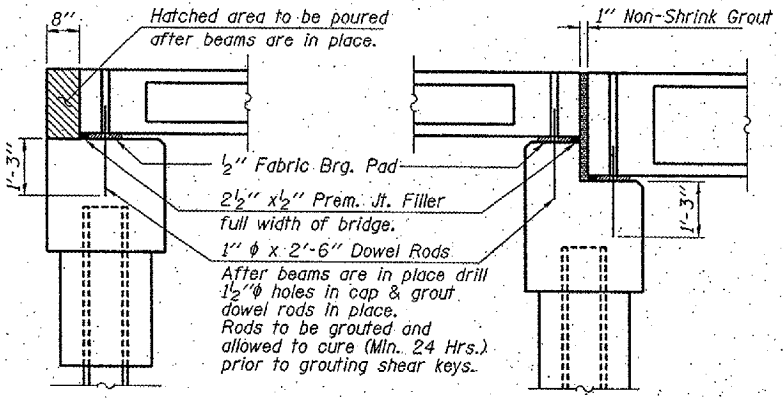
ELEVATION OF OUTSIDE BEAMS
Showing Rail Post Spacing



BEARING PAD DETAILS



BAR U



SECTION AT ABUTMENTS
© Rt. L's

SECTION AT PIERS
© Rt. L's

HAMPTON, LENZINI & RENWICK, INC.
CIVIL & STRUCTURAL ENGINEERS

3085 STEVENSON DRIVE, SUITE 201
SPRINGFIELD, ILLINOIS 62703
(217) 546-3400

ELGIN • SPRINGFIELD

PROJECT NUMBER: 12-47-0017-1 DATE: 06/15/06
DESIGNED: S.M.S. CHECKED: S.W.M. DRAWN: D.T.M.

SUPERSTRUCTURE SPAN 1 & 3

SECTION 04-02119-00-BR

CARBONDALE ROAD DISTRICT

JACKSON COUNTY

STATION 9+96 / STRUCTURE NO. 039-3255