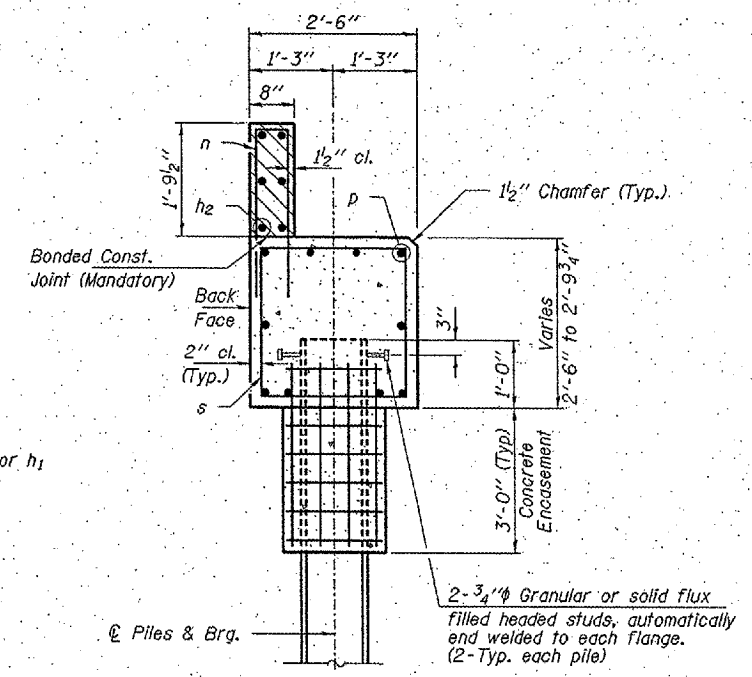
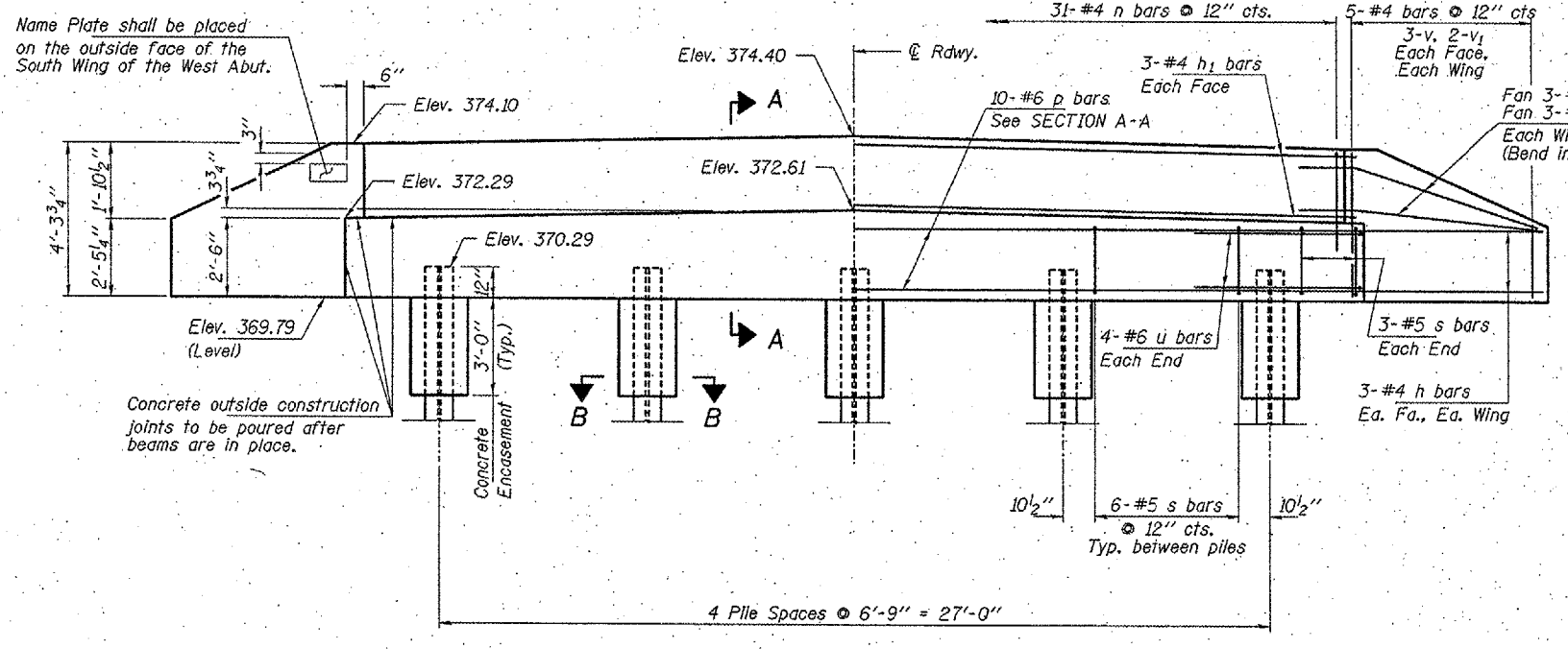
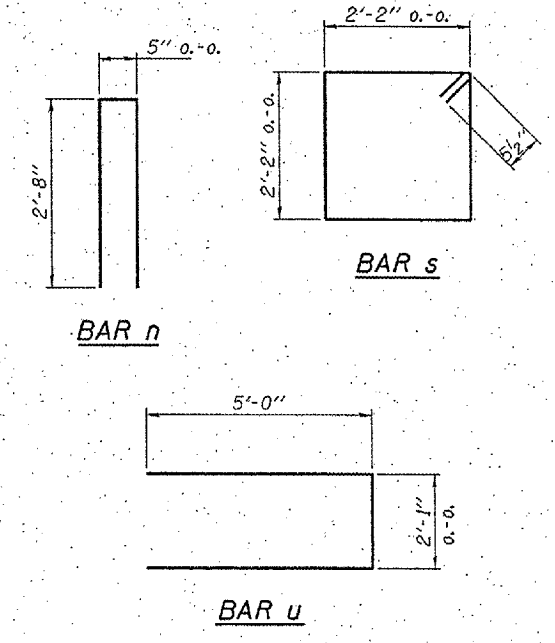


PLAN

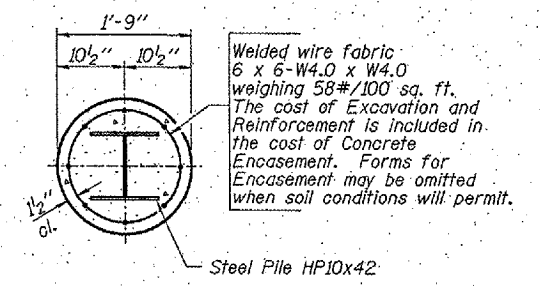


SECTION A-A

Hatched area to be poured after beams are in place.



ELEVATION
(Looking West)



SECTION B-B

BILL OF MATERIAL - W. ABUT.

BAR	NO.	SIZE	LENGTH	SHAPE
h	18	#4	5'-6"	—
h1	6	#4	3'-2"	—
h2	6	#4	4'-6"	—
n	31	#4	5'-9"	□
p	10	#6	3'-2"	—
s	30	#5	9'-7"	□
u	8	#6	12'-1"	—
v	12	#4	3'-6"	—
v1	8	#4	2'-6"	—
Concrete Structures			Cu. Yd.	10.2
Stud Shear Connectors			Each	10
Reinforcement Bars			Pound	1,280
Name Plates			Each	1
Steel Piles HP10x42			Foot	280
Test Pile Steel HP10x42			Each	1
Concrete Encasement			Cu. Yd.	1.3

PILE DATA

Type.....Steel HP 10x42
 No. Req'd.....5*
 Capacity.....Drive to Refusal
 Est. Length.....70 Feet/Pile

* Includes one Test Pile Steel HP10x42 to be driven in a permanent location at West Abutment.

HAMPTON, LENZINI & RENWICK, INC.
 CIVIL & STRUCTURAL ENGINEERS

3085 STEVENSON DRIVE, SUITE 201
 SPRINGFIELD, ILLINOIS 62703
 (217) 548-3400

ELGIN • SPRINGFIELD

PROJECT NUMBER: 18-47-0017-1 DATE: 05/15/06
 DESIGNED: S.M.S. CHECKED: S.W.M. DRAWN: D.T.M.

WEST ABUTMENT
SECTION 04-02119-00-BR
CARBONDALE ROAD DISTRICT
JACKSON COUNTY
STATION 9+96 / STRUCTURE NO. 039-3255