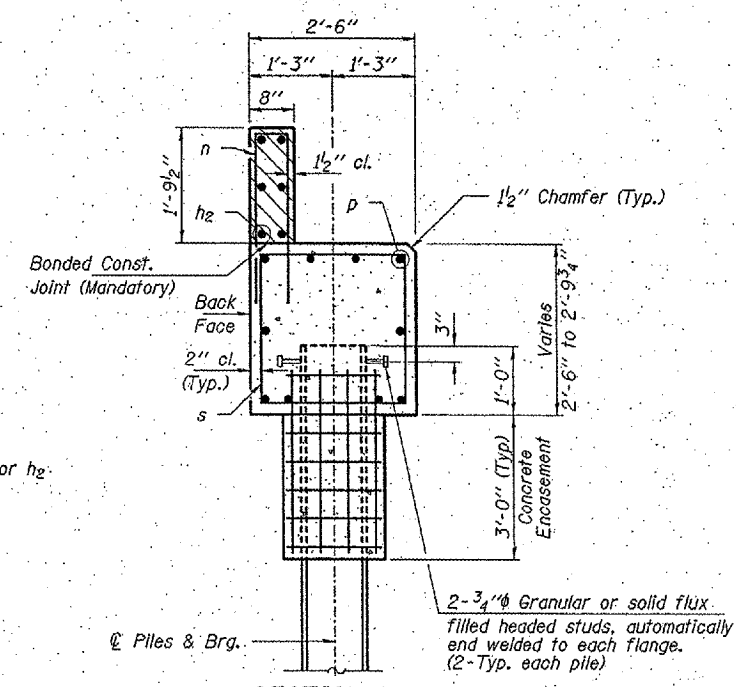
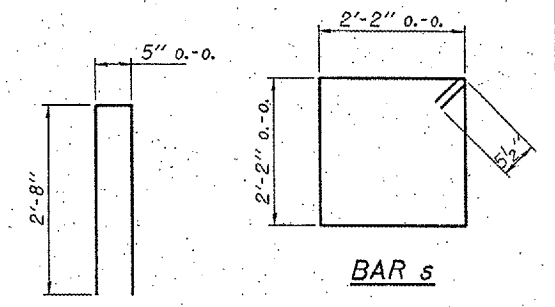


PLAN



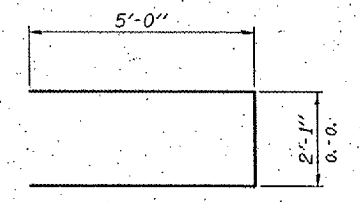
SECTION A-A

Hatched area to be poured after beams are in place.

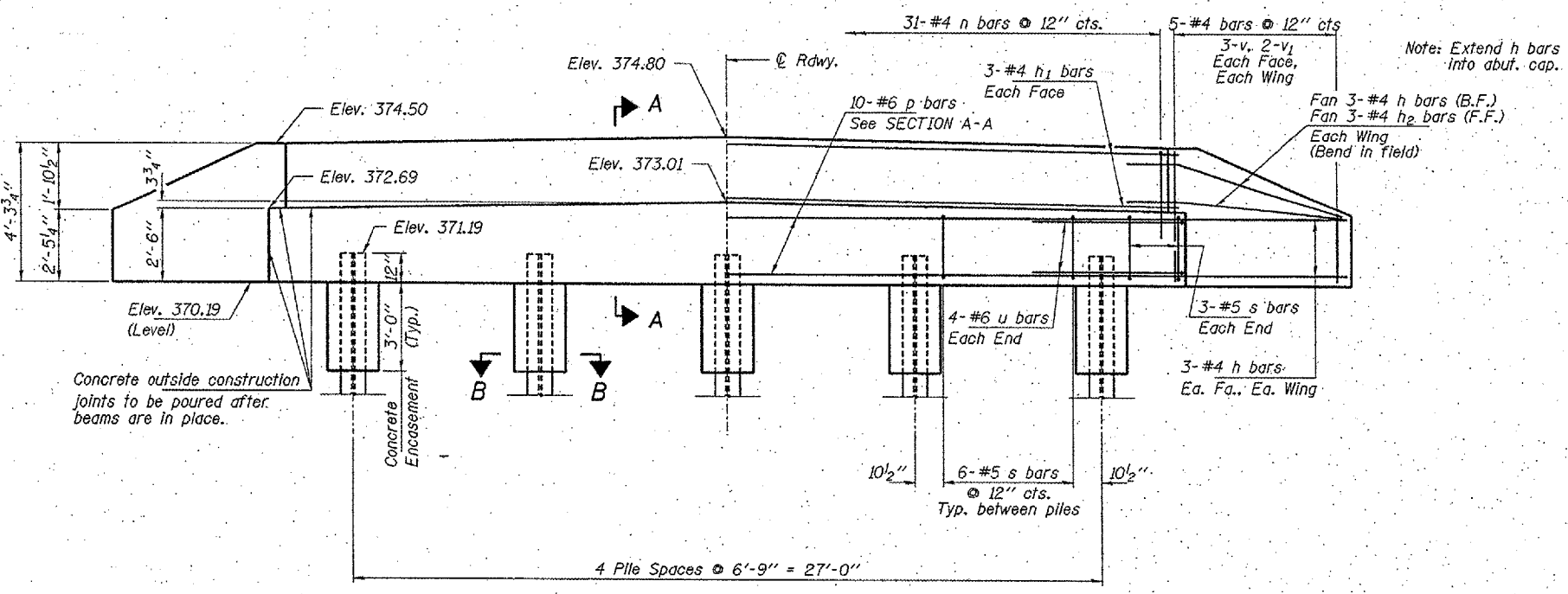


BAR s

BAR n



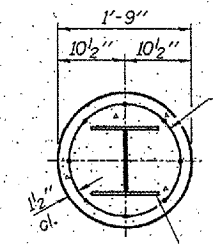
BAR u



ELEVATION
(Looking East)

PILE DATA

Type.....Steel HP 10x42
 No. Req'd.....5
 Capacity.....Drive to Refusal
 Est. Length.....70 Feet/Pile



SECTION B-B

Welded wire fabric 6 x 6-W4.0 x W4.0 weighing 58#/100 sq. ft. The cost of Excavation and Reinforcement is included in the cost of Concrete Encasement. Forms for Encasement may be omitted when soil conditions will permit.

Steel Pile HP10x42

BILL OF MATERIAL - E. ABUT.

| BAR | NO. | SIZE | LENGTH | SHAPE |
|-----------------------|-----|------|---------|-------|
| h | 18 | #4 | 5'-6" | — |
| h1 | 6 | #4 | 31'-2" | — |
| h2 | 6 | #4 | 4'-6" | — |
| n | 31 | #4 | 5'-9" | □ |
| p | 10 | #6 | 31'-2" | — |
| s | 30 | #5 | 9'-7" | □ |
| u | 8 | #6 | 12'-1" | — |
| v | 12 | #4 | 3'-6" | — |
| v1 | 8 | #4 | 2'-6" | — |
| Concrete Structures | | | Cu. Yd. | 10.2 |
| Stud Shear Connectors | | | Each | 10 |
| Reinforcement Bars | | | Pound | 1,280 |
| Steel Piles HP 10x42 | | | Foot | 350 |
| Concrete Encasement | | | Cu. Yd. | 1.3 |

HAMPTON, LENZINI & RENWICK, INC.
 CIVIL & STRUCTURAL ENGINEERS

3085 STEVENSON DRIVE, SUITE 201
 SPRINGFIELD, ILLINOIS 62703
 (217) 546-3400

ELGIN • SPRINGFIELD

PROJECT NUMBER: 12-47-0017-1 DATE: 05/15/06
 DESIGNED: S.M.S. CHECKED: S.W.M. DRAWN: D.T.M.

EAST ABUTMENT
SECTION 04-02119-00-BR
CARBONDALE ROAD DISTRICT
JACKSON COUNTY
STATION 9+96 / STRUCTURE NO. 039-3255