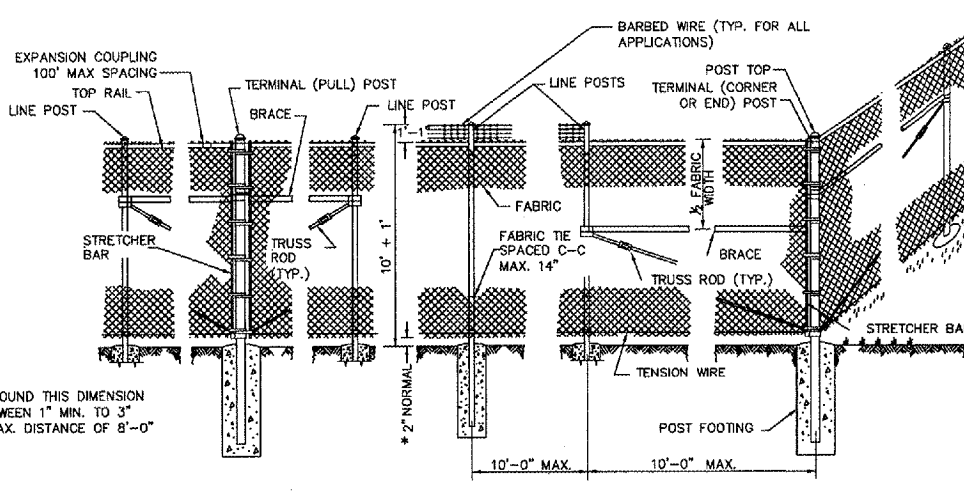


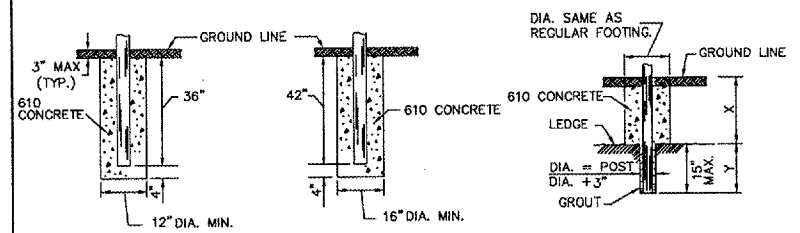
PEDESTRIAN GATE
NOT TO SCALE



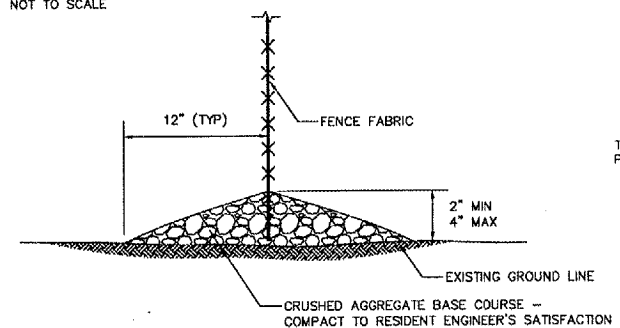
VEHICLE GATE
NOT TO SCALE

POST AND BRACE TABLE		
DESCRIPTION	DIA.-INCHES	WT.-LBS/FT
LINE POST	3.0	4.65
TERMINAL POST	4.0	6.56
END POST	4.0	6.56
CORNER POST	4.0	6.56
PULL POST	4.0	6.56
GATE FRAMES	2.0	2.28
GATE POST	4.0	9.10
TOP RAIL	1.625	1.84
HORIZONTAL BRACE	1.625	1.84

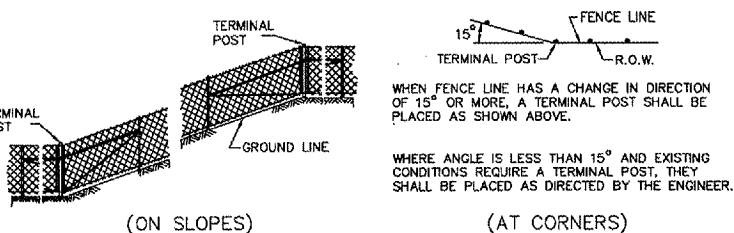
NOTE: SEE DETAIL SHEET FOR SLIDING GATES



(LINE POST) (GATE & TERMINAL POST) (POST IN ROCK LEDGE)
NOTES: X + Y SHALL NOT EXCEED 24", 30" OR 36", AS APPLICABLE. WHEN X IS 0 TO 9", 15", OR 21", Y = 15", AND THE POST SHALL BE SHORTENED AS REQUIRED. WHEN X EXCEEDS 9", 15", OR 21", Y SHALL BE DECREASED CORRESPONDINGLY.



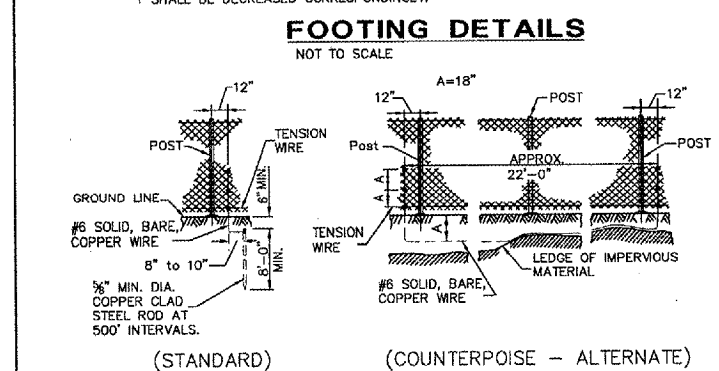
AGGR. BASE DETAIL
NOT TO SCALE



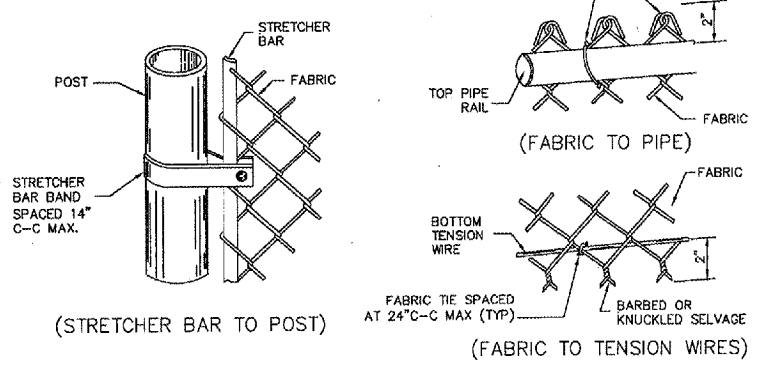
INSTALLATION DETAILS
NOT TO SCALE

GENERAL NOTES

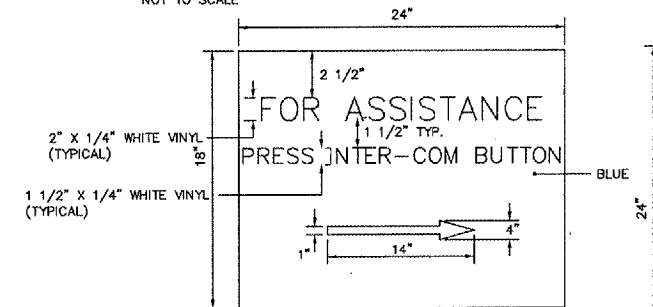
- PULL POSTS SHALL BE PLACED AT LOCATIONS DETERMINED BY THE ENGINEER. THEY SHALL BE PLACED AT 660' INTERVALS BETWEEN POSTS TO WHICH THE ENDS OF THE FABRIC ARE CLAMPED OR MIDWAY BETWEEN SUCH POSTS WHEN THE DISTANCE IS LESS THAN 1320' AND GREATER THAN 660'.
- TRUSS RODS SHALL BE 1/2" ROUND GALVANIZED STEEL ROD WITH GALVANIZED TURNBUCKLES. THE ZINC COATING SHALL NOT BE LESS THAN 1.2 OUNCES PER SQUARE FOOT OF SURFACE.
- "H" SECTION STRUCTURAL SHAPE AND SQUARE TUBULAR PIPE SHALL NOT BE ALLOWED.



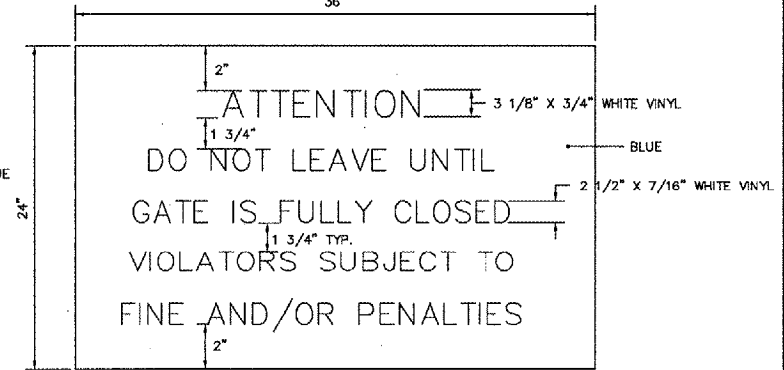
PROTECTIVE ELECTRICAL GROUNDS
NOT TO SCALE



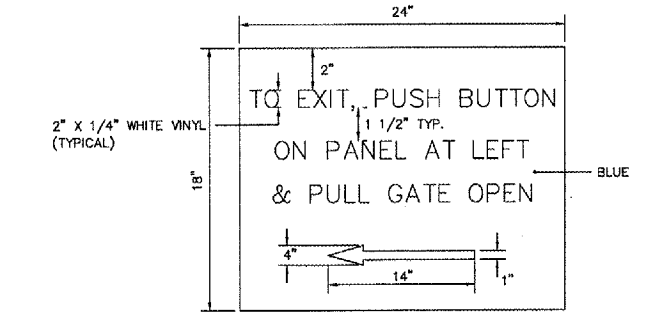
FASTENING METHODS
NOT TO SCALE



LOCATION: EAST SIDE OF GATE NO. 2 MATCH ENTRANCE ROAD SIGNS AND COLORS INSTALL ON EAST SIDE OF FENCE NEAR GATE NO. 2 IF TURNSTILE GATE IS INSTALLED. FINAL TEXT TO BE DETERMINED BY MAA



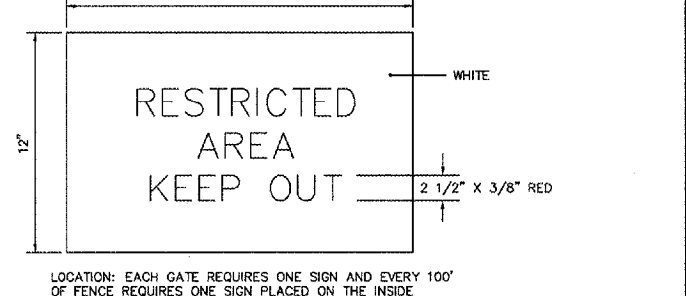
LOCATION: AT ALL GATES ON BOTH SIDES OF THE FENCE MATCH ENTRANCE ROAD SIGNS AND COLORS



LOCATION: WEST SIDE OF GATE NO. 2 MATCH ENTRANCE ROAD SIGNS AND COLORS DELETE " & PULL GATE OPEN" FROM SIGN AND INSTALL ON WEST SIDE OF FENCE NEAR GATE NO. 2 IF TURNSTILE GATE IS INSTALLED. FINAL TEXT TO BE DETERMINED BY MAA.

- NOTES: 1.) 0.08 GA. ALUMINUM SHEET
2.) SIGNS AND INSTALLATION SHALL BE INCIDENTAL TO THE UNIT PRICE BID FOR CLASS E FENCE-10'

SIGN DETAILS
NOT TO SCALE



LOCATION: EACH GATE REQUIRES ONE SIGN AND EVERY 100' OF FENCE REQUIRES ONE SIGN PLACED ON THE INSIDE



REVISIONS		
NO.	ITEM	DATE

PLOTTING SCALE: 1" = 1'
DRAWN BY: SPM
CHECKED BY:
DATE: SEPTEMBER 2006

McCLURE ENGINEERING ASSOCIATES, INC.
4700 Kennedy Drive East Moline, Illinois 61224
(309) 792-9500 Fax (309) 792-8974
Design Firm License: Illinois #104-000616
Copyright © 2006 by McClure Engineering Associates, Inc.

FENCE DETAILS
QUAD CITY INTERNATIONAL AIRPORT SECURITY FENCE - PHASE IV
MOLINE, ILLINOIS
FILE NAME: T:\MOT06.008\DWG\06191003.DWG JOB NUMBER: 01-29-06-191