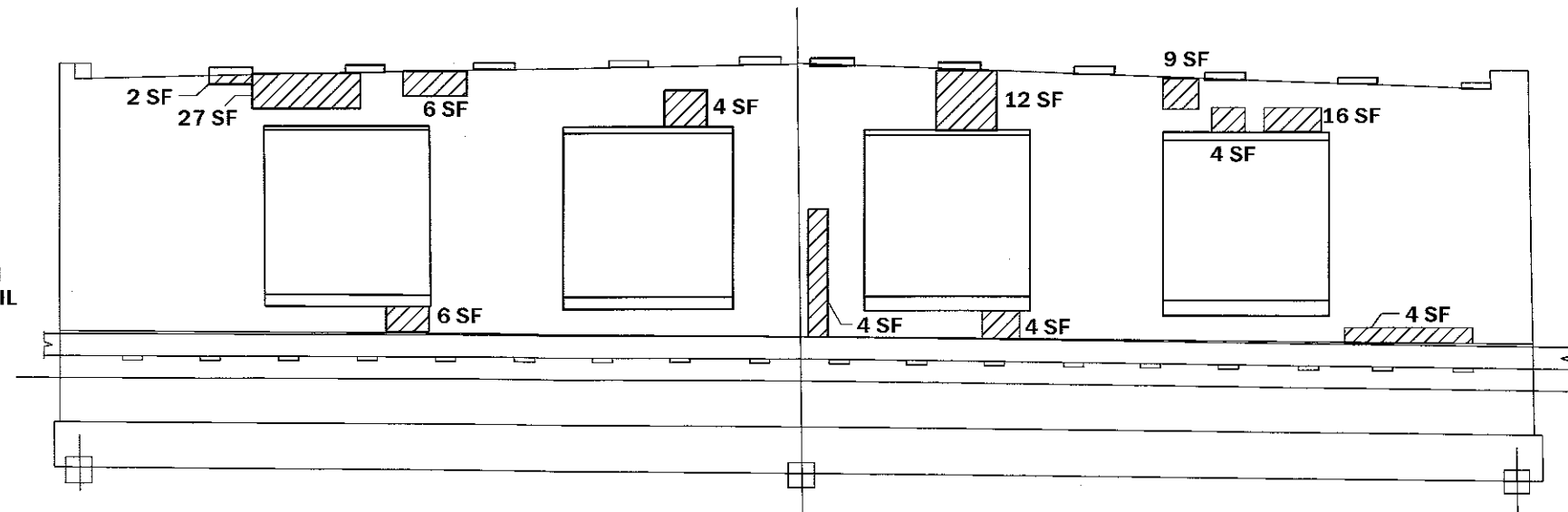


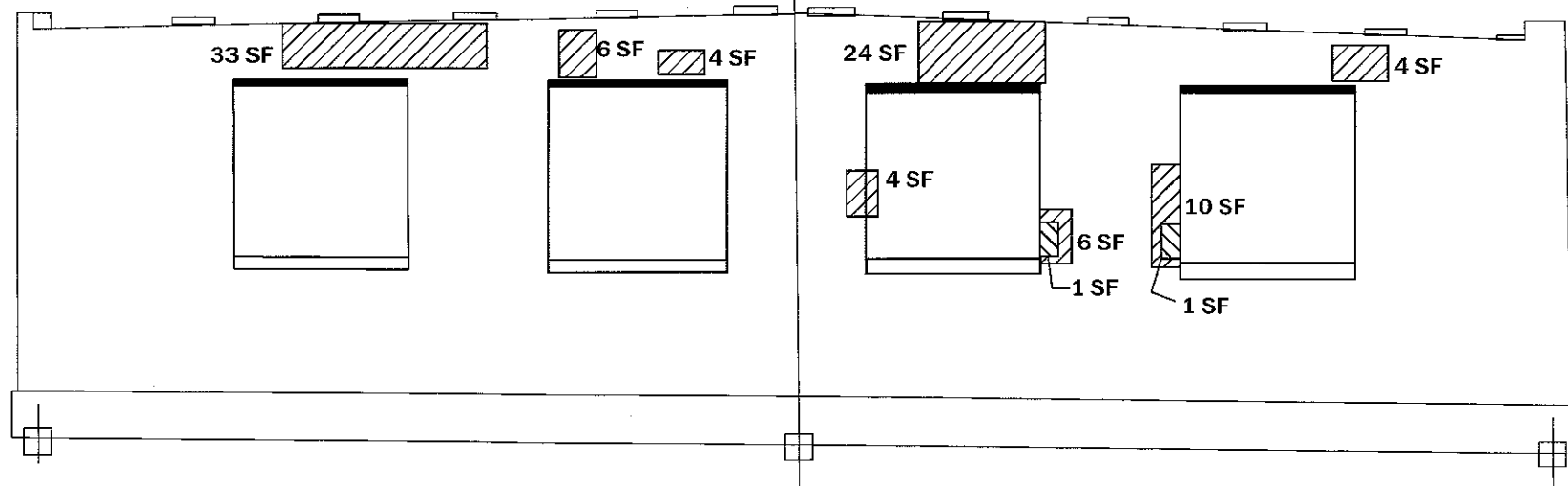
W-BEAM
GUARDRAIL



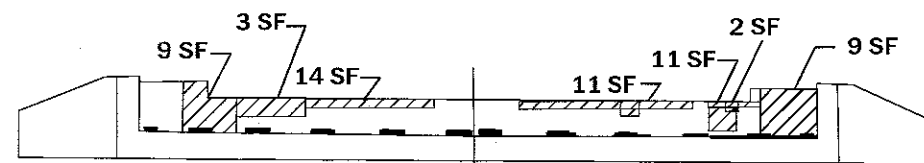
EAST PIER - WEST ELEVATION

- STRUCTURAL REPAIR OF CONCRETE $\leq 5"$ - 194 SF
- STRUCTURAL REPAIR OF CONCRETE $\geq 5"$ - 8 SF

GROUND LINE



EAST PIER - EAST ELEVATION



EAST ABUTMENT WEST ELEVATION

REACTIONS SN 016-0821

INTERIOR GIRDER REACTION TABLE					
	W. ABUTMENT	PIER 1	PIER 2	PIER 3	E. ABUTMENT
R DL (k)	18.9	63.6	64.0	63.6	18.9
R LL (k)	30.6	38.3	39.3	38.3	30.6
R IMP (k)	8.7	10.5	10.4	10.5	8.7
R (total) (k)	58.2	112.4	113.7	112.4	58.2

TOTAL BILL OF MATERIAL

ITEM	UNIT	QUANTITY
STRUCTURAL REPAIR OF CONCRETE ≤ 5 INCHES	SQ FT	984
STRUCTURAL REPAIR OF CONCRETE ≥ 5 INCHES	SQ FT	38
TEMPORARY SHORING	EACH	11

EAST PIER REPAIRS BILL OF MATERIAL (SN 016-0821)

ITEM	UNIT	QUANTITY
STRUCTURAL REPAIR OF CONCRETE ≤ 5 INCHES	SQ FT	194
STRUCTURAL REPAIR OF CONCRETE ≥ 5 INCHES	SQ FT	8

MODEL: Default
 FILE NAME: p:\1\1084EDID\INTG Illinois.gov\PWDOT\Documents\DOT Office\Design\1\Projects\0128817\COB\BAA\Design\0128817-ahs-plan.dgn

USER NAME = saintvlch	DESIGNED -	REVISED -
	DRAWN -	REVISED -
PLOT SCALE = 100.0000' / in.	CHECKED -	REVISED -
PLOT DATE = 8/23/2017	DATE -	REVISED -

STATE OF ILLINOIS
DEPARTMENT OF TRANSPORTATION

I-94 EDENS EXPWY AT GLENVIEW ROAD (SN 016-0821)
EAST PIER REPAIRS

SCALE: SHEET OF SHEETS STA. TO STA.

F.A.I. RTE. 94	SECTION 2017-0191	COUNTY COOK	TOTAL SHEETS 16	SHEET NO. 5
CONTRACT NO. 62F38			ILLINOIS FED. AID PROJECT	