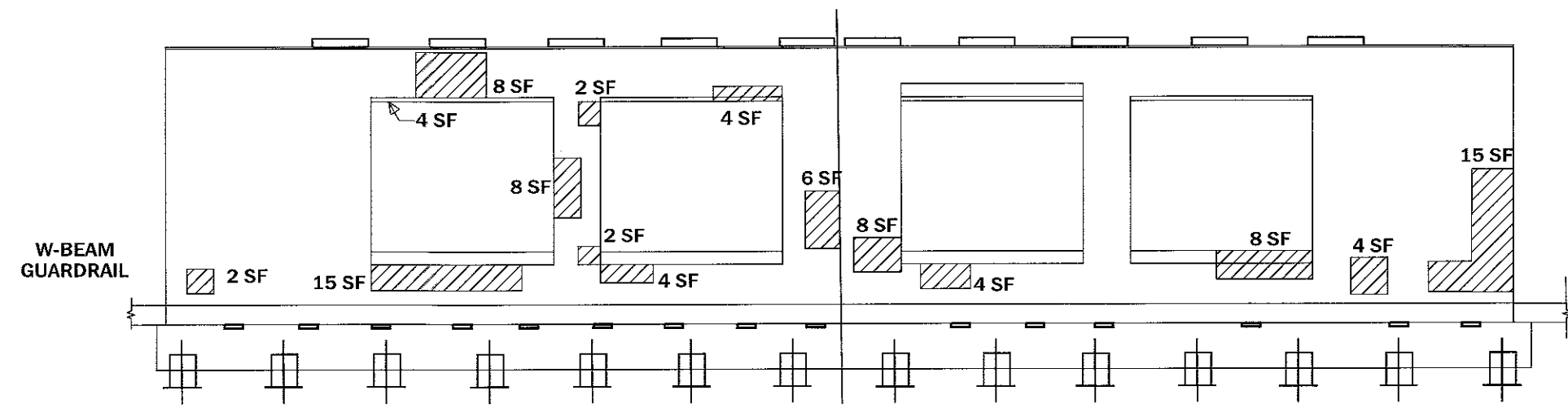


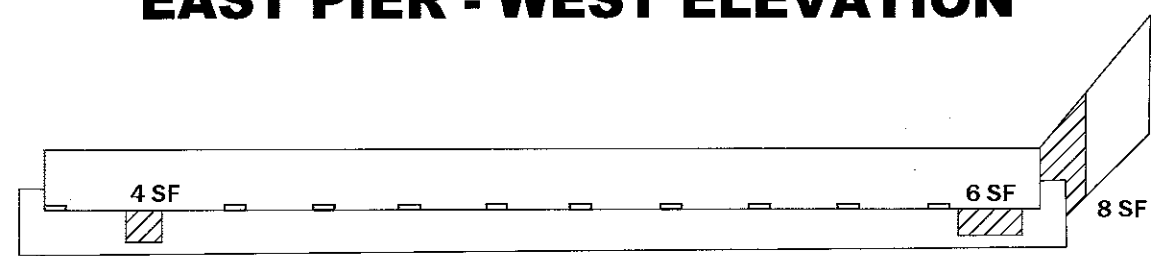
EAST PIER - EAST ELEVATION

 - STRUCTURAL REPAIR OF CONCRETE ≤ 5" - 202 SF



EAST PIER - WEST ELEVATION

W-BEAM GUARDRAIL



EAST ABUTMENT

EAST PIER REPAIRS BILL OF MATERIAL

ITEM	UNIT	QUANTITY
STRUCTURAL REPAIR OF CONCRETE ≤ 5 INCHES	SQ FT	202
STRUCTURAL REPAIR OF CONCRETE ≥ 5 INCHES	SQ FT	

MODEL: Default
 FILE NAME: p:\w\0848ED\INTG\Illinois.ppt\WIDOT\Documents\DOT_Offices\Bericl_1\Project\10123817\CAD\Drawings\10123817-111-01.dgn

USER NAME = saintvlch	DESIGNED -	REVISED -
	DRAWN -	REVISED -
PLOT SCALE = 100.0000' / in.	CHECKED -	REVISED -
PLOT DATE = 8/23/2017	DATE -	REVISED -

STATE OF ILLINOIS
DEPARTMENT OF TRANSPORTATION

I-94 EDENS EXPWY AT LINCOLN AVE. (SN 016-0826)
EAST PIER REPAIRS

F.A.J. RTE. 94	SECTION 2017-0191	COUNTY COOK	TOTAL SHEETS 16	SHEET NO. 11
CONTRACT NO. 62F38				
ILLINOIS FED. AID PROJECT				

SCALE: SHEET OF SHEETS STA. TO STA.