













LOCATION 1									
	STRUCTURAL STEEL SIGN SUPPORT - BREAKAWAY							CONCRETE FOUNDATIONS	SIGN PANEL - TYPE 3
	SIZE	NEAR POST		FAR POST		STUB POST	WEIGHT		
		OFFSET FT	LENGTH FT	OFFSET FT	LENGTH FT				
LT	W10X26	15.6 LT	19.64	23.4 LT	20.31	6	1194.7	2.54	143
RT	W12X26	15.6 RT	21.53	23.4 RT	23.07	6	1315.6	2.82	143
TOTALS							2510.3	5.36	286

**PLACE NEW GROUND MOUNTED SIGNS 30'  
SOUTH OF EXISTING TRUSS LEFT AND RIGHT**

MODEL: Location 1 (Sheet)  
 FILE NAME: P:\MIDOT\Documents\DOT Office\District 8\ORD Project\B84629\CADD\B84629-18-2020.dgn

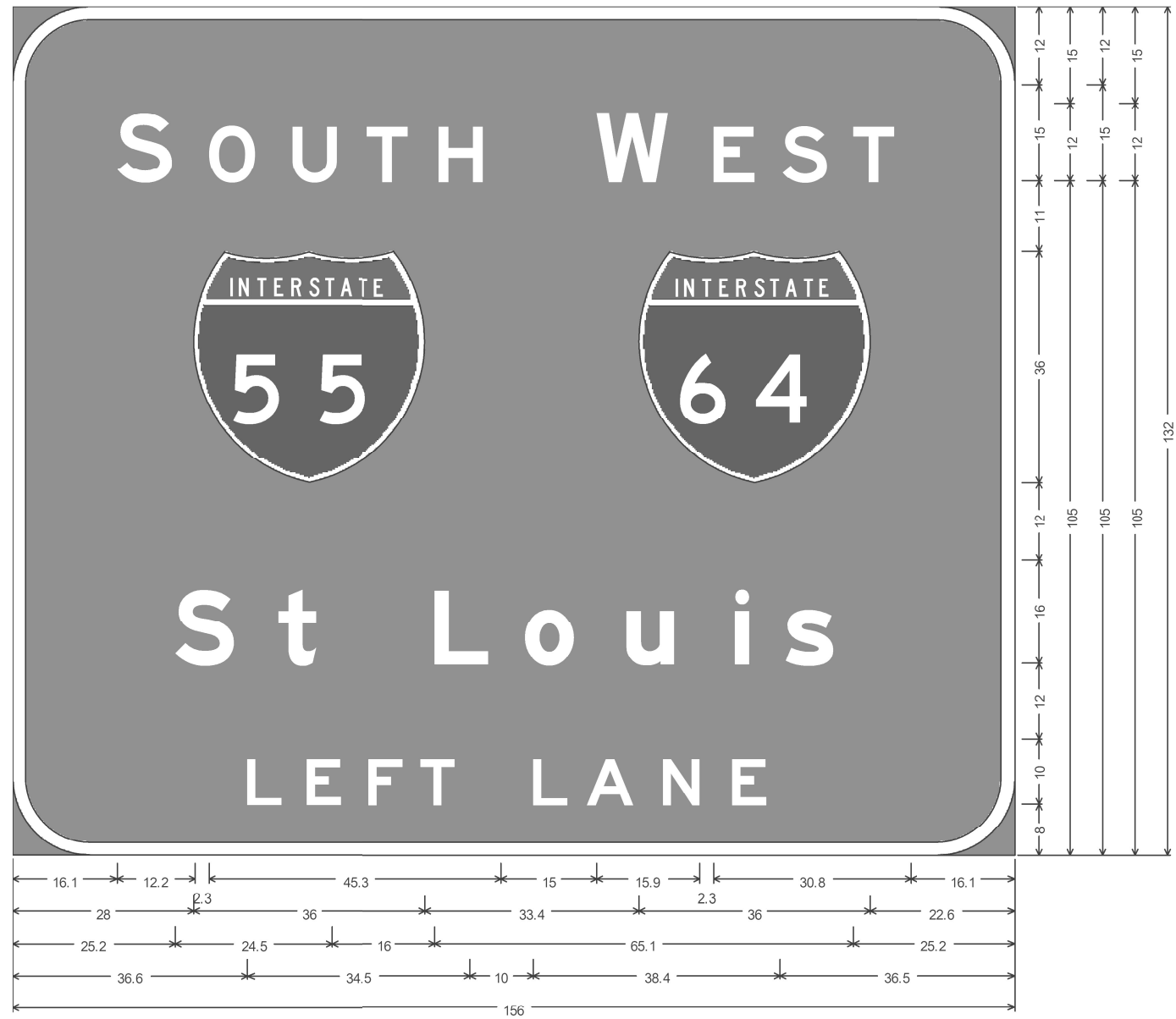
USER NAME = Michael.Berg	DESIGNED - _____	REVISED - _____
PLOT SCALE = 0.16666633' / in.	DRAWN - _____	REVISED - _____
PLOT DATE = 8/25/2023	CHECKED - _____	REVISED - _____
	DATE - _____	REVISED - _____

**STATE OF ILLINOIS  
DEPARTMENT OF TRANSPORTATION**

LOCATION #1  
PROPOSED WORK

SCALE: 1"=50' SHEET 2 OF 3 SHEETS STA. \_\_\_+\_\_\_ TO STA. \_\_\_+\_\_\_

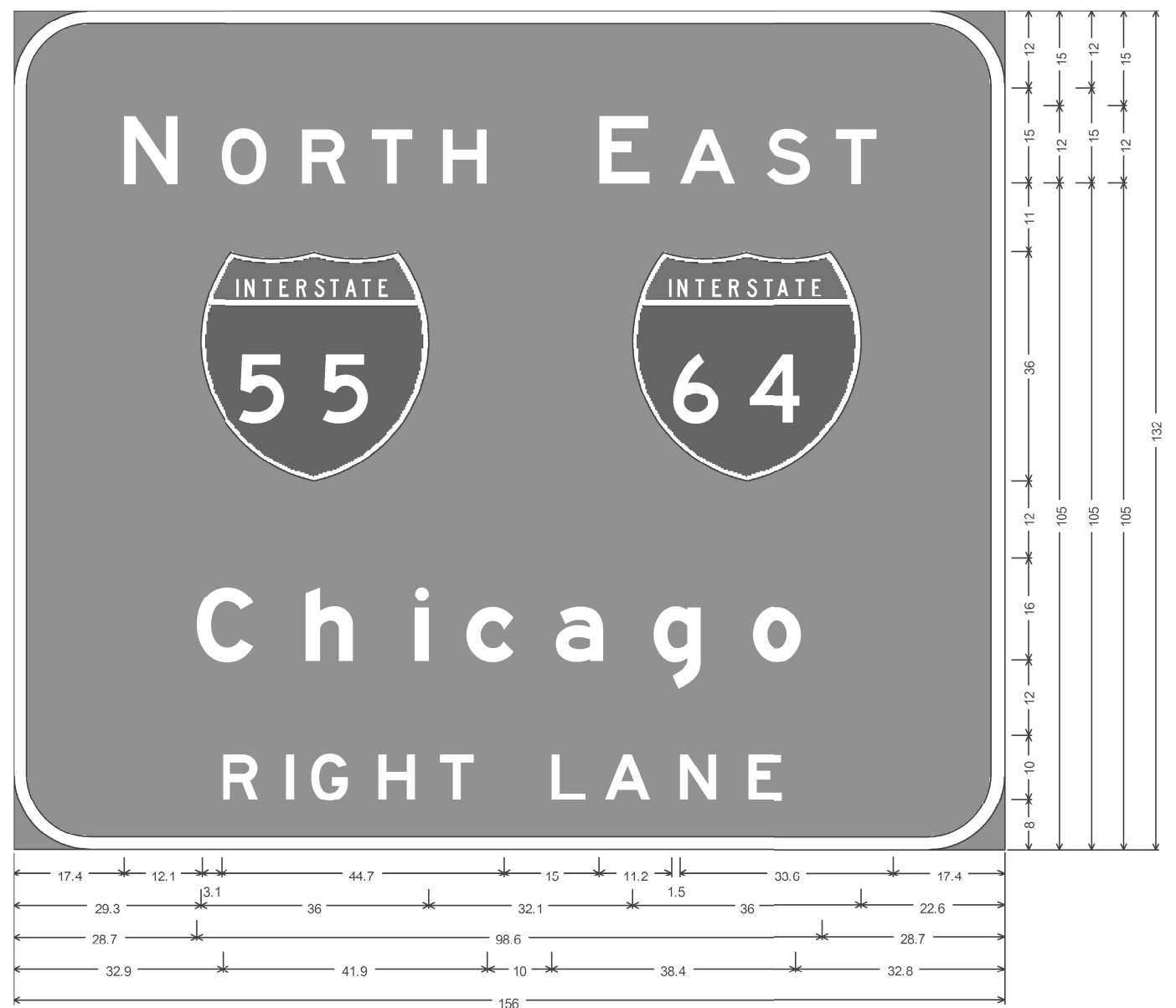
F.A. * RTE.	SECTION	COUNTY	TOTAL SHEETS	SHEET NO.
*	D-8 OVD SIN STR REPL 24-03	**	38	6
*VARIOUS			CONTRACT NO. 46629	
**ST. CLAIR, MADISON   ILLINOIS   FED. AID PROJECT				



12.0" Radius, 2.0" Border, White on Green;  
 "SOUTH", E 2K; "WEST", E 2K; "St Louis", E Mod 2K; "LEFT LANE", E 2K;

Table of letter and object lefts

S	O	U	T	H	W	E	S	T
16.1	30.6	43.4	55.2	66.2	90.9	109.1	119.8	130.9
28.0	97.4							
S	t	L	o	u	i	s		
25.2	41.4	65.7	79.6	95.4	112.4	120.2		
L	E	F	T	L	A	N	E	
36.6	45.8	55.3	63.6	81.1	89.4	101.3	112.0	



12.0" Radius, 2.0" Border, White on Green;  
 "NORTH", E 2K; "EAST", E 2K; "Chicago", E Mod 2K; "RIGHT LANE", E 2K;

Table of letter and object lefts

N	O	R	T	H	E	A	S	T
17.4	32.6	45.5	56.5	67.6	92.3	105.0	118.6	129.6
29.3	97.4							
C	h	i	c	a	g	o		
28.7	46.2	63.1	71.3	85.4	100.9	116.4		
R	I	G	H	T	L	A	N	E
32.9	43.0	47.1	57.5	67.3	84.8	93.1	105.0	115.7

MODEL: Location #1 (Sheet)  
 FILE NAME: P:\GIS\Projects\DOT\Office\District 8\ORD Project\B46629\CAD\Drawings\B46629-1-1.dwg

USER NAME = Michael.Berg	DESIGNED - _____	REVISED - _____
	DRAWN - _____	REVISED - _____
PLOT SCALE = 0.16666633' / in.	CHECKED - _____	REVISED - _____
PLOT DATE = 8/25/2023	DATE - _____	REVISED - _____

**STATE OF ILLINOIS  
 DEPARTMENT OF TRANSPORTATION**

**LOCATION #1  
 SIGN DESIGNS**

SCALE: 1"=50'    SHEET 3    OF 3    SHEETS    STA. \_\_\_\_+\_\_\_\_    TO STA. \_\_\_\_+\_\_\_\_

F.A. RTE.:	SECTION	COUNTY	TOTAL SHEETS	SHEET NO.
*	D-8 OVD SIN STR REPL 24-03	**	30	7
**VARIOUS		CONTRACT NO. 46629		
**ST. CLAIR, MADISON   ILLINOIS   FED. AID PROJECT				







**PLACE PROPOSED GROUND MOUNTED SIGN 35'  
EAST OF EXISTING CANTILEVER STRUCTURE**

LOCATION 2									
	STRUCTURAL STEEL SIGN SUPPORT - BREAKAWAY							CONCRETE FOUNDATIONS	SIGN PANEL - TYPE 3
	SIZE	NEAR POST		FAR POST		STUB POST	WEIGHT		
		OFFSET	LENGTH	OFFSET	LENGTH				
	FT	FT	FT	FT	FT	POUND	CU YD	SF	
RT	W10X26	16 RT	22.63	23.5 RT	21.95	6	1315.08	2.54	181.25
TOTALS							1315.08	2.54	181.25

MODEL: Location 2 (Sheet)  
 FILE NAME: P:\DOT\Documents\DOT Office\District 8\ORD Project\B8629\CADD\B8629-1-1.dwg

USER NAME = Michael.Berg	DESIGNED - _____	REVISED - _____
	DRAWN - _____	REVISED - _____
PLOT SCALE = 0.16666633' / in.	CHECKED - _____	REVISED - _____
PLOT DATE = 8/25/2023	DATE - _____	REVISED - _____

**STATE OF ILLINOIS  
DEPARTMENT OF TRANSPORTATION**

LOCATION #2  
PROPOSED WORK

SCALE: 1"=50' SHEET 2 OF 3 SHEETS STA. \_\_\_+\_\_\_ TO STA. \_\_\_+\_\_\_

F.A. RTE.	SECTION	COUNTY	TOTAL SHEETS	SHEET NO.
*	D-8 OVD SIN STR REPL 24-03	**	30	9
*VARIOUS			CONTRACT NO. 46629	
**ST. CLAIR, MADISON ILLINOIS FED. AID PROJECT				



12.0" Radius, 2.0" Border, White on Green;

"EXIT", E 2K 120% spacing; "15", E 2K; "B", E 2K;

12.0" Radius, 2.0" Border, White on Green;

"NORTH", E 2K; "Maryville", E Mod 2K; Arrow 133 - 30.0" 45°;

Table of letter and object lefts

E	X	I	T	1	5	B
48.6	57.8	68.9	72.7	95.2	102.7	122.9

N	O	R	T	H
45.4	60.7	73.5	84.5	95.6

EXIT
52.9

M	a	r	y	v	i	l	e	
16.7	35.6	52.6	62.6	79.1	96.1	105.7	115.3	123.4

↑
63.6

MODEL: Location 7 (Sheet)  
 FILE NAME: P:\MIDOT\Documents\DOT Office\District 8\ORD Project\B84629\CADD\B84629-11-10.dwg

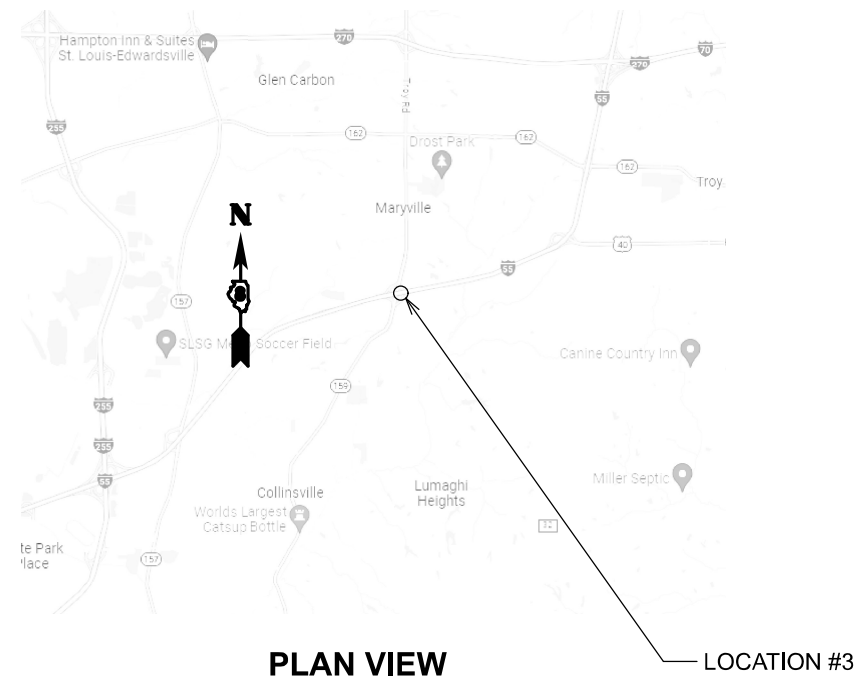
USER NAME = Michael.Berg	DESIGNED - _____	REVISED - _____
DRAWN - _____	CHECKED - _____	REVISED - _____
PLOT SCALE = 0.16666633' / in.	DATE - _____	REVISED - _____
PLOT DATE = 9/5/2023		

**STATE OF ILLINOIS  
DEPARTMENT OF TRANSPORTATION**

**LOCATION #2  
SIGN DESIGNS**

SCALE: 1"=50'    SHEET 3    OF 3    SHEETS    STA. \_\_\_\_+\_\_\_\_    TO STA. \_\_\_\_+\_\_\_\_

F.A. RTE.	SECTION	COUNTY	TOTAL SHEETS	SHEET NO.
*	D-8 OVD SIN STR REPL 24-03	**	38	10
*VARIOUS			CONTRACT NO. 46629	
**ST. CLAIR, MADISON   ILLINOIS   FED. AID PROJECT				



**EXISTING SIGNS & TRUSS**

MODEL: Location 3 (Sheet)  
 FILE NAME: P:\MIDOT\Documents\DOT Office\District 8\ORD Project\B84629\CADD\B84629-11-11.dwg

USER NAME = Michael.Berg	DESIGNED - _____	REVISED - _____
PLOT SCALE = 0.16666633' / in.	DRAWN - _____	REVISED - _____
PLOT DATE = 8/25/2023	CHECKED - _____	REVISED - _____
	DATE - _____	REVISED - _____

**STATE OF ILLINOIS  
DEPARTMENT OF TRANSPORTATION**

**LOCATION #3  
PLAN VIEW AND EXISTING SIGNS**

SCALE: 1"=50'      SHEET 1 OF 3 SHEETS      STA. \_\_\_+\_\_\_ TO STA. \_\_\_+\_\_\_

F.A. RTE.	SECTION	COUNTY	TOTAL SHEETS	SHEET NO.
*	D-8 OVD SIN STR REPL 24-03	**	30	11
*VARIOUS			CONTRACT NO. 46629	
**ST. CLAIR, MADISON ILLINOIS FED. AID PROJECT				



**PLACE NEW GROUND MOUNTED SIGN 30'  
EAST OF EXISTING CANTILEVER TRUSS**

LOCATION 3									
	SIZE	STRUCTURAL STEEL SIGN SUPPORT - BREAKAWAY				STUB POST	WEIGHT	CONCRETE FOUNDATIONS	SIGN PANEL - TYPE 3
		NEAR POST		FAR POST					
		OFFSET	LENGTH	OFFSET	LENGTH				
		FT	FT	FT	FT	FT	POUND	CU YD	SF
RT	W10X26	17 RT	22.81	26 RT	21.51	6	1308.32	2.54	217.5
TOTALS							1308.32	2.54	217.5

MODEL: Location 10 (Sheet)  
 FILE NAME: \\p100000000000\p100000000000\DOT\Office\District 8\ORD Project\B46629\CADD\Drawings\CAD\Sheet\B46629-10-Sign.dwg

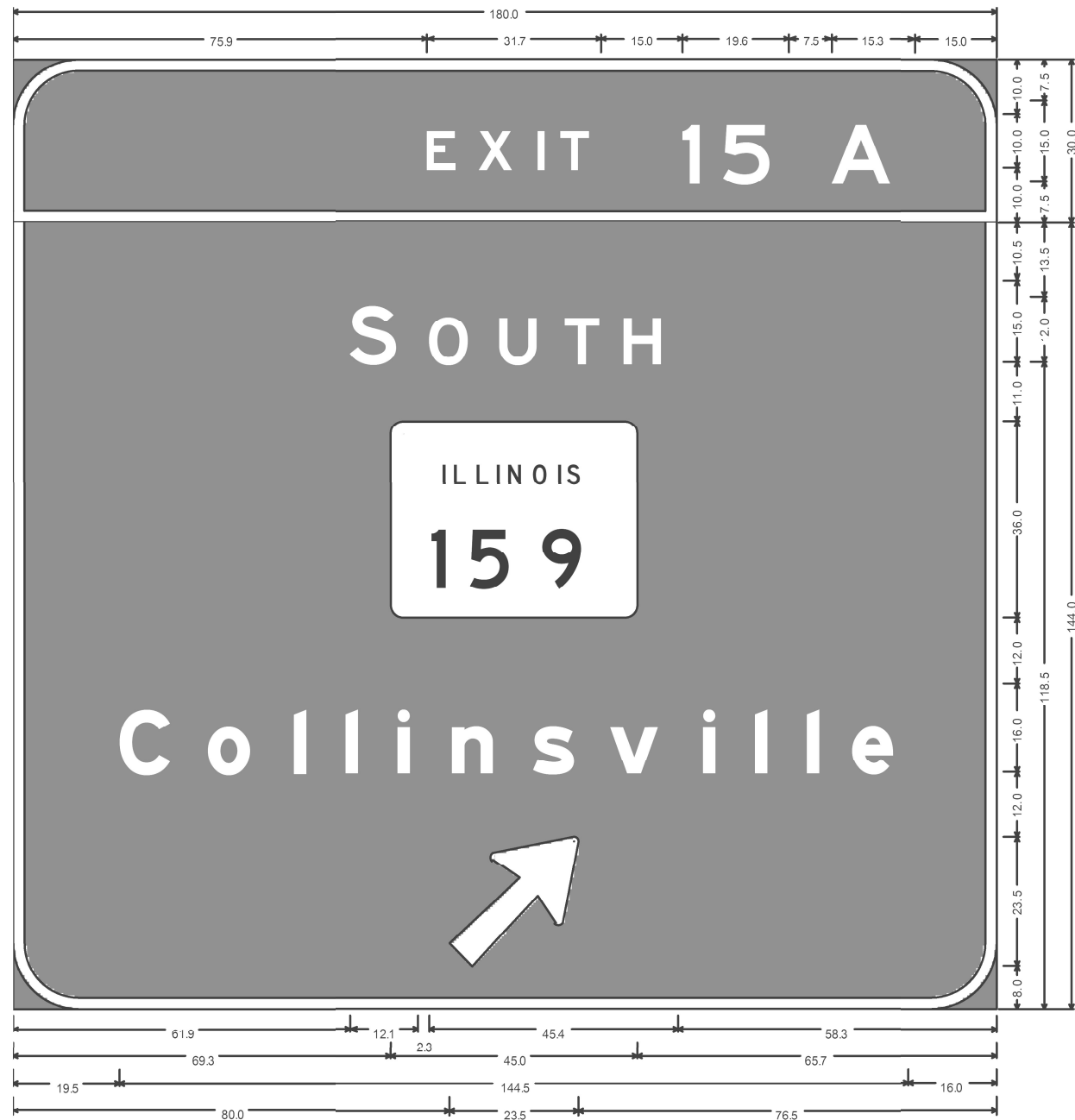
USER NAME = Michael.Berg	DESIGNED - _____	REVISED - _____
PLOT SCALE = 0.16666633' / in.	DRAWN - _____	REVISED - _____
PLOT DATE = 8/25/2023	CHECKED - _____	REVISED - _____
	DATE - _____	REVISED - _____

**STATE OF ILLINOIS  
DEPARTMENT OF TRANSPORTATION**

**LOCATION #3  
PROPOSED WORK**

SCALE: 1"=50' SHEET 2 OF 3 SHEETS STA. \_\_\_\_\_ TO STA. \_\_\_\_\_

F.A. RTE.	SECTION	COUNTY	TOTAL SHEETS	SHEET NO.
*	D-8 OVD SIN STR REPL 24-03	**	30	12
*VARIOUS			CONTRACT NO. 46629	
**ST. CLAIR, MADISON   ILLINOIS   FED. AID PROJECT				



12.0" Radius, 2.0" Border, White on Green;  
 "EXIT", E 2K 120% spacing; "15", E 2K; "A", E 2K;  
 12.0" Radius, 2.0" Border, White on Green;  
 "SOUTH", E 2K; "Collinsville", E Mod 2K; Arrow 133 - 300° 45°;

Table of letter and object lefts

E	X	I	T	I	S	A					
75.9	85.1	90.2	100.1	122.0	130.1	149.7					
S	O	U	T	H							
61.9	76.3	89.1	100.9	111.9							
69.3											
C	o	l	l	i	n	s	v	i	l	e	
19.5	35.5	51.4	61.0	70.6	80.2	95.4	109.1	126.1	135.7	145.3	153.4
80.0											

MODEL: Location #1 (Sheet)  
 FILE NAME: P:\Illinois\Projects\DOT\Office\District 8\ORD\Project\B84629\CADD\Drawings\CAD\Sheet\B84629-13.dwg

USER NAME = Michael.Berg	DESIGNED - _____	REVISED - _____
DRAWN - _____	CHECKED - _____	REVISED - _____
PLOT SCALE = 0.16666633' / in.	DATE - _____	REVISED - _____
PLOT DATE = 9/5/2023		

**STATE OF ILLINOIS  
DEPARTMENT OF TRANSPORTATION**

**LOCATION #3  
SIGN DESIGNS**

SCALE: 1"=50'    SHEET 3    OF 3    SHEETS    STA. \_\_\_\_+\_\_\_\_    TO STA. \_\_\_\_+\_\_\_\_

F.A. RTE.	SECTION	COUNTY	TOTAL SHEETS	SHEET NO.
*	D-8 OVD SIN STR REPL 24-03	**	30	13
*VARIOUS			CONTRACT NO. 46629	
**ST. CLAIR, MADISON   ILLINOIS   FED. AID PROJECT				



**PLAN VIEW**

EXISTING SIGNS & TRUSS



**EXISTING SIGNS & TRUSS**

MODEL: Location: 13 (Sheet)  
 FILE NAME: P:\MIDOT\Documents\DOT Office\District 8\ORD Project\B46629\CADD\B46629-14-13.dgn

USER NAME = Michael.Berg	DESIGNED - _____	REVISED - _____
DRAWN - _____	REVISOR - _____	REVISOR - _____
PLOT SCALE = 0.16666633' / in.	CHECKED - _____	REVISOR - _____
PLOT DATE = 8/25/2023	DATE - _____	REVISOR - _____

**STATE OF ILLINOIS  
DEPARTMENT OF TRANSPORTATION**

**LOCATION #4  
PLAN VIEW AND EXISTING SIGNS**

SCALE: 1"=50'

SHEET 1 OF 3 SHEETS STA. \_\_\_+\_\_\_ TO STA. \_\_\_+\_\_\_

F.A. RTE.	SECTION	COUNTY	TOTAL SHEETS	SHEET NO.
*	D-8 OVD SIN STR REPL 24-03	**	30	14
*VARIOUS			CONTRACT NO. 46629	
**ST. CLAIR, MADISON   ILLINOIS   FED. AID PROJECT				



**LOCATE PROPOSED GROUND MOUNTED SIGN 30'  
EAST OF EXISTING CANTILEVER TRUSS**

LOCATION 4									
	STRUCTURAL STEEL SIGN SUPPORT - BREAKAWAY							CONCRETE FOUNDATIONS	SIGN PANEL - TYPE 3
	SIZE	NEAR POST		FAR POST		STUB POST	WEIGHT		
		OFFSET	LENGTH	OFFSET	LENGTH				
	FT	FT	FT	FT	FT	POUND	CU YD	SF	
RT	W6X15	20.2 RT	13.97	26.8 RT	17.19	5	542.4	1.4	60.5
TOTALS							542.4	1.4	60.5

MODEL: Location 4 (Sheet)  
 FILE NAME: P:\DOT\Documents\DOT Office\District 8\ORD Project\B84629\CADD\B84629-11-31.dgn

USER NAME = Michael.Berg	DESIGNED - _____	REVISED - _____
	DRAWN - _____	REVISED - _____
PLOT SCALE = 0.16666633' / in.	CHECKED - _____	REVISED - _____
PLOT DATE = 8/25/2023	DATE - _____	REVISED - _____

**STATE OF ILLINOIS  
DEPARTMENT OF TRANSPORTATION**

LOCATION #4 PROPOSED WORK			
SCALE: 1"=50'	SHEET 2	OF 3 SHEETS	STA. ___+___ TO STA. ___+___

F.A. RTE. *	SECTION	COUNTY	TOTAL SHEETS	SHEET NO.
*	D-8 OVD SIN STR REPL 24-03	**	30	15
**VARIOUS			CONTRACT NO. 46629	
**ST. CLAIR, MADISON ILLINOIS FED. AID PROJECT				



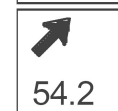
D5-2;

9.0" Radius, 2.0" Border, White on Blue;

"REST AREA", E 2K; Arrow 133 - 30.0" 45°;

Table of letter and object lefts

<b>R</b>	<b>E</b>	<b>S</b>	<b>T</b>	<b>A</b>	<b>R</b>	<b>E</b>	<b>A</b>
14.1	26.2	36.9	47.9	68.9	83.2	95.3	105.7



MODEL: Location: 15 (Sheet)  
 FILE NAME: P:\GIS\Projects\DOT\Documents\DOT Office\District 8\ORD Project\B84629\CADD\B84629-15-1.dgn

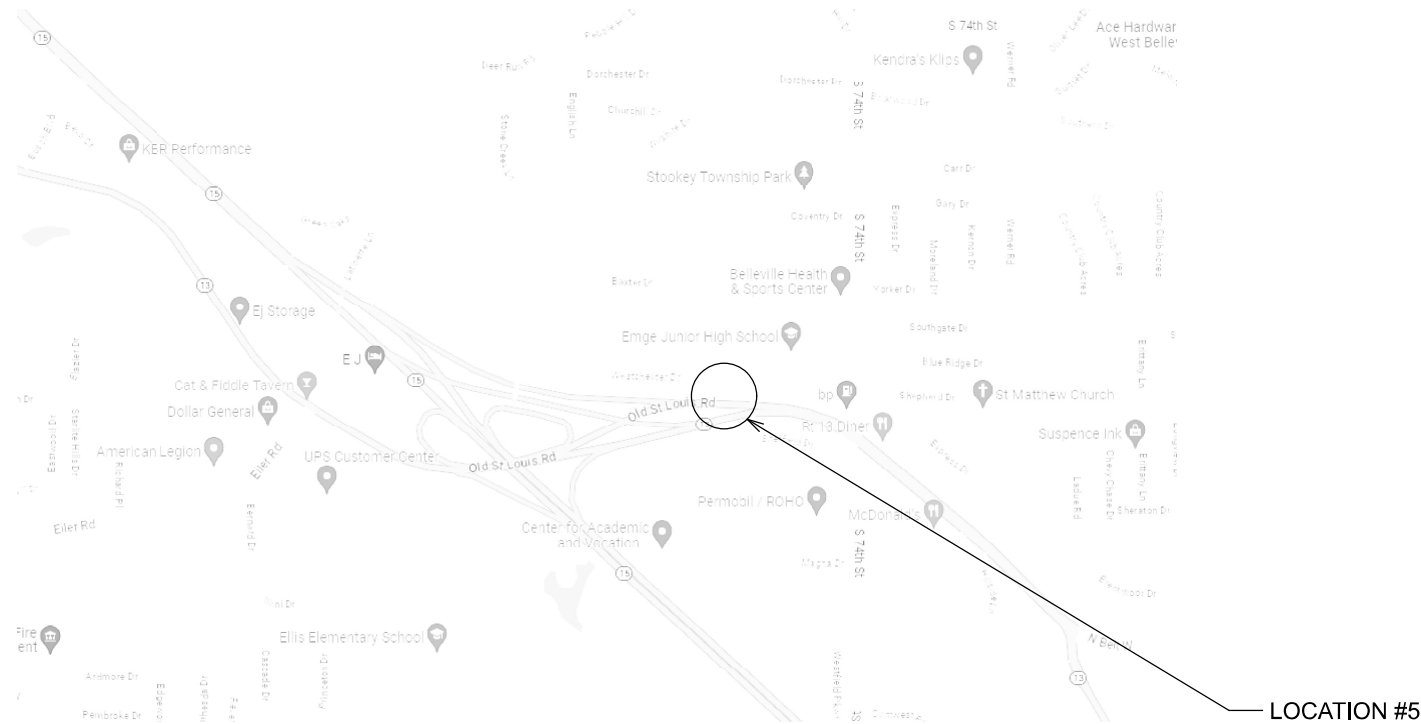
USER NAME = Michael.Berg	DESIGNED - _____	REVISED - _____
	DRAWN - _____	REVISED - _____
PLOT SCALE = 0.16666633' / in.	CHECKED - _____	REVISED - _____
PLOT DATE = 8/25/2023	DATE - _____	REVISED - _____

**STATE OF ILLINOIS  
DEPARTMENT OF TRANSPORTATION**

LOCATION #4 SIGN DESIGNS	
SCALE: 1"=50'	SHEET 3 OF 3 SHEETS
STA. ___+___	TO STA. ___+___

F.A. RTE. *	SECTION	COUNTY	TOTAL SHEETS	SHEET NO.
*	D-8 OVD SIN STR REPL 24-03	**	30	16
**VARIOUS			CONTRACT NO. 46629	
**ST. CLAIR, MADISON ILLINOIS FED. AID PROJECT				





**PLAN VIEW**



**EXISTING SIGNS & TRUSS**



**EXISTING SIGN**

MODEL: Location: 17 (Sheet)  
 FILE NAME: P:\MIDOT\Documents\BORD\Project\B84629\CADD\Data\CAD\Sheet\B84629-17.dgn

USER NAME = Michael.Berg	DESIGNED - _____	REVISED - _____
	DRAWN - _____	REVISED - _____
PLOT SCALE = 0.16666633' / in.	CHECKED - _____	REVISED - _____
PLOT DATE = 8/25/2023	DATE - _____	REVISED - _____

**STATE OF ILLINOIS  
DEPARTMENT OF TRANSPORTATION**

**LOCATION #5  
PLAN VIEW AND EXISTING SIGNS**

SCALE: 1"=50'

SHEET 1 OF 3 SHEETS STA. \_\_\_+\_\_\_ TO STA. \_\_\_+\_\_\_

F.A. RTE.	SECTION	COUNTY	TOTAL SHEETS	SHEET NO.
*	D-8 OVD SIN STR REPL 24-03	**	30	17
**VARIOUS			CONTRACT NO. 46629	
**ST. CLAIR, MADISON ILLINOIS FED. AID PROJECT				



**PLACE NEW SIGN 25' WEST  
OF EXISTING GROUND MOUNT**

LOCATION 5									
	STRUCTURAL STEEL SIGN SUPPORT - BREAKAWAY						CONCRETE FOUNDATIONS	SIGN PANEL - TYPE 3	
	SIZE	NEAR POST		FAR POST		STUB POST			WEIGHT
		OFFSET	LENGTH	OFFSET	LENGTH				
	FT	FT	FT	FT	FT	POUND	CU YD	SF	
RT	W16X45	16.4 RT	25.92	26.6 RT	27.42	7	2715.3	4.46	297.5
TOTALS							2715.3	4.46	297.5

MODEL: Location 10 (Sheet)  
 FILE NAME: P:\MIDOT\Documents\DOT Office\District 8\ORD Project\B84629\CADD\Drawings\CAD\Sheet\B84629-10-18.dwg

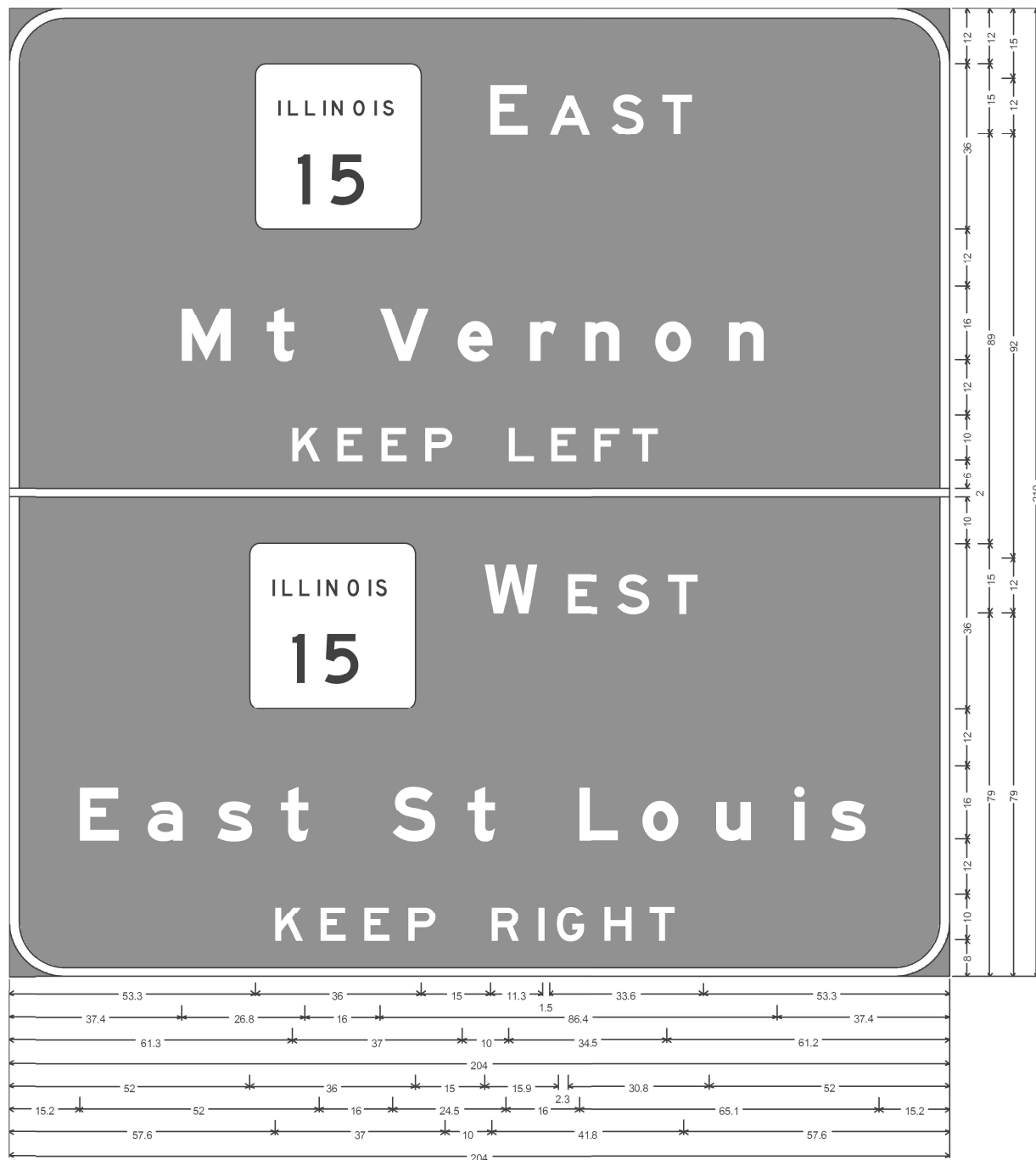
USER NAME = Michael.Berg	DESIGNED - _____	REVISED - _____
	DRAWN - _____	REVISED - _____
PLOT SCALE = 0.16666633' / in.	CHECKED - _____	REVISED - _____
PLOT DATE = 8/25/2023	DATE - _____	REVISED - _____

**STATE OF ILLINOIS  
DEPARTMENT OF TRANSPORTATION**

**LOCATION #5  
PROPOSED WORK**

SCALE: 1"=50' SHEET 2 OF 3 SHEETS STA. \_\_\_+\_\_\_ TO STA. \_\_\_+\_\_\_

F.A. RTE.	SECTION	COUNTY	TOTAL SHEETS	SHEET NO.
*	D-8 OVD SIN STR REPL 24-03	**	30	18
**VARIOUS			CONTRACT NO. 46629	
***ST. CLAIR, MADISON   ILLINOIS   FED. AID PROJECT				



12.0" Radius, 2.0" Border, White on Green;  
 "EAST", E 2K; "Mt Vernon", E Mod 2K; "KEEP LEFT", E 2K; "WEST", E 2K; "East St Louis", E Mod 2K; "KEEP RIGHT", E 2K;

Table of letter and object lefts

E	A	S	T							
53.3	104.3	117.1	130.6	141.7						
M	t	V	e	r	n	o	n			
37.4	55.9	80.2	97.4	112.9	124.7	140.2	156.1			
K	E	E	P	L	E	F	T			
61.3	71.2	80.7	90.2	108.3	117.4	126.9	135.3			
0.0										
W	S	T								
52.0	103.0	121.2	131.9	143.0						
E	a	s	t	S	t	L	o	u	i	s
15.2	29.9	45.1	58.9	83.2	99.4	123.7	137.6	153.4	170.4	178.2
K	E	E	P	R	I	G	H	T		
57.6	67.5	77.0	86.5	104.6	114.7	118.8	129.1	138.9		

MODEL: Location 10 (Sheet)  
 FILE NAME: P:\Illinois\Documents\DOT Office\District 8\OVD Project\846629\CADD\846629-10-31.dwg

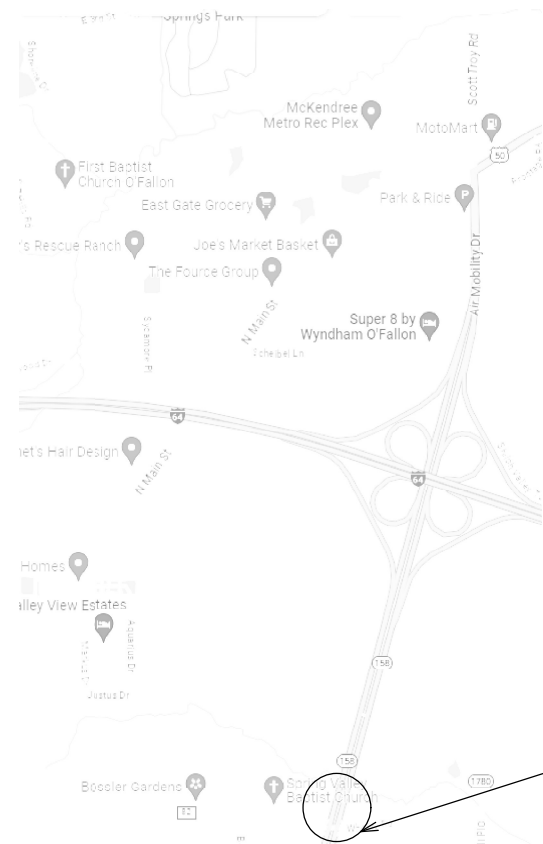
USER NAME = Michael.Berg	DESIGNED - _____	REVISED - _____
PLOT SCALE = 0.16666633' / in.	DRAWN - _____	REVISED - _____
PLOT DATE = 8/25/2023	CHECKED - _____	REVISED - _____
	DATE - _____	REVISED - _____

**STATE OF ILLINOIS  
DEPARTMENT OF TRANSPORTATION**

**LOCATION #5  
SIGN DESIGNS**

SCALE: 1"=50' SHEET 3 OF 3 SHEETS STA. \_\_\_+\_\_\_ TO STA. \_\_\_+\_\_\_

F.A. RTE.	SECTION	COUNTY	TOTAL SHEETS	SHEET NO.
*	D-8 OVD SIN STR REPL 24-03	**	30	19
*VARIOUS			CONTRACT NO. 46629	
**ST. CLAIR, MADISON   ILLINOIS   FED. AID PROJECT				



**PLAN VIEW**

LOCATION #6



**EXISTING SIGNS & TRUSS**

MODEL: Location 01 (Sheet)  
 FILE NAME: P:\MIDOT\Documents\BORD\Project\B46629\CADD\Drawings\B46629-14-Plan.dwg

USER NAME = Michael.Berg	DESIGNED - _____	REVISED - _____
PLOT SCALE = 0.16666633' / in.	DRAWN - _____	REVISED - _____
PLOT DATE = 8/25/2023	CHECKED - _____	REVISED - _____
	DATE - _____	REVISED - _____

**STATE OF ILLINOIS  
DEPARTMENT OF TRANSPORTATION**

<b>LOCATION #6 PLAN VIEW AND EXISTING SIGNS</b>			
SCALE: 1"=50'	SHEET 1	OF 3 SHEETS	STA. ___+___ TO STA. ___+___

F.A. RTE.	SECTION	COUNTY	TOTAL SHEETS	SHEET NO.
*	D-8 OVD SIN STR REPL 24-03	**	30	20
*VARIOUS			CONTRACT NO. 46629	
**ST. CLAIR, MADISON   ILLINOIS   FED. AID PROJECT				



PLACE NEW GROUND MOUNT 100'  
NORTH OF EXISTING TRUSS

LOCATION 6									
	STRUCTURAL STEEL SIGN SUPPORT - BREAKAWAY							CONCRETE FOUNDATIONS	SIGN PANEL - TYPE 3
	SIZE	NEAR POST		FAR POST		STUB POST	WEIGHT		
		OFFSET FT	LENGTH FT	OFFSET FT	LENGTH FT				
RT	W10X22	24.7 RT	18.45	32.8 RT	19.94	6	976.58	2.36	114.75
TOTALS							976.58	2.36	114.75

MODEL: Location 22 (Sheet)  
 FILE NAME: P:\MIDOT\Documents\DOT Office\District 8\ORD Project\B84629\CADD\B84629-18-30.dgn

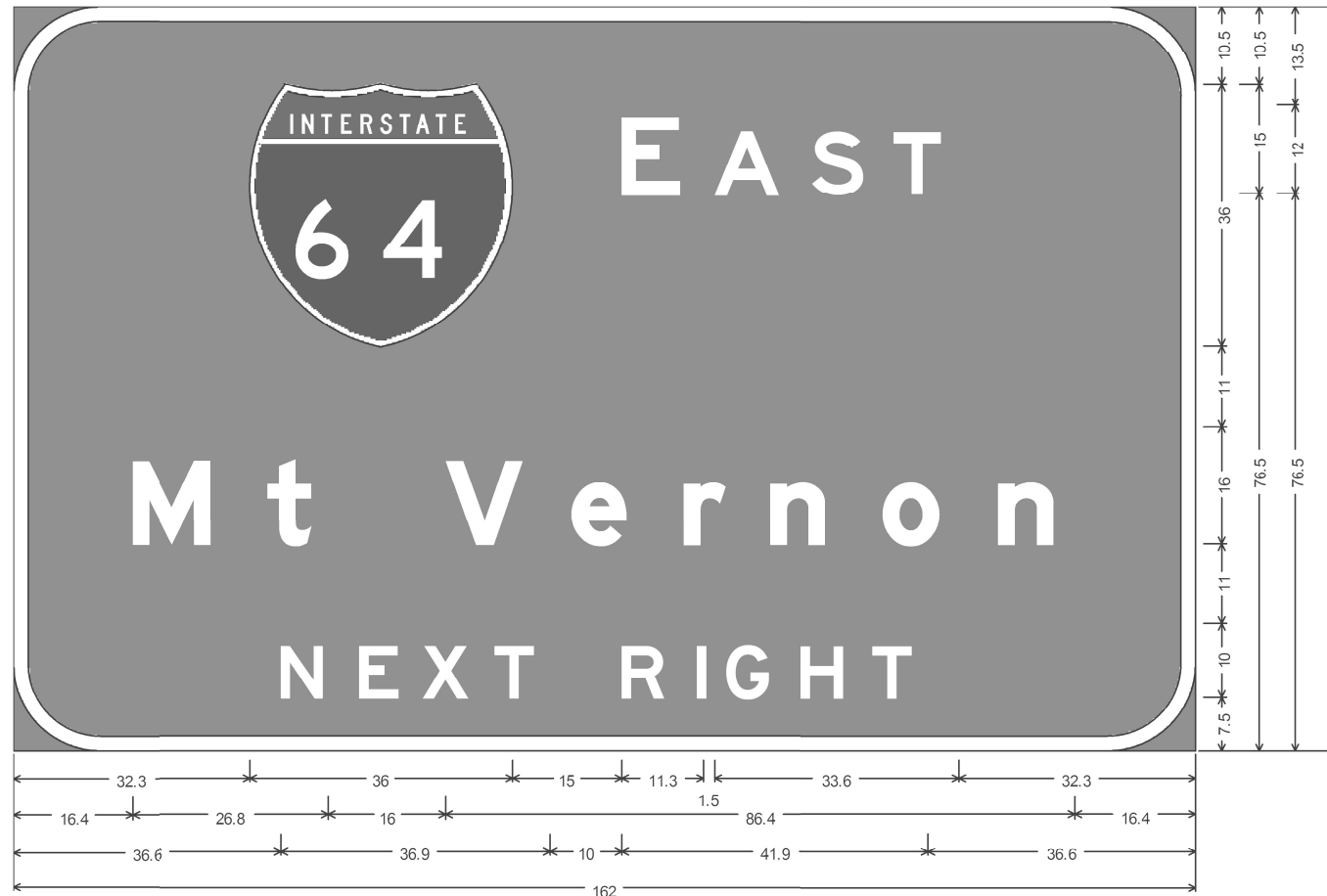
USER NAME = Michael.Berg	DESIGNED -	REVISD -
	DRAWN -	REVISD -
PLOT SCALE = 0.16666633' / in.	CHECKED -	REVISD -
PLOT DATE = 8/25/2023	DATE -	REVISD -

**STATE OF ILLINOIS  
DEPARTMENT OF TRANSPORTATION**

LOCATION #6  
PROPOSED WORK

SCALE: 1"=50'      SHEET 2 OF 3 SHEETS      STA. \_\_\_+\_\_\_ TO STA. \_\_\_+\_\_\_

F.A. RTE.	SECTION	COUNTY	TOTAL SHEETS	SHEET NO.
*	D-8 OVD SIN STR REPL 24-03	**	30	21
*VARIOUS			CONTRACT NO. 46629	
**ST. CLAIR, MADISON ILLINOIS FED. AID PROJECT				



12.0" Radius, 2.0" Border, White on Green;

"EAST", E 2K; "Mt Vernon", E Mod 2K; "NEXT RIGHT", E 2K;

Table of letter and object lefts

	E	A	S	T				
32.3	83.3	96.1	109.6	120.7				
M	t	V	e	r	n	o	n	
16.4	34.9	59.2	76.4	91.9	103.7	119.2	135.1	
N	E	X	T	R	I	G	H	T
36.6	47.3	56.2	66.0	83.5	93.6	97.7	108.1	117.9

MODEL: Location 23 (Sheet)  
 FILE NAME: P:\DOT\Documents\DOT Office\District 8\ORD Project\B84629\CADD\Drawings\CAD\Sheet\B84629-3h-sign.dwg

USER NAME = Michael.Berg	DESIGNED - _____	REVISED - _____
PLOT SCALE = 0.16666633 / in.	DRAWN - _____	REVISED - _____
PLOT DATE = 8/25/2023	CHECKED - _____	REVISED - _____
	DATE - _____	REVISED - _____

**STATE OF ILLINOIS  
DEPARTMENT OF TRANSPORTATION**

LOCATION #6 SIGN DESIGNS		SCALE: 1"=50'	SHEET 3	OF 3 SHEETS	STA. ___+___	TO STA. ___+___

F.A. RTE.	SECTION	COUNTY	TOTAL SHEETS	SHEET NO.
*	D-8 OVD SIN STR REPL 24-03	**	30	22
*VARIOUS			CONTRACT NO. 46629	
**ST. CLAIR, MADISON   ILLINOIS   FED. AID PROJECT				



**PLAN VIEW**

LOCATION #7



**EXISTING SIGNS & TRUSS**

MODEL: Location 25 (Sheet)  
 FILE NAME: P:\MIDOT\Documents\IDOT Office\District 8\ORD Project\B84629\CADD\Drawings\B84629-14-Plan.dwg

USER NAME = Michael.Berg	DESIGNED - _____	REVISED - _____
	DRAWN - _____	REVISED - _____
PLOT SCALE = 0.16666633' / in.	CHECKED - _____	REVISED - _____
PLOT DATE = 8/25/2023	DATE - _____	REVISED - _____

**STATE OF ILLINOIS  
DEPARTMENT OF TRANSPORTATION**

**LOCATION #7  
PLAN VIEW AND EXISTING SIGNS**

SCALE: 1"=50'

SHEET 1 OF 3 SHEETS STA. \_\_\_+\_\_\_ TO STA. \_\_\_+\_\_\_

F.A. RTE.	SECTION	COUNTY	TOTAL SHEETS	SHEET NO.
*	D-8 OVD SIN STR REPL 24-03	**	25	23
*VARIOUS			CONTRACT NO. 46629	
**ST. CLAIR, MADISON   ILLINOIS   FED. AID PROJECT				



PLACE PROPOSED GROUND MOUNT 65'  
NORTH OF EXISTING CANTILEVER

LOCATION 7									
	STRUCTURAL STEEL SIGN SUPPORT - BREAKAWAY							CONCRETE FOUNDATIONS	SIGN PANEL - TYPE 3
	SIZE	NEAR POST		FAR POST		STUB POST	WEIGHT		
		OFFSET	LENGTH	OFFSET	LENGTH				
		FT	FT	FT	FT	FT	POUND	CU YD	SF
RT	W10X22	10 RT	17.56	18.1 RT	18.78	6	931.48	2.36	135
TOTALS							931.48	2.36	135

MODEL: Location 20 (Sheet)  
 FILE NAME: P:\MIDOT\Documents\DOT Office\District 8\ORD Project\B84629\CADD\B84629-04-01.dwg

USER NAME = Michael.Berg	DESIGNED -	REVISD -
	DRAWN -	REVISD -
PLOT SCALE = 0.16666633' / in.	CHECKED -	REVISD -
PLOT DATE = 8/25/2023	DATE -	REVISD -

**STATE OF ILLINOIS  
DEPARTMENT OF TRANSPORTATION**

LOCATION #7 PROPOSED WORK			
SCALE: 1"=50'	SHEET 2	OF 3 SHEETS	STA. ___+___ TO STA. ___+___

F.A. RTE.	SECTION	COUNTY	TOTAL SHEETS	SHEET NO.
*	D-8 OVD SIN STR REPL 24-03	**	30	24
*VARIOUS		CONTRACT NO. 46629		
**ST. CLAIR, MADISON ILLINOIS FED. AID PROJECT				





12.0" Radius, 2.0" Border, White on Green;  
 "EAST", E 2K; "Mt Vernon", E Mod 2K; Arrow 160 - 35.0" 45°;

Table of letter and object lefts

	E	A	S	T			
32.3	83.3	96.1	109.6	120.7			
M	t	V	e	r	n	o	n
16.4	34.9	59.2	76.4	91.9	103.7	119.2	135.1
67.2							

MODEL: Location: 07 (Sheet)  
 FILE NAME: P:\GIS\Projects\DOT\Office\District 8\ORD Project\B84629\CADD\B84629-07-01.dgn

USER NAME = Michael.Berg	DESIGNED - _____	REVISED - _____
PLOT SCALE = 0.16666633' / in.	DRAWN - _____	REVISED - _____
PLOT DATE = 8/25/2023	CHECKED - _____	REVISED - _____
	DATE - _____	REVISED - _____

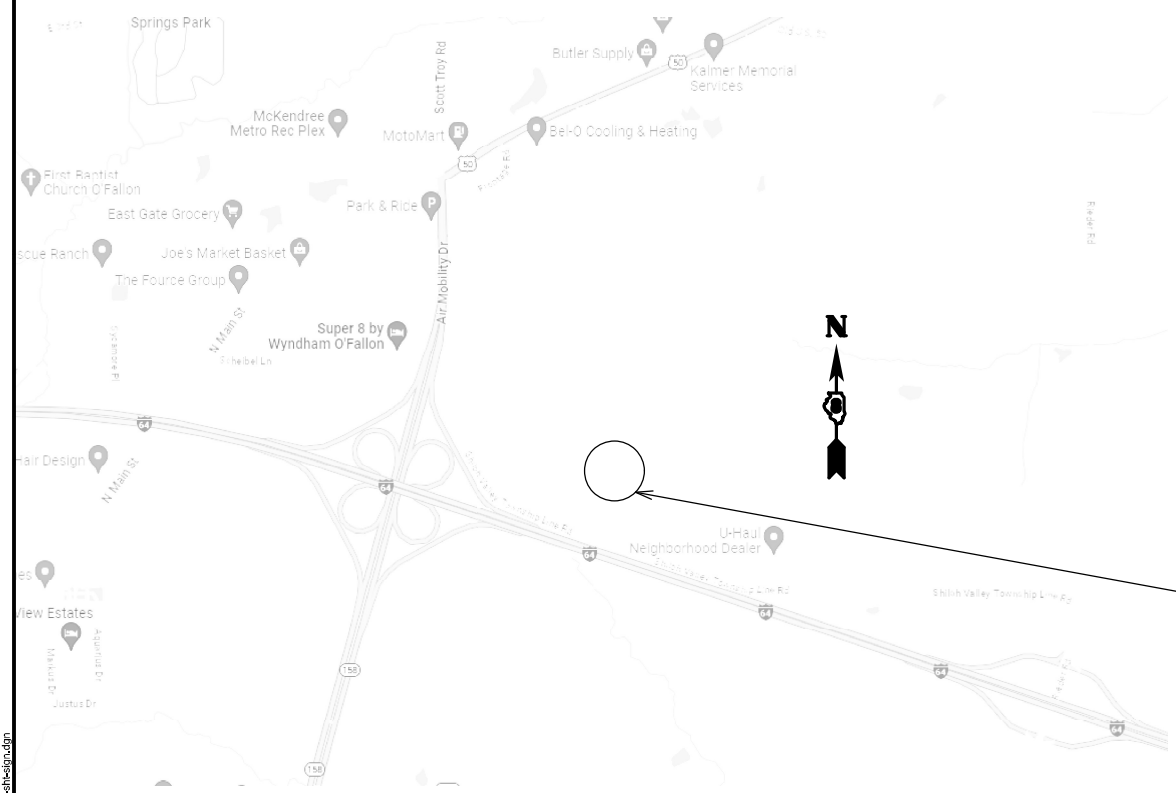
**STATE OF ILLINOIS  
DEPARTMENT OF TRANSPORTATION**

**LOCATION #7  
SIGN DESIGNS**

SCALE: 1"=50'    SHEET 3    OF 3    SHEETS    STA. \_\_\_\_+\_\_\_\_    TO STA. \_\_\_\_+\_\_\_\_

F.A. RTE.	SECTION	COUNTY	TOTAL SHEETS	SHEET NO.
*	D-8 OVD SIN STR REPL 24-03	**	30	25
*VARIOUS			CONTRACT NO. 46629	
**ST. CLAIR, MADISON   ILLINOIS   FED. AID PROJECT				

MODEL: Location 08 (Sheet)  
 FILE NAME: P:\MIDOT\Documents\BORD\Project\B46629\CADD\Drawings\CAD\Sheet\B46629-08-Plan.dwg



PLAN VIEW



LOCATION #8

EXISTING SIGNS & TRUSS

USER NAME = Michael.Berg	DESIGNED - _____	REVISED - _____
PLOT SCALE = 0.16666633' / in.	DRAWN - _____	REVISED - _____
PLOT DATE = 8/25/2023	CHECKED - _____	REVISED - _____
	DATE - _____	REVISED - _____

STATE OF ILLINOIS  
 DEPARTMENT OF TRANSPORTATION

SCALE: 1"=50'		SHEET 1 OF 3 SHEETS		STA. ___+___ TO STA. ___+___	
---------------	--	---------------------	--	------------------------------	--

LOCATION #8  
 PLAN VIEW AND EXISTING SIGNS

F.A. RTE.	SECTION	COUNTY	TOTAL SHEETS	SHEET NO.
*	D-8 OVD SIN STR REPL 24-03	**	30	26
**VARIOUS			CONTRACT NO. 46629	
**ST. CLAIR, MADISON ILLINOIS FED. AID PROJECT				

LOCATE PROPOSED SIGN 100'  
SOUTH OF EXISTING TRUSS



LOCATION 8									
	STRUCTURAL STEEL SIGN SUPPORT - BREAKAWAY						CONCRETE FOUNDATIONS	SIGN PANEL - TYPE 3	
	SIZE	NEAR POST		FAR POST		STUB POST			WEIGHT
		OFFSET FT	LENGTH FT	OFFSET FT	LENGTH FT		FT	POUND	
RT	W8X18	12 RT	14.86	24 RT	16.57	2.5	610.74	1.4	140
TOTALS							610.74	1.4	140

MODEL: Location 80 (Sheet)  
FILE NAME: P:\MIDOT\Documents\DOT Office\District 8\ORD Project\B846629\CADD\B846629-08-2023.dgn

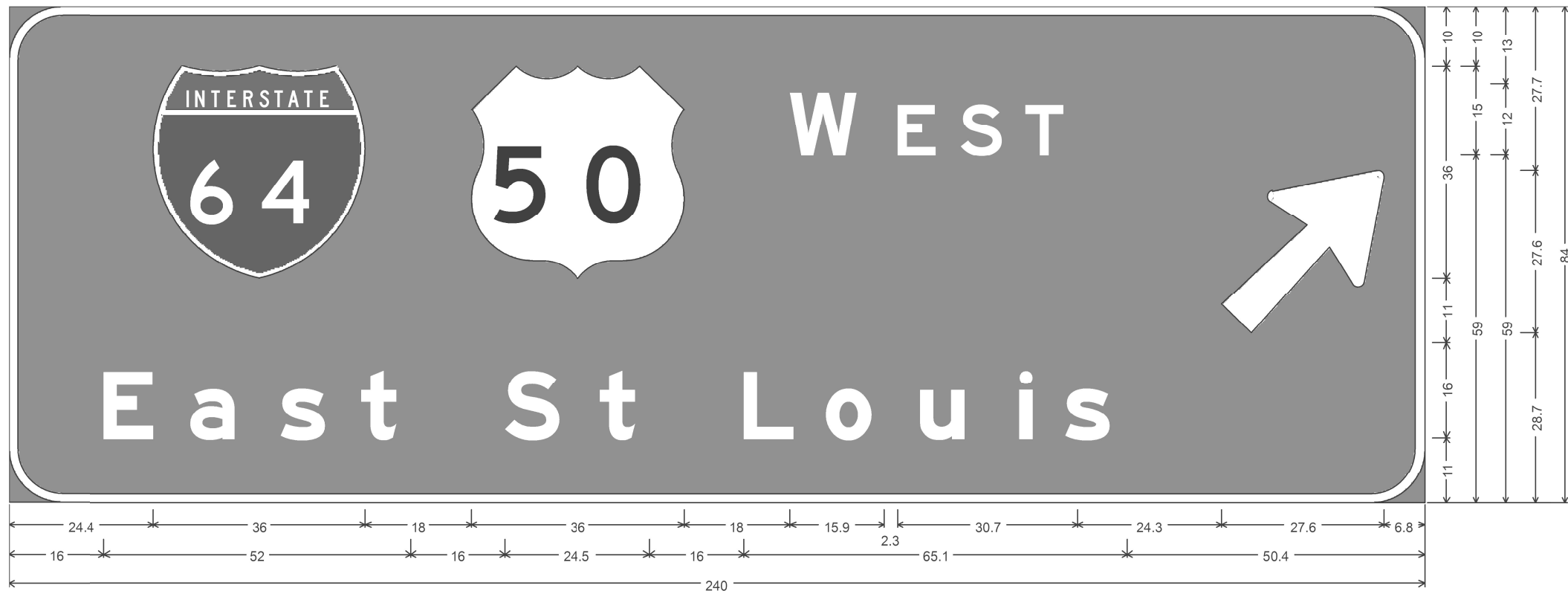
USER NAME = Michael.Berg	DESIGNED - ____	REVISED - ____
	DRAWN - ____	REVISED - ____
PLOT SCALE = 0.16666633' / in.	CHECKED - ____	REVISED - ____
PLOT DATE = 8/25/2023	DATE - ____	REVISED - ____

**STATE OF ILLINOIS  
DEPARTMENT OF TRANSPORTATION**

**LOCATION #8  
PROPOSED WORK**

SCALE: 1"=50' SHEET 2 OF 3 SHEETS STA. \_\_\_+\_\_\_ TO STA. \_\_\_+\_\_\_

F.A. RTE.	SECTION	COUNTY	TOTAL SHEETS	SHEET NO.
*	D-8 OVD SIN STR REPL 24-03	**	30	27
*VARIOUS			CONTRACT NO. 46629	
**ST. CLAIR, MADISON   ILLINOIS   FED. AID PROJECT				



9.0" Radius, 1.5" Border, White on Green;

"WEST", E 2K; "East St Louis", E Mod 2K; Arrow 160 - 35.0" 45°;

Table of letter and object lefts

		W	E	S	T					
24.4	78.4	132.4	150.6	161.3	172.3	205.6				
E	a	s	t	S	t	L	o	u	i	s
16.0	30.8	46.0	59.7	84.0	100.2	124.5	138.4	154.3	171.2	179.1

MODEL: Location 01 (Sheet)  
 FILE NAME: P:\MIDOT\Documents\DOT Office\District 8\ORD Project\B846629\CADD\B846629-01-01.dwg

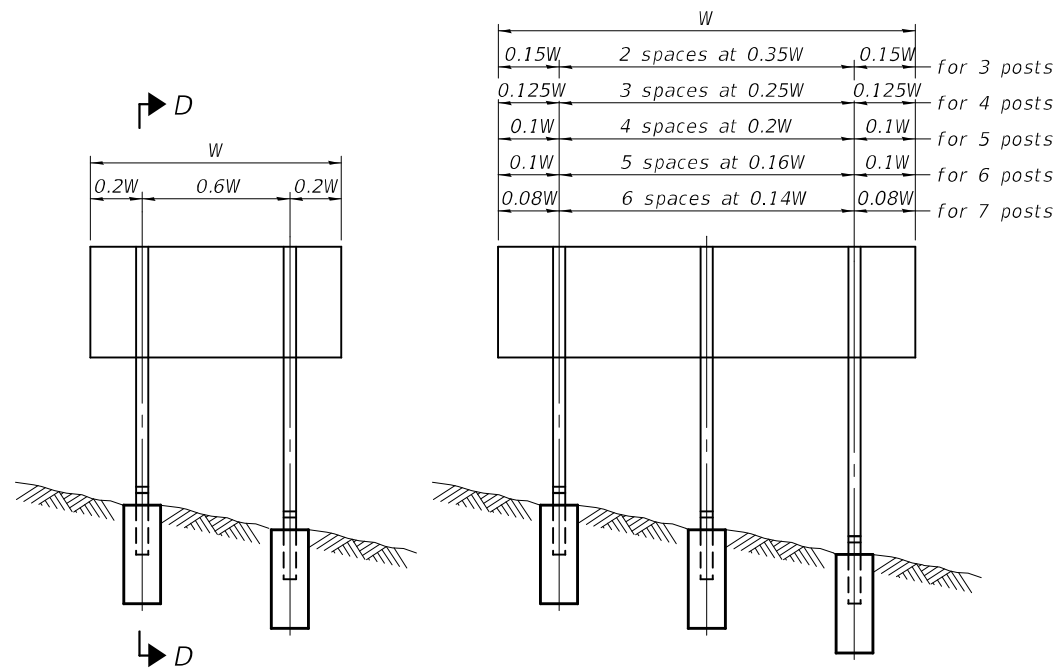
USER NAME = Michael.Berg	DESIGNED - _____	REVISED - _____
	DRAWN - _____	REVISED - _____
PLOT SCALE = 0.16666633' / in.	CHECKED - _____	REVISED - _____
PLOT DATE = 8/25/2023	DATE - _____	REVISED - _____

**STATE OF ILLINOIS  
DEPARTMENT OF TRANSPORTATION**

**LOCATION #8  
SIGN DESIGNS**

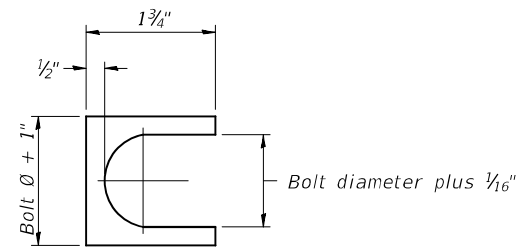
SCALE: 1"=50'    SHEET 3    OF 3    SHEETS    STA. \_\_\_\_+\_\_\_\_    TO STA. \_\_\_\_+\_\_\_\_

F.A. * RTE.:	SECTION	COUNTY	TOTAL SHEETS	SHEET NO.
*	D-8 OVD SIN STR REPL 24-03	**	30	28
**VARIOUS			CONTRACT NO. 46629	
**ST. CLAIR, MADISON   ILLINOIS   FED. AID PROJECT				



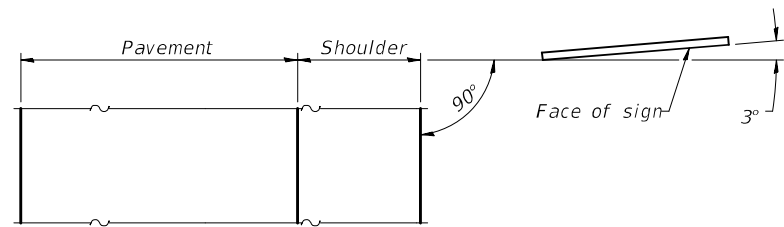
**ELEVATION**

0.15W	2 spaces at 0.35W	0.15W	for 3 posts
0.125W	3 spaces at 0.25W	0.125W	for 4 posts
0.1W	4 spaces at 0.2W	0.1W	for 5 posts
0.1W	5 spaces at 0.16W	0.1W	for 6 posts
0.08W	6 spaces at 0.14W	0.08W	for 7 posts

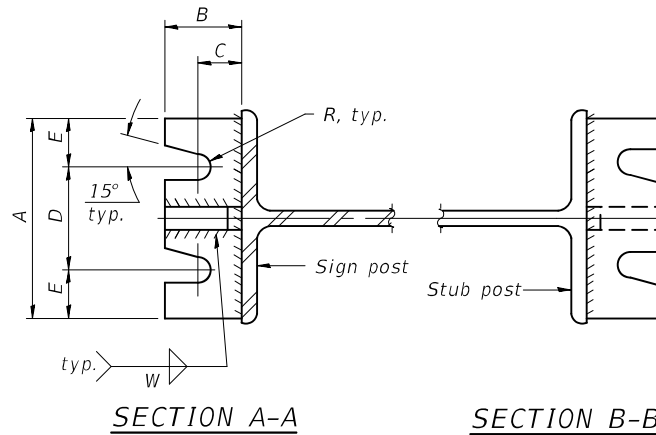


**SHIM DETAIL**

Furnish two 0.01" thick and two 0.03" thick stainless steel or brass (ASTM B36) shims per post.



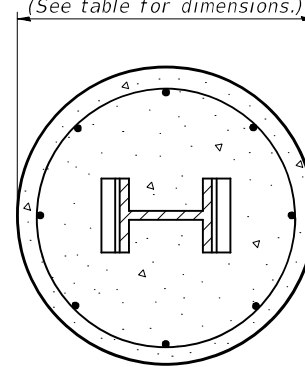
**LOCATION SKETCH**



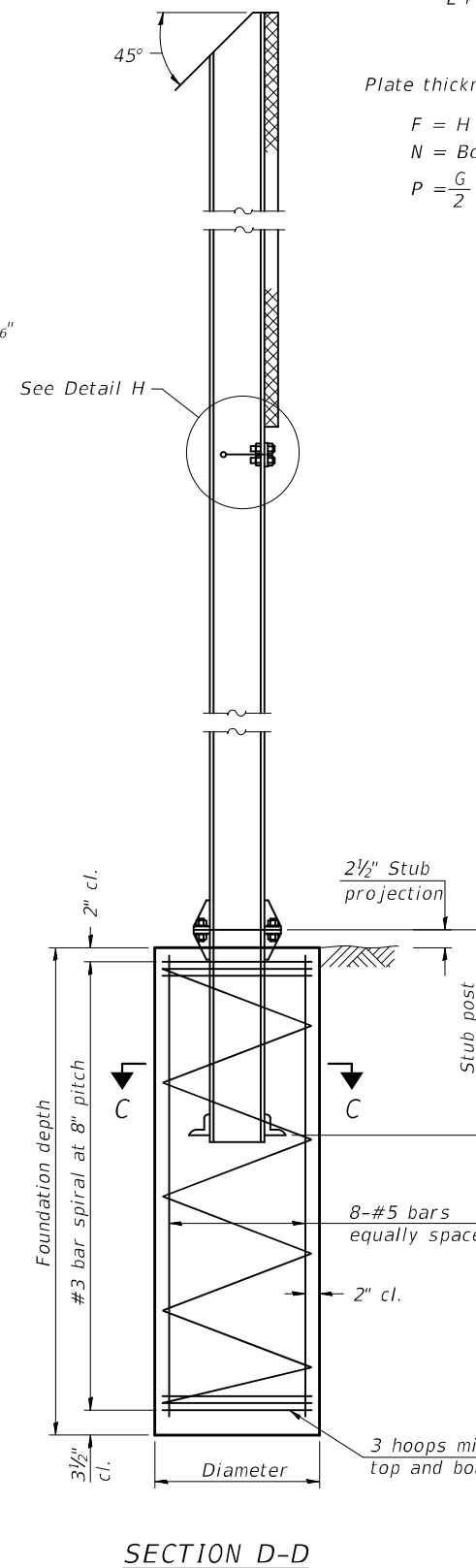
**SECTION A-A**

**SECTION B-B**

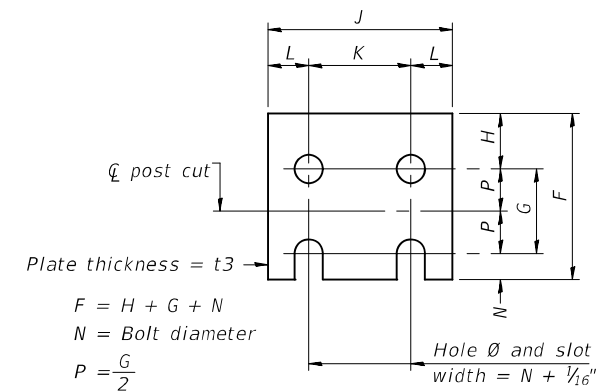
(See table for dimensions.)



**SECTION C-C**

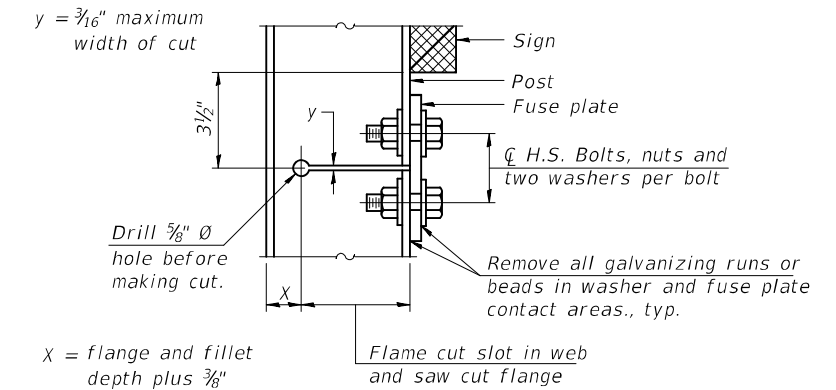


**SECTION D-D**

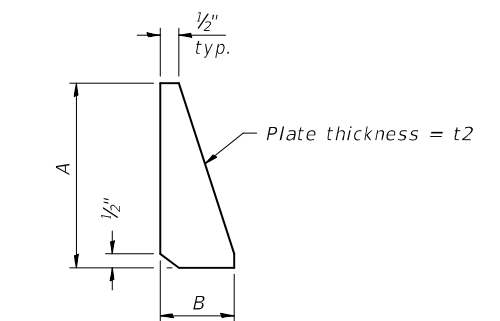


**FUSE PLATE DETAIL**  
(Install with notches down.)

N = Bolt Diameter	G	H
1/2"	2"	1 1/8"
5/8"	2 1/4"	1 1/4"
3/4"	2 1/2"	1 3/8"
7/8"	2 3/4"	1 1/2"
1"	3"	1 5/8"
1 1/8"	3 1/4"	1 3/4"
1 1/4"	3 1/2"	1 7/8"



**DETAIL H**



**STIFFENER PLATE DETAIL**  
Diameter

**GENERAL NOTES**

Posts shall be plumbed by using shims with post-to-stub post connection bolts snug tight only. Final tightening of all High Strength Bolts shall be in accordance with Article 727.05 and threads at the junction of the bolt and nut shall be burred or center punched to prevent the nut from loosening.

LOADING: 80 m.p.h. wind with 30% gust factor, normal to sign.

DESIGN STRESSES:  
Structural steel - 20,000 p.s.i.  
Reinforcing steel - 20,000 p.s.i.  
Concrete - 1,400 p.s.i.  
Footing soil pressure - 2,000 p.s.f.

After fabrication, the post, fuse plate and upper 6", min. of the stub post shall be hot-dip galvanized in accordance with AASHTO M111. All bolts, nuts and washers shall be hot-dip galvanized in accordance with AASHTO M232.

Work this sheet with Base Sheet BAW-A-2.

BAW-A-1

2-17-2017

(Sheet 1 of 2)

FILE NAME =	USER NAME =	DESIGNED -	REVISIONS -
		CHECKED -	REVISIONS -
		DRAWN -	REVISIONS -
		CHECKED -	REVISIONS -

STATE OF ILLINOIS  
DEPARTMENT OF TRANSPORTATION

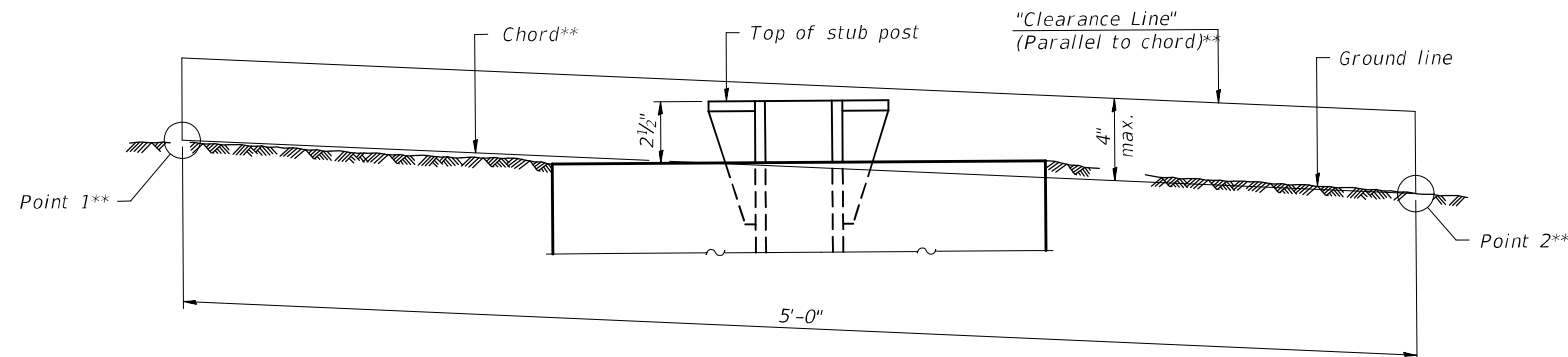
BREAK-AWAY WIDE FLANGE  
STEEL SIGN POST DETAILS

F.A. RTE.	SECTION	COUNTY	TOTAL SHEETS	SHEET NO.
*	D-8 OVD SIN STR REPL 24-03	**	30	29
**MADISON AND ST. CLAIR	CONTRACT NO. 46629			
*VARIOUS	ILLINOIS FED. AID PROJECT			

POST	CONCRETE FOUNDATION TABLE							POST TO STUB POST CONNECTION DATA										FUSE PLATE DATA				
	Foundation			Reinforcement				Stub Post Length	Bolt Size	A	B	C	D	E	t1	t2	R	W	J	K	L	t3
	Diameter*	Minimum Depth	Concrete (1) cu. yds.)	Vertical Bars Length	Bar Diameter	Spirals Length	lbs. (2)															
W6x9	2'-0"	6'-0"	0.70	5'-9"	1'-8 1/2"	79'-0"	78	2'-3"	5/8" x 3 1/4"	6"	2 1/4"	1 1/4"	3 1/2"	1 1/4"	3/4"	1/2"	1 1/2"	1/4"	4"	2 1/4"	7/8"	1/4"
W6x15	2'-0"	6'-0"	0.70	5'-9"	1'-8 1/2"	79'-0"	78	2'-6"	5/8" x 3 1/4"	6"	2 1/4"	1 1/4"	3 1/2"	1 1/4"	3/4"	1/2"	1 1/2"	1/4"	6"	3 1/2"	1 1/4"	3/8"
W8x18	2'-0"	6'-0"	0.70	5'-9"	1'-8 1/2"	79'-0"	78	2'-6"	3/4" x 3 3/4"	6"	2 1/2"	1 3/8"	3 1/4"	1 3/8"	1"	1/2"	1 3/2"	5/16"	5 1/4"	2 3/4"	1 1/4"	3/8"
W10x22	2'-6"	6'-6"	1.18	6'-3"	2'-2 1/2"	105'-0"	92	3'-0"	3/4" x 3 3/4"	6"	2 1/2"	1 3/8"	3 1/4"	1 3/8"	1"	1/2"	1 3/2"	5/16"	5 3/4"	2 3/4"	1 1/2"	1/2"
W10x26	2'-6"	7'-0"	1.27	6'-9"	2'-2 1/2"	112'-0"	98	3'-0"	7/8" x 4"	7"	2 3/4"	1 1/2"	4"	1 1/2"	1"	3/4"	1 5/2"	3/8"	5 3/4"	2 3/4"	1 1/2"	5/8"
W12x26	2'-6"	7'-9"	1.41	7'-6"	2'-2 1/2"	119'-0"	107	3'-0"	7/8" x 4"	7"	2 3/4"	1 1/2"	4"	1 1/2"	1"	3/4"	1 5/2"	3/8"	6 1/2"	3 1/2"	1 1/2"	5/8"
W14x30	3'-0"	7'-3"	1.90	7'-0"	2'-8 1/2"	145'-0"	113	3'-0"	7/8" x 4"	7"	2 3/4"	1 1/2"	4"	1 1/2"	1"	3/4"	1 5/2"	3/8"	6 3/4"	3 1/2"	1 5/8"	1/2"
W14x38	3'-0"	8'-0"	2.09	7'-9"	2'-8 1/2"	153'-0"	122	3'-6"	1" x 4 1/2"	7 1/2"	3"	1 3/4"	4"	1 3/4"	1 1/4"	3/4"	1 7/2"	3/8"	6 3/4"	3 1/2"	1 5/8"	1/2"
W16x45	3'-0"	8'-6"	2.23	8'-3"	2'-8 1/2"	162'-0"	130	3'-6"	1" x 4 1/2"	7 1/2"	3"	1 3/4"	4"	1 3/4"	1 1/4"	3/4"	1 7/2"	3/8"	7"	3 1/2"	1 3/4"	1/2"

\*Dimensional changes required for varying site conditions shall be approved by the Engineer.

POST	FUSE PLATE BOLT SIZE																					
	Sign Height																					
	4'-0"	5'-0"	6'-0"	7'-0"	8'-0"	9'-0"	10'-0"	11'-0"	12'-0"	13'-0"	14'-0"	15'-0"	16'-0"	17'-0"	18'-0"	19'-0"	20'-0"	21'-0"	22'-0"	23'-0"	24'-0"	
W6x9	1/2" x 1 1/2"	1/2" x 1 1/2"	1/2" x 1 1/2"	1/2" x 1 1/2"	---	---	---	---	---	---	---	---	---	---	---	---	---	---	---	---	---	
W6x15	1/2" x 1 3/4"	1/2" x 1 3/4"	1/2" x 1 3/4"	5/8" x 2"	5/8" x 2"	3/4" x 2"	3/4" x 2"	3/4" x 2"	3/4" x 2"	---	---	---	---	---	---	---	---	---	---	---	---	
W8x18	1/2" x 1 3/4"	1/2" x 1 3/4"	1/2" x 1 3/4"	1/2" x 1 3/4"	5/8" x 2"	5/8" x 2"	3/4" x 2"	3/4" x 2"	3/4" x 2"	3/4" x 2"	---	---	---	---	---	---	---	---	---	---	---	
W10x22	1/2" x 2"	1/2" x 2"	1/2" x 2"	1/2" x 2"	5/8" x 2"	5/8" x 2"	3/4" x 2 1/4"	3/4" x 2 1/4"	3/4" x 2 1/4"	3/4" x 2 1/4"	3/4" x 2 1/4"	3/4" x 2 1/4"	3/4" x 2 1/4"	---	---	---	---	---	---	---	---	
W10x26	1/2" x 2"	1/2" x 2"	1/2" x 2"	1/2" x 2"	5/8" x 2 1/4"	5/8" x 2 1/4"	3/4" x 2 1/2"	3/4" x 2 1/2"	3/4" x 2 1/2"	3/4" x 2 1/2"	3/4" x 2 1/2"	3/4" x 2 1/2"	3/4" x 2 1/2"	3/4" x 2 1/2"	---	---	---	---	---	---	---	
W12x26	1/2" x 2"	1/2" x 2"	1/2" x 2"	1/2" x 2"	5/8" x 2 1/4"	5/8" x 2 1/4"	3/4" x 2 1/2"	3/4" x 2 1/2"	3/4" x 2 1/2"	3/4" x 2 1/2"	3/4" x 2 1/2"	3/4" x 2 1/2"	3/4" x 2 1/2"	3/4" x 2 1/2"	3/4" x 2 1/2"	---	---	---	---	---	---	
W14x30	1/2" x 2"	1/2" x 2"	1/2" x 2"	1/2" x 2"	5/8" x 2"	5/8" x 2"	3/4" x 2 1/4"	3/4" x 2 1/4"	3/4" x 2 1/4"	3/4" x 2 1/4"	3/4" x 2 1/4"	3/4" x 2 1/4"	3/4" x 2 1/4"	3/4" x 2 1/4"	3/4" x 2 1/4"	3/4" x 2 1/4"	---	---	---	---	---	
W14x38	1/2" x 2"	1/2" x 2"	1/2" x 2"	1/2" x 2"	5/8" x 2 1/4"	5/8" x 2 1/4"	3/4" x 2 1/2"	3/4" x 2 1/2"	3/4" x 2 1/2"	3/4" x 2 1/2"	3/4" x 2 1/2"	7/8" x 2 1/2"	7/8" x 2 1/2"	1" x 2 3/4"	1" x 2 3/4"	1" x 2 3/4"	1" x 2 3/4"	1" x 2 3/4"	1" x 2 3/4"	1" x 2 3/4"	1" x 2 3/4"	1" x 2 3/4"
W16x45	---	1/2" x 2"	1/2" x 2"	1/2" x 2"	1/2" x 2"	1/2" x 2"	5/8" x 2 1/4"	5/8" x 2 1/4"	5/8" x 2 1/4"	3/4" x 2 1/2"	3/4" x 2 1/2"	7/8" x 2 1/2"	7/8" x 2 1/2"	1" x 2 3/4"	1" x 2 3/4"	1" x 2 3/4"	1" x 2 3/4"	1" x 2 3/4"	1" x 2 3/4"	1" x 2 3/4"	1" x 2 3/4"	1" x 2 3/4"



**ELEVATION**  
**GROUND LINE & STUB POST**

\*\* For all "Point 1" and "Point 2" locations, "Clearance Line" must be at or above top of stub post.

- ① Quantity includes all concrete necessary for one foundation.
- ② Includes reinforcement bars and spiral hooping for one foundation.

BAW-A-2

2-17-2017

(Sheet 2 of 2)

FILE NAME =	USER NAME =	DESIGNED -	REVISED -	<b>STATE OF ILLINOIS DEPARTMENT OF TRANSPORTATION</b>	<b>BREAK-AWAY WIDE FLANGE STEEL SIGN POST TABLES</b>	F.A. * RTE.	SECTION	COUNTY	TOTAL SHEETS	SHEET NO.
		CHECKED -	REVISED -			* D8 OVD SN STR REP 24-03	**		30	30
		DRAWN -	REVISED -			**MADISON AND ST. CLAIR		CONTRACT NO. 46629		
		PLOT SCALE =	REVISED -			VARIOUS		ILLINOIS FED. AID PROJECT		
		PLOT DATE =	CHECKED -							