

F.A.S. RTE	SECTION	COUNTY	TOTAL SHEETS	SHEET NO.
574	20-00056-08-PV	MENARD	98	1
		ILLINOIS	CONTRACT NO. 93775	

11-17-2023 LETTING ITEM 102

STATE OF ILLINOIS
DEPARTMENT OF TRANSPORTATION

PLANS FOR PROPOSED HIGHWAY SAFETY IMPROVEMENT

HIGH RISK RURAL ROADS PROGRAM
F.A.S. ROUTE 574 – C.H. 2 (ATHENS BLACKTOP)

PROJECT NO. OPGI(734)
SECTION 20-00056-08-PV
MENARD COUNTY
JOB NO. C-96-074-21

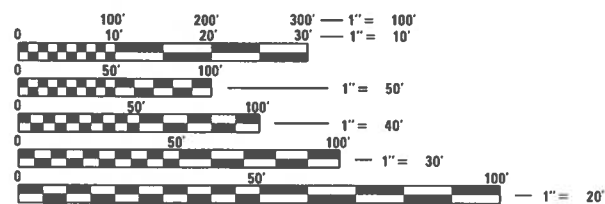
INDEX OF SHEETS

- 1 - TITLE SHEET
- 2 - GENERAL NOTES
- 3-6 - SUMMARY OF QUANTITIES
- 7-8 - TYPICAL SECTIONS
- 9-13 - ENTRANCE AND INTERSECTION DETAILS
- 14-19 - CROSS ROAD CULVERT DETAILS
- 20-24 - QUANTITY SCHEDULES
- 25 - CONTROL POINTS, CROSS TIES
- 26-32 - PLAN & PROFILE
- 33 - SIGN & BARRICADE LOCATION PLAN
- 34-98 - CROSS SECTIONS

STANDARDS

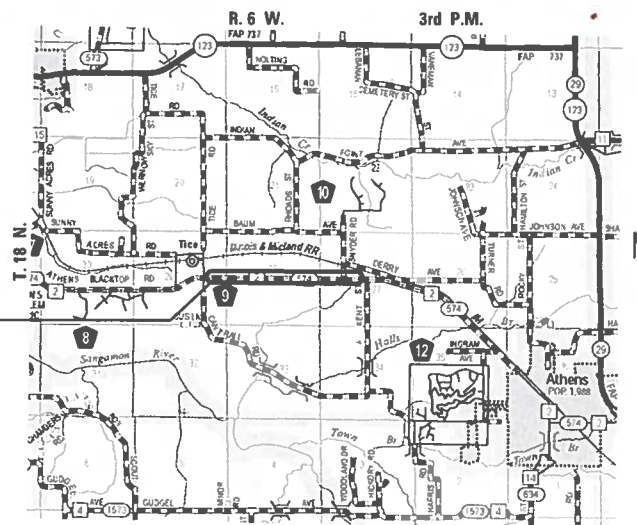
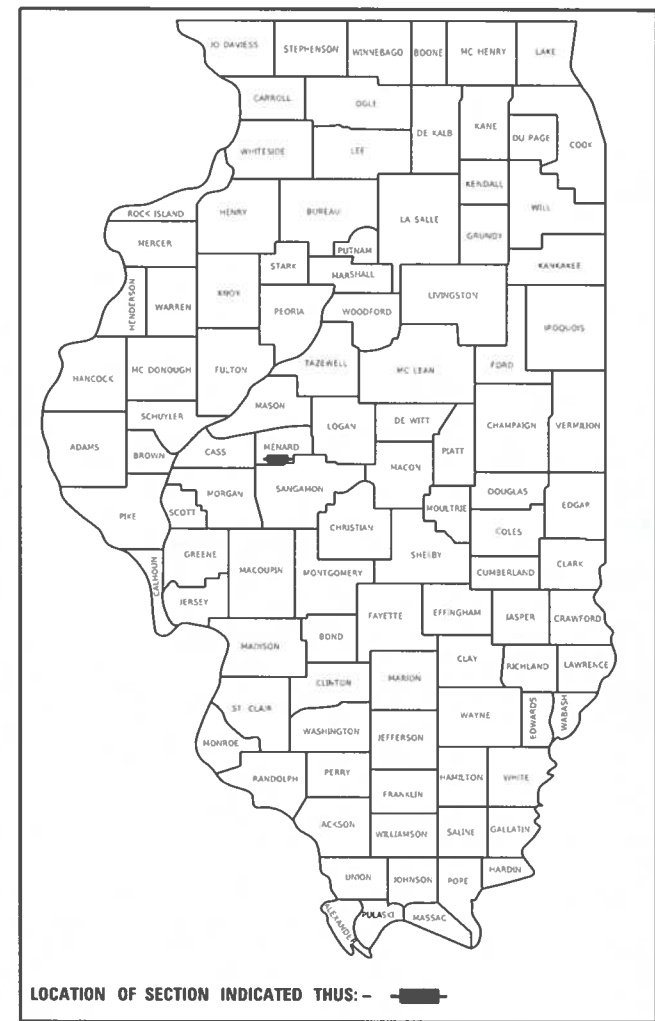
- STANDARD 280001-07
- STANDARD 542301-03
- STANDARD 542401-04
- STANDARD 666001-01
- STANDARD 701311-03
- STANDARD 701901-08
- STANDARD 780001-05
- STANDARD BLR 21-9
- STANDARD BLR 24-2

LAND SECTIONS - 27, 28 & 29
LAND QUARTER SECTION - VARIES
FUNCTIONAL CLASSIFICATION: MAJOR COLLECTOR (NON-URBAN)
A.D.T. - 1800 (2018)
A.D.T. - 2344 (2038)
55 M.P.H. DESIGN SPEED



FULL SIZE PLANS HAVE BEEN PREPARED USING STANDARD ENGINEERING SCALES. REDUCED SIZED PLANS WILL NOT CONFORM TO STANDARD SCALES. IN MAKING MEASUREMENTS ON REDUCED PLANS, THE ABOVE SCALES MAY BE USED.

J.U.L.I.E.
JOINT UTILITY LOCATION INFORMATION FOR EXCAVATION
1-800-892-0123
OR 811



CONSTRUCTION AREA
STA. 131+48.71 AH
= STA. 131+70 BK TO
STA. 221+14.14 BK
= STA. 221+00 AH

LOCATION PLAN
CONSTRUCTION AREA LENGTH OF SECTION - 8930.00 FEET = 1.691 MILES



PROJECT DESCRIPTION: PROJECT CONSISTS OF WIDENING THE EXISTING ROAD AND THE RESURFACING OF THE ENTIRE PROJECT, CULVERT REMOVAL AND REPLACEMENT, PAVEMENT REMOVAL AND REPLACEMENT, AND OTHER ROADWAY ITEMS OF WORK TO BE BUILT UNDER ROAD CLOSURE.

APPROVED July 20, 2023
[Signature]
COUNTY ENGINEER

PASSED August 24, 2023
[Signature]
DISTRICT SIX ENGINEER OF LOCAL ROADS & STREETS

Releasing For Bid Based on Limited Review August 24, 2023
[Signature]
REGION FOUR ENGINEER

STATE OF ILLINOIS
DEPARTMENT OF TRANSPORTATION



Christopher P. Kollins 7/20/23
EXPIRATION: 11/30/2023

PRINTED BY THE AUTHORITY
OF THE STATE OF ILLINOIS

CONTRACT NO. 93775



Veenstra & Kimm, Inc.
Springfield, IL. Phone: (217)544-8033
IL Design Firm No. 184-001939

PROPERTY OWNER ACCESS REQUIREMENT

ACCESS MUST BE MAINTAINED TO ALL EXISTING PROPERTIES DURING CONSTRUCTION PER ARTICLE 107.09 UNLESS ARRANGEMENTS ARE MADE IN WRITING BY THE CONTRACTOR WITH THE PROPERTY OWNERS WITH A COPY TO THE ENGINEER FOR SHORT-TERM CLOSURES.

GENERAL NOTES

- 1.) THE THICKNESS OF HOT-MIX ASPHALT MIXTURES SHOWN ON THE PLANS IS THE NOMINAL THICKNESS. DEVIATIONS FROM THE NOMINAL THICKNESS WILL BE PERMITTED WHEN SUCH DEVIATIONS OCCUR DUE TO IRREGULARITIES IN THE EXISTING SURFACE OR BASE ON WHICH THE BITUMINOUS MIXTURE IS PLACED.
- 2.) EXCEPT AS NOTED IN THE PLANS, PAVEMENT GRADES SHOWN ARE AT THE TOP OF PAVEMENT SURFACES.
- 3.) WHERE SECTION OR SUBSECTION MONUMENTS ARE ENCOUNTERED, THE ENGINEER SHALL BE NOTIFIED BEFORE SUCH MONUMENTS ARE REMOVED. THE CONTRACTOR SHALL PROTECT AND CAREFULLY PRESERVE ALL PROPERTY MARKERS AND MONUMENTS UNTIL THE OWNER OR AN AUTHORIZED SURVEYOR OR AGENT HAS WITNESSED OR OTHERWISE REFERENCED THEIR LOCATION. THE CONTRACTOR WILL BE RESPONSIBLE FOR HAVING AN AUTHORIZED SURVEYOR RE-ESTABLISH ANY SECTION OR SUBSECTION MONUMENTS DESTROYED BY HIS OPERATIONS.
- 4.) SEEDING WILL NOT BE PERMITTED AT ANY TIME WHEN THE GROUND IS FROZEN, WET OR IN AN UNTILLABLE CONDITION. AREAS TO BE SEEDED SHALL BE DETERMINED BY THE ENGINEER AND SEEDED AS SOON AS POSSIBLE.
- 5.) ALL SAW CUTS, NECESSARY TO COMPLETE THE WORK DETAILED IN THESE PLANS, SHALL BE INCLUDED IN THE COST FOR THE VARIOUS PAY ITEMS INVOLVED. THE MINIMUM SAW CUT DEPTH IN THE PAVEMENT SHALL BE 1½" UNLESS UNLESS OTHERWISE SPECIFIED IN A DETAIL SHOWN IN THE PLANS.
- 6.) UNLESS DIRECTED BY THE ENGINEER, PAVEMENT MARKING LINES SHALL NOT BE LAID DIRECTLY OVER A LONGITUDINAL CRACK OR JOINT NOR OVER A TAR OR ASPHALT PAINTED LINE. THE EDGE OF A CENTERLINE OR LANE LINE SHALL BE OFFSET A MINIMUM DISTANCE OF 2" FROM A LONGITUDINAL CRACK OR JOINT. EDGE LINES SHALL BE APPROXIMATELY 2" FROM THE EDGE LINE OF PAVEMENT. SEE SECTION 780 OF THE STANDARD SPECIFICATIONS FOR TRAFFIC CONTROL ITEMS.
- 7.) ABANDONED UNDERGROUND UTILITIES THAT CONFLICT WITH CONSTRUCTION SHALL BE DISPOSED OUTSIDE THE LIMITS OF RIGHT OF WAY ACCORDING TO ARTICLE 202.03 OF THE STANDARD SPECIFICATIONS AND AS DIRECTED BY THE ENGINEER. THIS WORK WILL NOT BE PAID FOR SEPERATELY BUT SHALL BE INCLUDED IN THE COST PER CUBIC YARD FOR EARTH EXCAVATION AND NO ADDITIONAL COMPENSATION WILL BE ALLOWED.
- 8.) ANY REFERENCE TO A STANDARD IN THESE PLANS SHALL BE INTERPRETED TO MEAN THE EDITION AS INDICATED BY THE SUBNUMBER LISTED IN THE INDEX OF SHEETS OR THE COPY OF THE STANDARD INCLUDED IN THESE PLANS.
- 9.) IN ADDITION TO THE FIELD SURVEYS, PLAN DIMENSIONS AND DETAILS RELATIVE TO THE EXISTING FACILITIES HAVE BEEN TAKEN FROM EXISTING PLANS AND ARE SUBJECT TO CONSTRUCTION VARIATIONS. IT SHALL BE THE CONTRACTOR'S RESPONSIBILITY TO VERIFY SUCH DIMENSIONS AND DETAILS IN THE FIELD. SUCH VARIATIONS SHALL NOT BE A CAUSE FOR ADDITIONAL COMPENSATION DUE TO CHANGE IN THE SCOPE OF WORK. HOWEVER, THE CONTRACTOR WILL BE PAID FOR THE QUANTITY ACTUALLY FURNISHED AT THE UNIT PRICE BID FOR THE WORK.
- 10.) THE EXISTING ROAD SIGNS THAT INTERFERE WITH CONSTRUCTION WILL BE REMOVED OR RELOCATED AS DIRECTED BY THE ENGINEER. AFTER THE CONSTRUCTION IS COMPLETED, THE CONTRACTOR WILL REPLACE THE SIGNS AS DIRECTED BY THE ENGINEER. THIS WORK WILL NOT BE PAID FOR SEPERATELY BUT SHALL BE CONSIDERED INCLUDED IN THE CONTRACT, AND NO COMPENSATION WILL BE ALLOWED.
- 11.) THE LOCATION OF ALL UTILITIES ARE BASED ON INFORMATION PROVIDED BY OTHERS AND IS INTENDED TO BE APPROXIMATE. IT SHALL BE THE CONTRACTOR'S RESPONSIBILITY TO COORDINATE HIS CONSTRUCTION ACTIVITIES WITH THE VARIOUS UTILITY OWNERS. ALL POTENTIAL CONFLICTS SHALL BE INVESTIGATED AND REMEDIAL ACTION TAKEN PRIOR TO INTERRUPTION OF THE CONTRACTOR'S PROGRESS.
- 12.) THE CONTRACTOR SHALL BE RESPONSIBLE FOR PROTECTING UTILITY PROPERTY FROM CONSTRUCTION OPERATIONS AS OUTLINED IN ARTICLE 107.39 OF THE STANDARD SPECIFICATIONS. THE J.U.L.I.E. NUMBER IS 800-892-0123. A MINIMUM OF FORTY-EIGHT HOURS ADVANCE NOTICE IS REQUIRED.
- 13.) ALL ELEVATIONS SHOWN ON THE PLANS ARE BASED ON U.S.G.S. MEAN SEA LEVEL DATUM. ALL STATION AND OFFSET REFERENCES ARE TO THE ROADWAY CENTERLINE UNLESS OTHERWISE NOTED. THE STATE PLANE COORDINATE SYSTEM HAS BEEN USED FOR THE HORIZONTAL CONTROL.
- 14.) THE MENARD COUNTY ENGINEER SHALL BE NOTIFIED AT LEAST 21 DAYS PRIOR TO CLOSING THE ROAD TO TRAFFIC (PH: 217-632-2722).
- 15.) PRIOR TO THE USE OF ANY BORROW AREAS, USE AREAS, (TEMPORARY ACCESS ROADS, DETOURS, RUNAROUNDS, ETC.) AND OR WASTE AREAS, THE CONTRACTOR SHALL FILE THE REQUIRED ENVIRONMENTAL RESOURCE REQUEST SURVEYS ACCORDING TO SECTION 107.22 OF THE STANDARD SPECIFICATIONS. THESE SURVEYS ARE REQUIRED IN ORDER FOR THE DEPARTMENT TO CONDUCT CULTURAL AND BIOLOGICAL RESOURCE SURVEYS FOR THE PROPOSED SITE.
- 16.) TREES THREE (3) INCHES OR GREATER IN DIAMETER AT BREST HEIGHT WILL NOT BE CLEARED FROM APRIL 1 THROUGH SEPTEMBER 30.

UTILITIES

MENARD RURAL WATER COOPERATIVE
 MS. KATHY RUPPEL MANAGER
 P.O. BOX 86
 PETERSBURG, ILLINOIS 62675
 217-632-7751

MENARD ELECTRIC COOPERATIVE
 MR. BRADY SMITH
 P.O. BOX 200
 PETERSBURG, ILLINOIS 62675
 217-632-7746

CASS CABLE TV, INC.
 MR. LANCE ALLEN
 100 REDBUD ROAD
 P.O. BOX 200
 VIRGINIA, ILLINOIS 62691
 217-452-7800

AMEREN ILLINOIS
 MR. DOUGLAS PALMER
 1900 W LAFAYETTE
 JACKSONVILLE, ILLINOIS 62650
 217-479-5203 (O)
 217-714-7258 (C)
 DPALMER@AMEREN.COM

AT&T
 MS. BRENDA BENDER
 529 SOUTH 7TH STREET
 FLOOR 3B
 SPRINGFIELD, ILLINOIS 62721
 217-341-0952

PRAIRIE POWER INC.
 MR. JEREMY JOHNSON
 3130 PLEASANT RUN
 SPRINGFIELD, ILLINOIS 62711
 217-331-5631

MIXTURE REQUIREMENTS

MIXTURE USE(S)	HOT MIX ASPHALT SURFACE COURSE, IL-9.5FG, MIX "C", N50	HOT MIX ASPHALT BINDER COURSE	HOT MIX ASPHALT BASE COURSE WIDENING
AC/PG	PG 64-22	PG 64-22	PG 64-22
DESIGN AIR VOIDS	4.0% @ N DESIGN = 50	4.0% @ N DESIGN = 50	4.0% @ N DESIGN = 50
MIXTURE COMPOSITION	IL 9.5	IL 19.0	IL 19.0
FRICTION AGGREGATE	MIX C	N/A	N/A

THE FOLLOWING RATES OF APPLICATION HAVE BEEN USED TO CALCULATE THE PLAN QUANTITIES:

BITUMINOUS MATERIALS (TACK COAT)	0.05 LBS/SQ. FT. (ON PAVEMENT)
BITUMINOUS MATERIALS (PRIME COAT)	0.25 LBS/SQ.FT. (ON AGG)
HOT MIX ASPHALT SURFACE / BINDER	0.056 TON/SQ. YD. PER 1"
AGGREGATE MATERIAL	1.8 TON/CU. YD.
RIPRAP	1.5 TON/CU. YD.
NITROGEN FERTILIZER NUTRIENT	90 LBS./ACRE
PHOSPHOROUS FERTILIZER NUTRIENT	90 LBS./ACRE
POTASSIUM FERTILIZER NUTRIENT	90 LBS./ACRE
AGRICULTURAL GROUND LIMESTONE	2.0 TON/ACRE

FILE NAME =	USER NAME = \$USER*	DESIGNED -	REVISED -		Veenstra & Kimm, Inc. Springfield, IL. Phone: (217)544-8033 IL. Design Firm No. 184-001939	GENERAL NOTES			F.A.S. RTE.	SECTION	COUNTY	TOTAL SHEETS	SHEET NO.
*FILEL\$		DRAWN -	REVISED -			574	20-00056-08-PV	MENARD	98	2			
PLOT SCALE = \$SCALE*		CHECKED -	REVISED -			CONTRACT NO. 93775							
PLOT DATE = \$DATE*		DATE -	REVISED -			SCALE: NONE	SHEET NO. 1 OF 1 SHEETS	STA.	TO STA.	FED. ROAD DIST. NO.	ILLINOIS	FED. AID PROJECT	

CODE NO.	ITEM	UNIT	TOTAL QUANTITY	CONSTR. CODE
				ROADWAY 0004 NONE
# 20100110	TREE REMOVAL (6 TO 15 UNITS DIAMETER)	UNIT	334	334
# 20100210	TREE REMOVAL (OVER 15 UNITS DIAMETER)	UNIT	18	18
# 20100500	TREE REMOVAL, ACRES	ACRE	2.1	2.1
20200100	EARTH EXCAVATION	CU YD	23743	23743
20400800	FURNISHED EXCAVATION	CU YD	8768	8768
28000250	TEMPORARY EROSION CONTROL SEEDING	POUND	1330	1330
28000305	TEMPORARY DITCH CHECKS	FOOT	447	447
28000400	PERIMETER EROSION BARRIER	FOOT	6603	6603
28000500	INLET AND PIPE PROTECTION	EACH	28	28
28100207	STONE RIPRAP, CLASS A4	TON	2843	2843
35100100	AGGREGATE BASE COURSE, TYPE A	TON	587	587
35600700	HOT-MIX ASPHALT BASE COURSE WIDENING, 6"	SQ YD	4866	4866
40600275	BITUMINOUS MATERIALS (PRIME COAT)	POUND	2190	2190
40600290	BITUMINOUS MATERIALS (TACK COAT)	POUND	16775	16775

#SPECIALTY ITEMS

FILE NAME = #FILEL#	USER NAME = #USER#	DESIGNED -	REVISED -	 Veenstra & Kimm, Inc. Springfield, IL. Phone: (217)544-8033 IL. Design Firm No. 184-001939	SUMMARY OF QUANTITIES			F.A.S. RTE.	SECTION	COUNTY	TOTAL SHEETS	SHEET NO.
	PLOT SCALE = #SCALE#	DRAWN -	REVISED -					574	20-00056-08-PV	MENARD	98	3
	PLOT DATE = #DATE#	CHECKED -	REVISED -		SCALE: NONE	SHEET NO. 1 OF 4 SHEETS	STA. _____ TO STA. _____	CONTRACT NO. 93775				
		DATE -	REVISED -		FED. ROAD DIST. NO. ILLINOIS FED. AID PROJECT							

CODE NO.	ITEM	UNIT	TOTAL QUANTITY	CONSTR. CODE
				ROADWAY 0004 NONE
40600982	HOT-MIX ASPHALT SURFACE REMOVAL - BUTT JOINT	SQ YD	1129	1129
40603080	HOT-MIX ASPHALT BINDER COURSE, IL-19.0, N50	TON	3147	3147
40604000	HOT-MIX ASPHALT SURFACE COURSE, IL-9.5FG, MIX "C", N50	TON	3304	3304
44000100	PAVEMENT REMOVAL	SQ YD	829	829
48100100	AGGREGATE SHOULDERS, TYPE A	TON	5553	5553
50100300	REMOVAL OF EXISTING STRUCTURES NO. 1	EACH	1	1
50105220	PIPE CULVERT REMOVAL	FOOT	930	930
50800105	REINFORCEMENT BARS	POUND	320	320
54003000	CONCRETE BOX CULVERTS	CU YD	3.0	3.0
542A0229	PIPE CULVERTS, CLASS A, TYPE 1 24"	FOOT	36	36
542A1069	PIPE CULVERTS, CLASS A, TYPE 2 24"	FOOT	252	252
542A1075	PIPE CULVERTS, CLASS A, TYPE 2 30"	FOOT	66	66
542A1939	PIPE CULVERTS, CLASS A, TYPE 3 54"	FOOT	282	282
542A2773	PIPE CULVERTS, CLASS A, TYPE 4 48"	FOOT	174	174

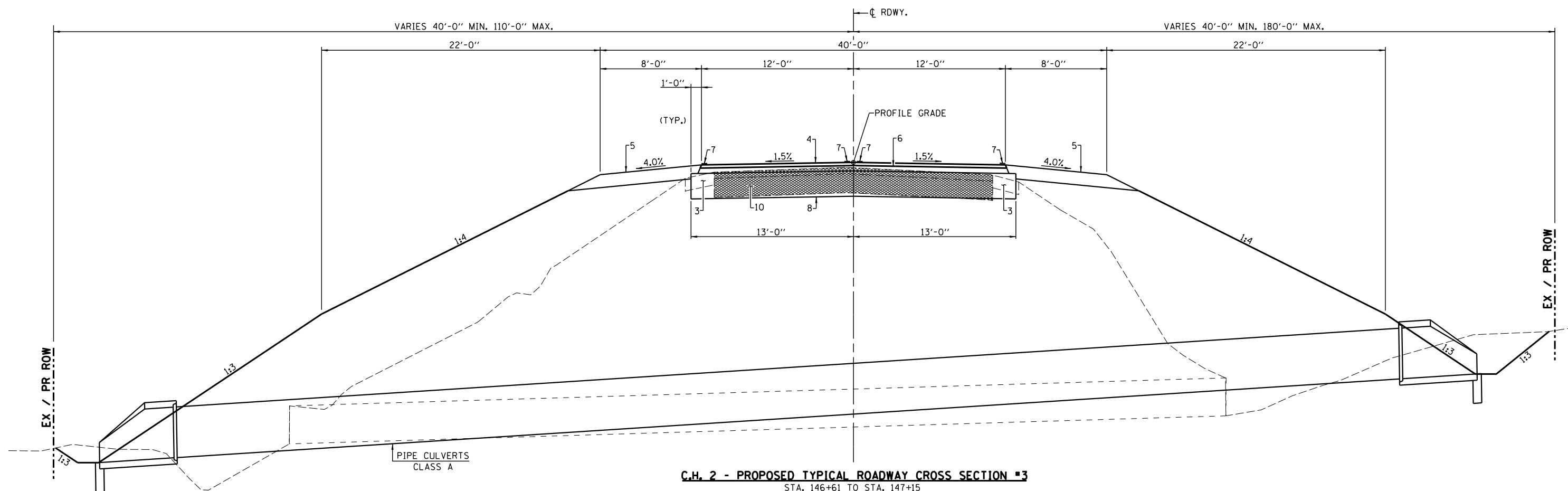
#SPECIALTY ITEMS

CODE NO.	ITEM	UNIT	TOTAL QUANTITY	CONSTR. CODE
				ROADWAY 0004 NONE
542A2779	PIPE CULVERTS, CLASS A, TYPE 4 54"	FOOT	174	174
542D0220	PIPE CULVERTS, CLASS D, TYPE 1 15"	FOOT	860	860
54213669	PRECAST REINFORCED CONCRETE FLARED END SECTIONS 24"	EACH	8	8
54213675	PRECAST REINFORCED CONCRETE FLARED END SECTIONS 30"	EACH	2	2
54213693	PRECAST REINFORCED CONCRETE FLARED END SECTIONS 48"	EACH	2	2
54213699	PRECAST REINFORCED CONCRETE FLARED END SECTIONS 54"	EACH	6	6
54262715	METAL FLARED END SECTIONS 15"	EACH	38	38
59300100	CONTROLLED LOW-STRENGTH MATERIAL	CU YD	970	970
66600105	FURNISHING AND ERECTING RIGHT OF WAY MARKERS	EACH	79	79
67100100	MOBILIZATION	L SUM	1	1
70107025	CHANGEABLE MESSAGE SIGN	CAL DA	840	840
# 78001110	PAINT PAVEMENT MARKING - LINE 4"	FOOT	29515	29515
X0327301	RELOCATE EXISTING MAILBOX	EACH	20	20
# X2501000	SEEDING, CLASS 2 (SPECIAL)	ACRE	13.3	13.3

#SPECIALTY ITEMS

CODE NO.	ITEM	UNIT	TOTAL QUANTITY	CONSTR. CODE
				ROADWAY
				NONE
X7010216	TRAFFIC CONTROL AND PROTECTION, (SPECIAL)	L SUM	1	1
Z0013798	CONSTRUCTION LAYOUT	L SUM	1	1
Z0022800	FENCE REMOVAL	FOOT	4130	4130
* Z0076600	TRAINEES	HOURL	1500	
Z0023602	GRANULAR CULVERT BACKFILL	CU YD	3307	3307
* Z0076604	TRAINEES TRAINING PROGRAM GRADUATE	HOURL	1500	
Z0041500	PLUG EXISTING CULVERTS	EACH	15	15

#SPECIALTY ITEMS
*0042



C.H. 2 - PROPOSED TYPICAL ROADWAY CROSS SECTION #3

- STA. 146+61 TO STA. 147+15
- STA. 159+25 TO STA. 159+85
- STA. 169+82 TO STA. 170+02
- STA. 186+55 TO STA. 187+25
- STA. 190+87 TO STA. 191+33
- STA. 205+81 TO STA. 206+01
- STA. 211+19 TO STA. 211+39
- STA. 216+47 TO STA. 216+87

PAVEMENT LEGEND

1. EX AGGREGATE BASE COURSE (VARIABLE DEPTH)
2. EX BITUMINOUS OVERLAYS
3. EX AGGREGATE SHOULDERS
4. PR HOT-MIX ASPHALT SURFACE COURSE, IL-9.5FG, MIX. C N50 (1 1/2" MIN.)
5. PR AGGREGATE SHOULDERS TYPE A (6")
6. PR HOT MIX ASPHALT BINDER COURSE, IL-19.0, N50 (2 1/4" MIN.)
7. PR PAINT PAVEMENT MARKING LINE 4"
8. PR AGGREGATE BASE COURSE, TYPE A (12")
9. PR HOT-MIX ASPHALT BASE COURSE WIDENING, 6"
10. PR PAVEMENT REMOVAL

- INDICATES HMA SURF. REMOVAL
- INDICATES HMA PAVEMENT REMOVAL

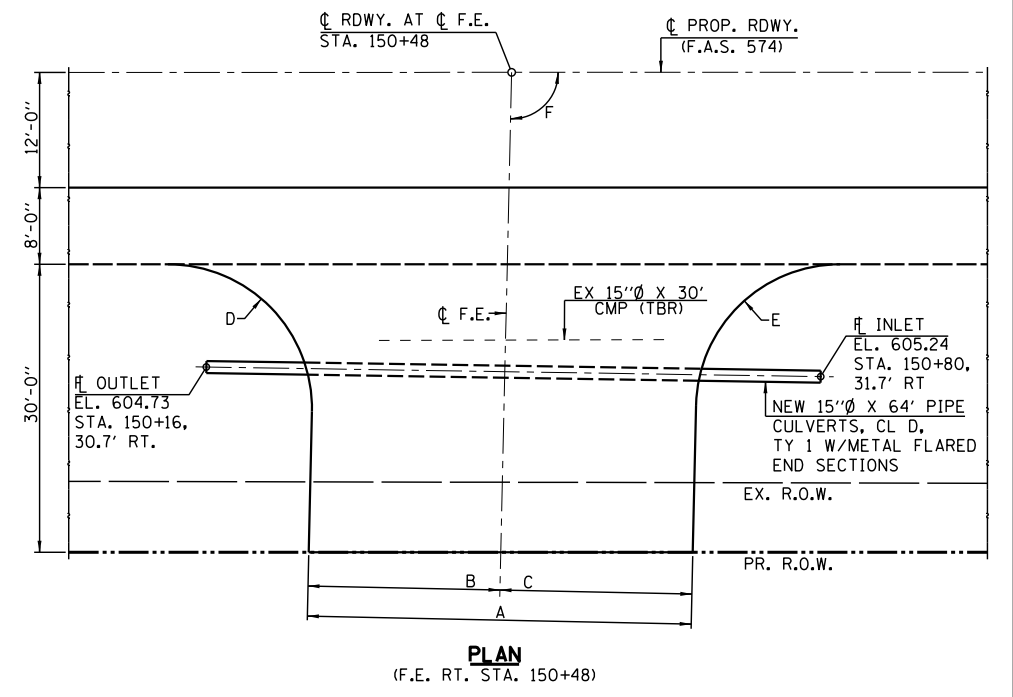
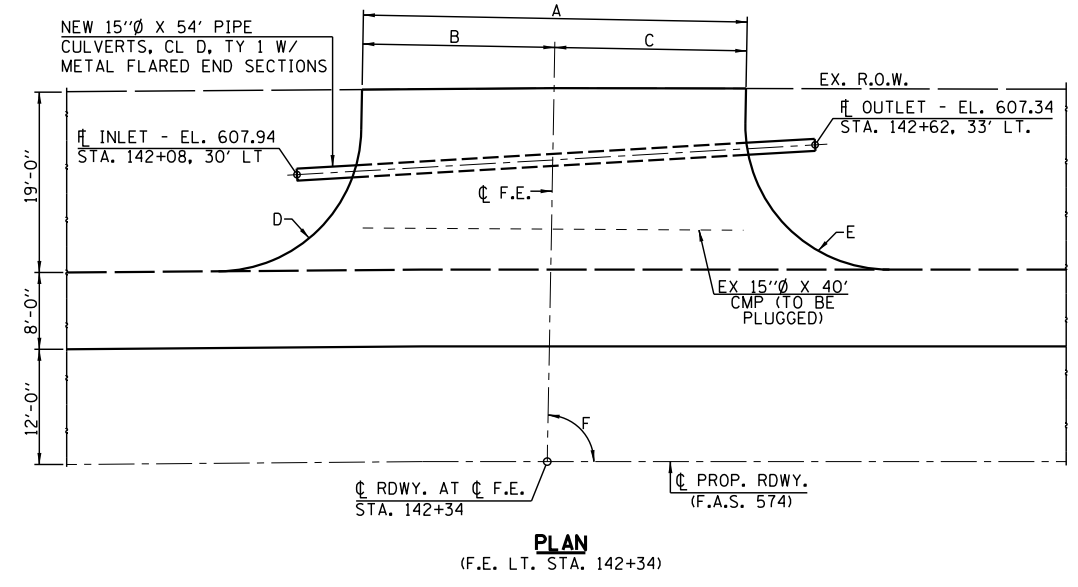
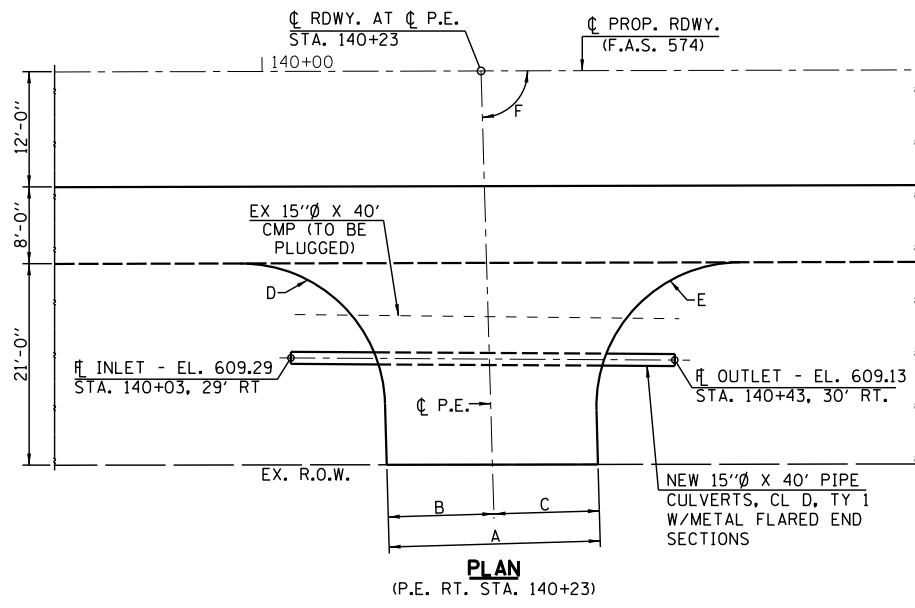
FILE NAME = *FILEL*	USER NAME = *USER*	DESIGNED -	REVISED -
		DRAWN -	REVISED -
		CHECKED -	REVISED -
		DATE -	REVISED -



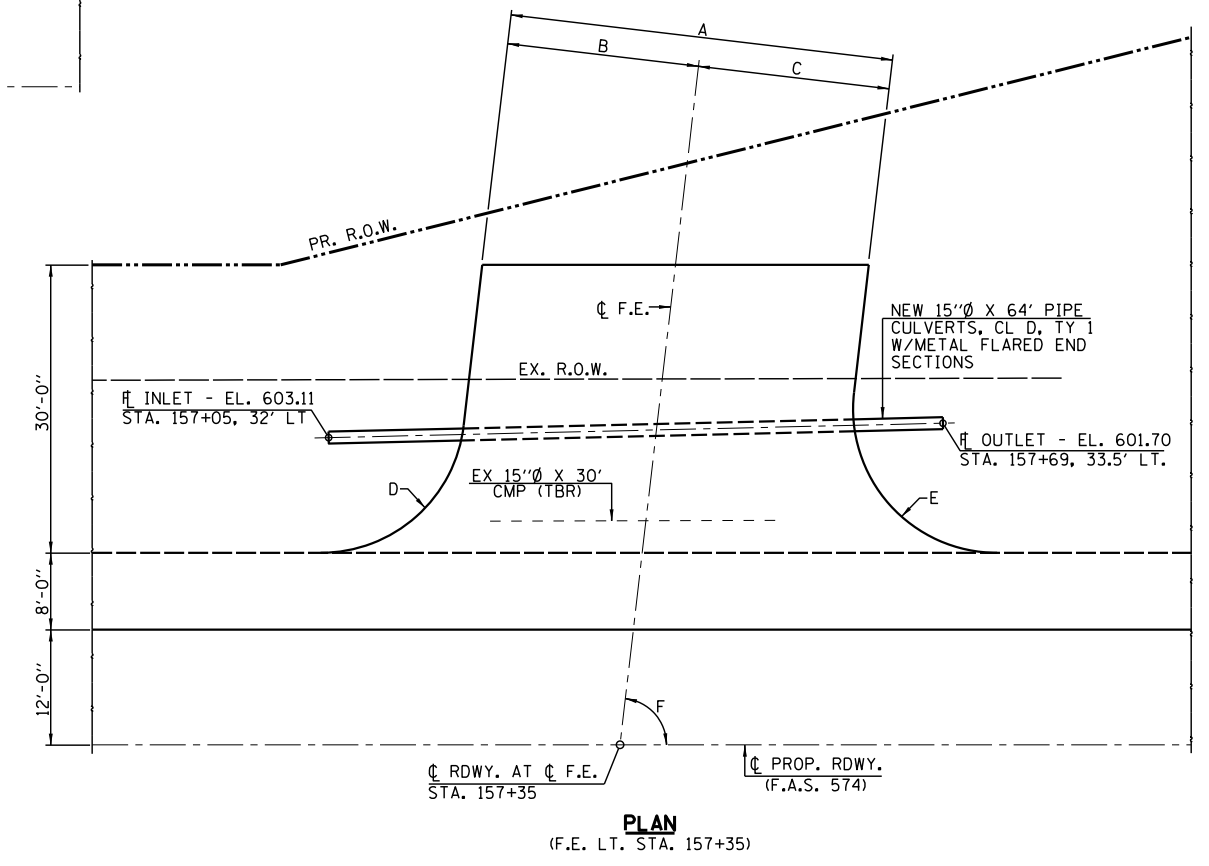
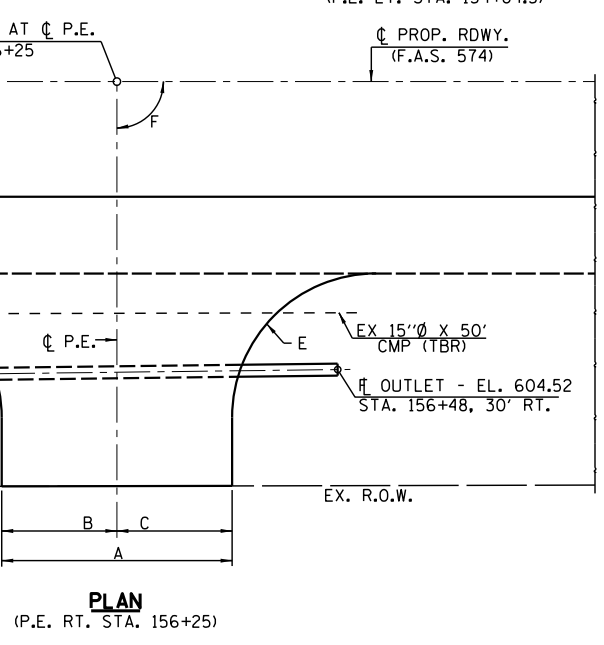
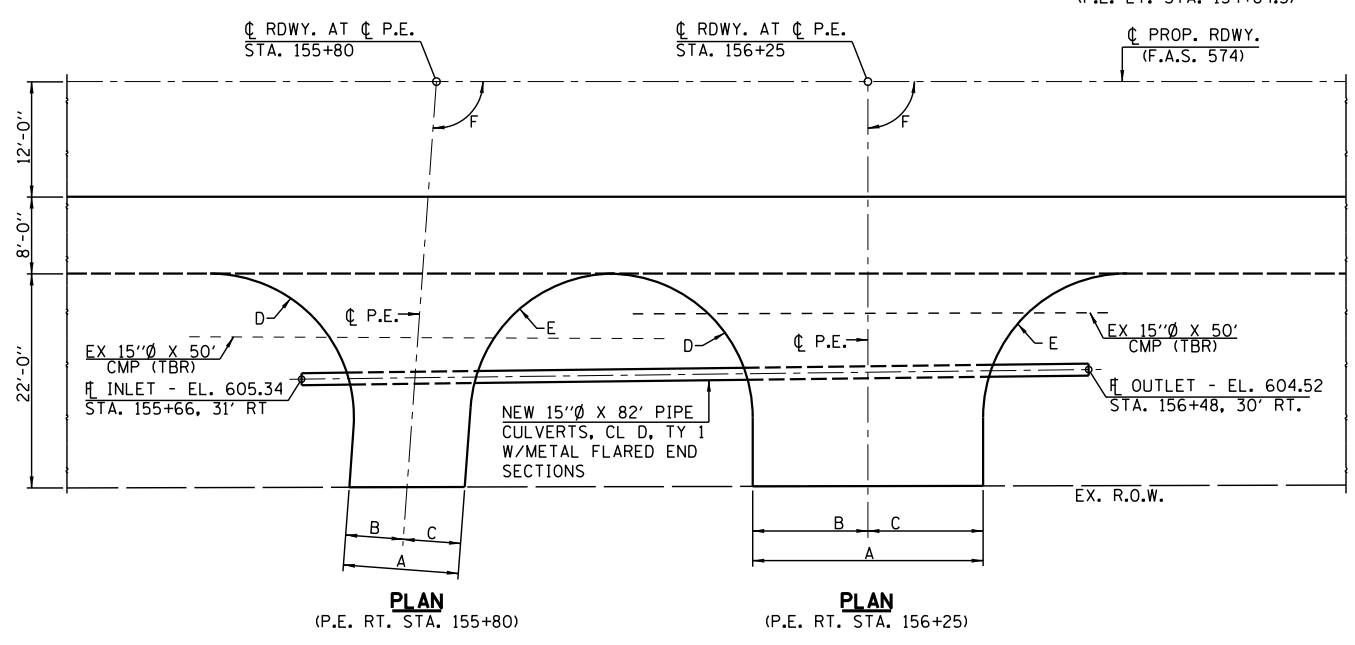
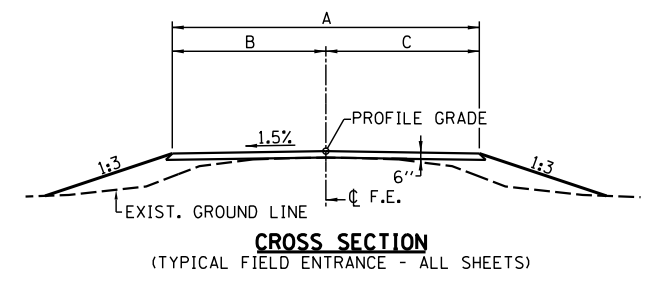
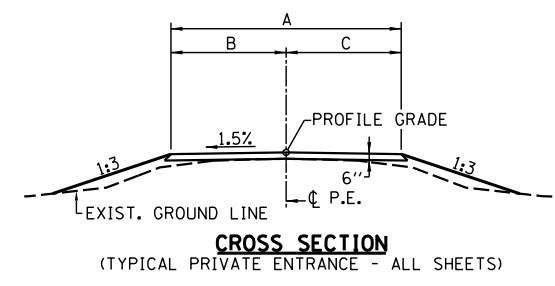
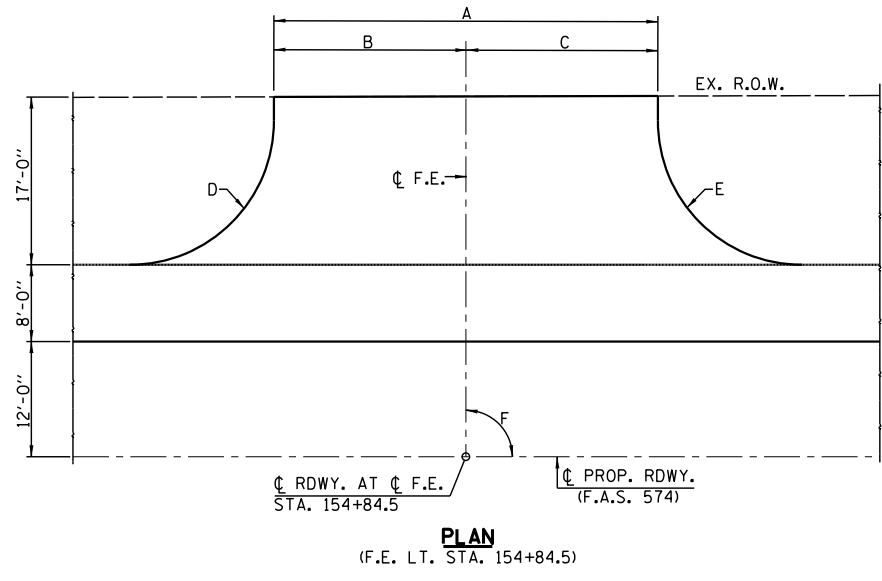
Veenstra & Kimm, Inc.
Springfield, IL. Phone: (217)544-8033
IL. Design Firm No. 184-001939

SUMMARY OF QUANTITIES			
SCALE: NONE	SHEET NO. 2 OF 2 SHEETS	STA.	TO STA.

F.A.S. RTE.	SECTION	COUNTY	TOTAL SHEETS	SHEET NO.
574	20-00056-08-PV	MENARD	98	8
CONTRACT NO. 93775				
FED. ROAD DIST. NO. ILLINOIS FED. AID PROJECT				



LOCATION	"A"	"B"	"C"	"D"	"E"	"F"
P.E. STA. 140+23 RT.	22'	11'	11'	15'R.	15'R.	88°30'
F.E. STA. 142+34 LT.	40'	20'	20'	15'R.	15'R.	89°
F.E. STA. 150+48 RT.	40'	20'	20'	15'R.	15'R.	91°
F.E. STA. 154+84.5 LT.	40'	20'	20'	15'R.	15'R.	90°
P.E. STA. 155+80 RT.	12'	6'	6'	15'R.	15'R.	94°
P.E. STA. 156+25 RT.	24'	12'	12'	15'R.	15'R.	90°
F.E. STA. 157+35 LT.	40'	20'	20'	15'R.	15'R.	83°30'



USER NAME =	DESIGNED -	REVISED -
CHECKED -	CHECKED -	REVISED -
PLOT SCALE =	DRAWN -	REVISED -
PLOT DATE =	CHECKED -	REVISED -

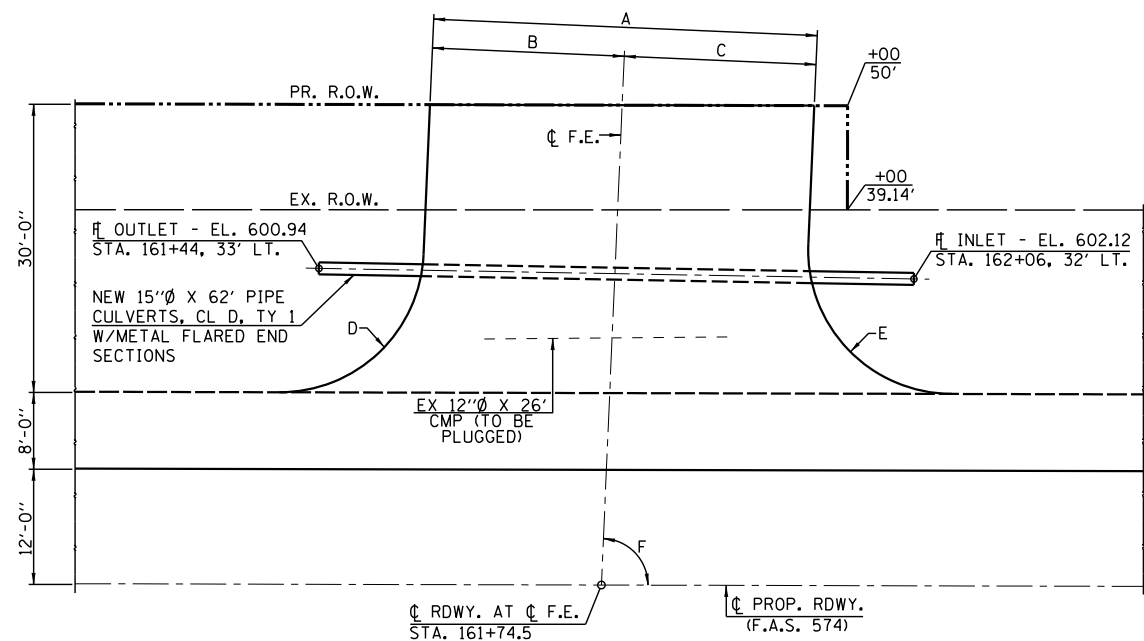


VEENSTRA & KIMM INC.
Springfield, IL. Phone: (217)544-8033
IL. Design Firm No. 184-001939

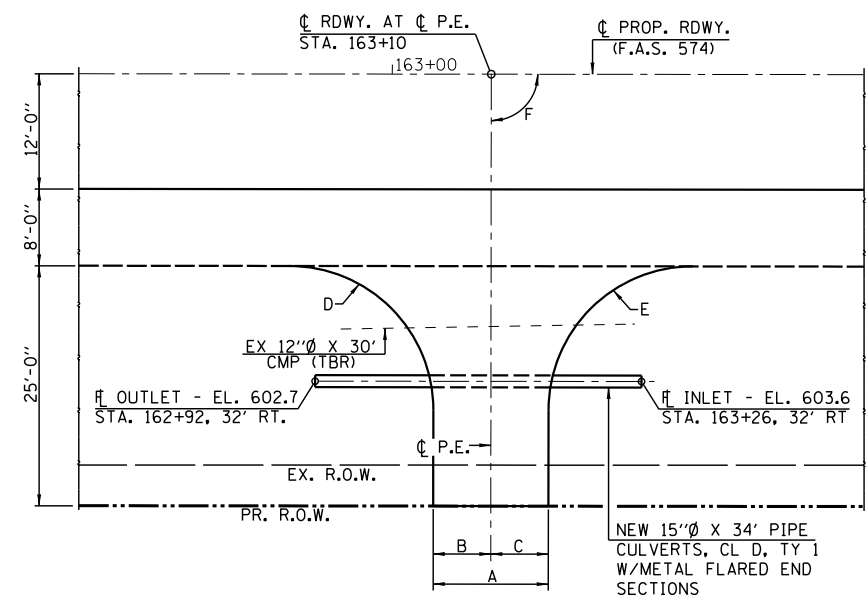
ENTRANCE AND INTERSECTION
SCALE: VARIES SHEET NO. 1 OF 5 SHEETS STA. _____ TO STA. _____

F.A.S. RTE.	SECTION	COUNTY	TOTAL SHEETS	SHEET NO.
574	20-00056-08-PV	MENARD	98	9
CONTRACT NO. 93775				

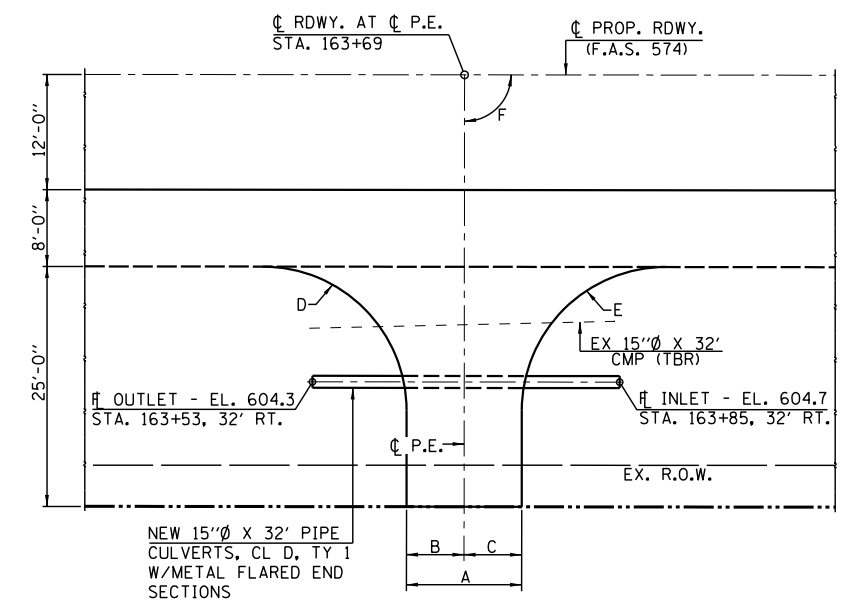
ILLINOIS FED. AID PROJECT



PLAN
(F.E. LT. STA. 161+74.5)

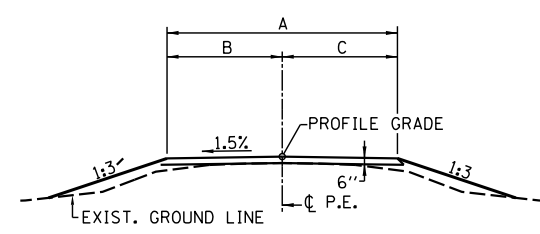


PLAN
(P.E. RT. STA. 163+10)

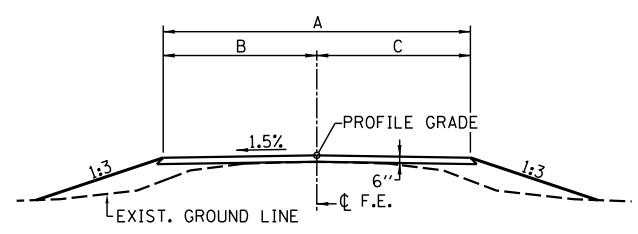


PLAN
(P.E. RT. STA. 163+69)

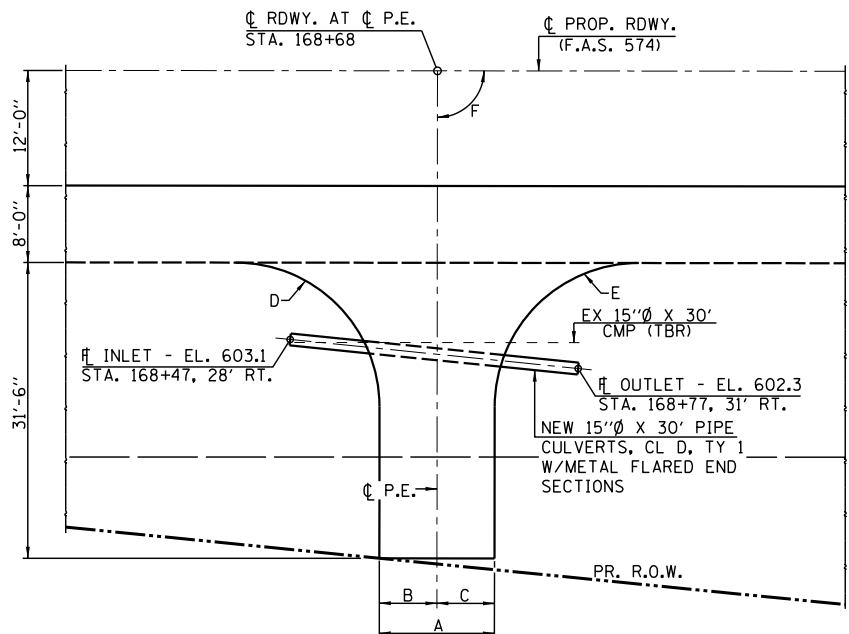
LOCATION	"A"	"B"	"C"	"D"	"E"	"F"
F.E. STA. 161+74.5 LT.	40'	20'	20'	15'R.	15'R.	88°
P.E. STA. 163+10 RT.	12'	6'	6'	15'R.	15'R.	90°
P.E. STA. 163+69 RT.	12'	6'	6'	15'R.	15'R.	90°
P.E. STA. 168+62 RT.	12'	6'	6'	15'R.	15'R.	90°
P.E. STA. 172+44 RT.	12'	6'	6'	15'R.	15'R.	90°
P.E. STA. 173+98 RT.	12'	6'	6'	15'R.	15'R.	85°



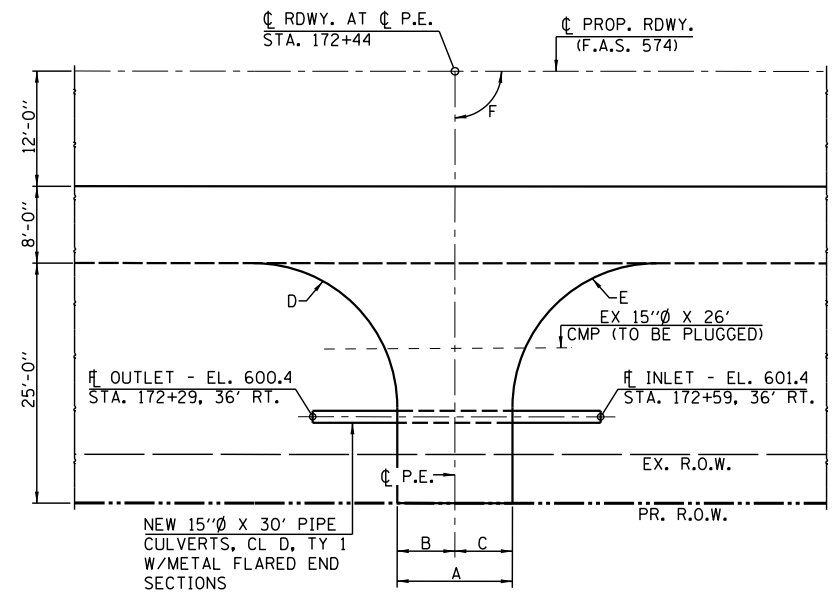
CROSS SECTION
(TYPICAL PRIVATE ENTRANCE - ALL SHEETS)



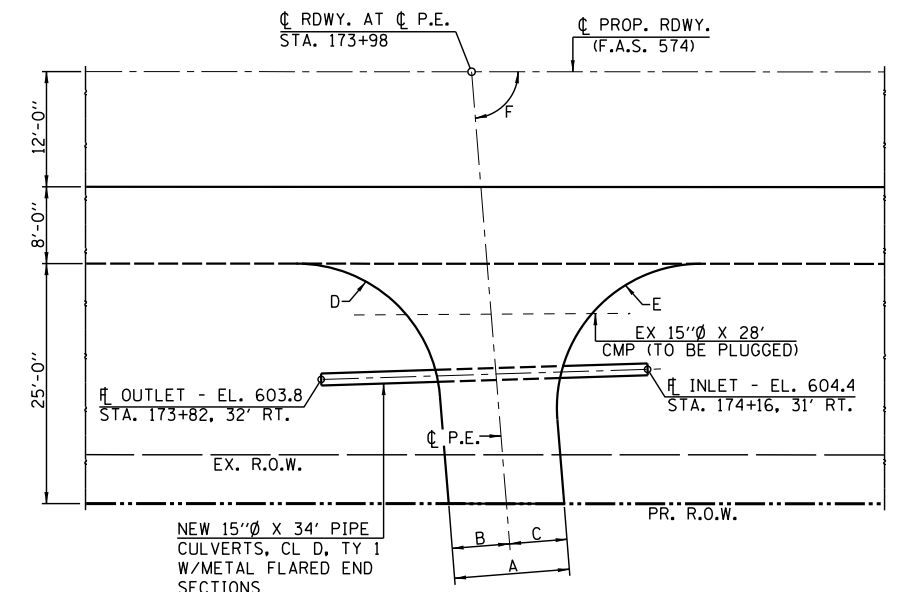
CROSS SECTION
(TYPICAL FIELD ENTRANCE - ALL SHEETS)



PLAN
(P.E. RT. STA. 168+62)



PLAN
(P.E. RT. STA. 172+44)



PLAN
(P.E. RT. STA. 173+98)

USER NAME =	DESIGNED -	REVISED -
PLOT SCALE =	CHECKED -	REVISED -
PLOT DATE =	DRAWN -	REVISED -
	CHECKED -	REVISED -

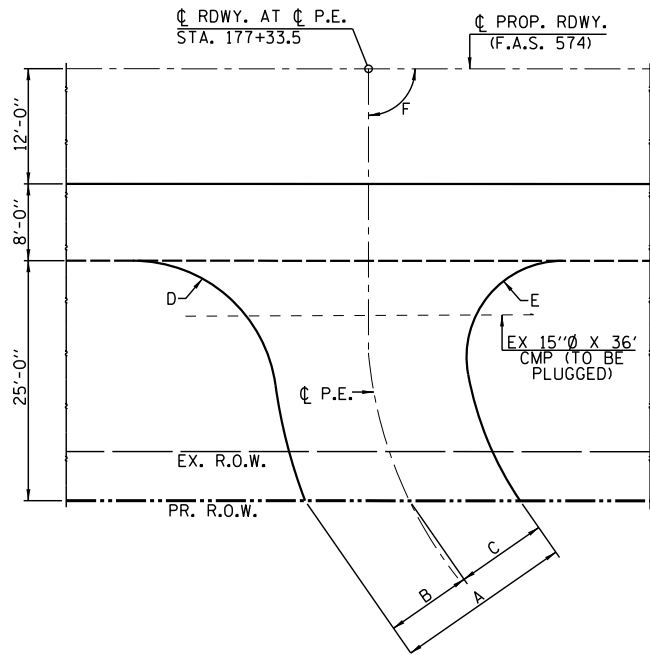


VEENSTRA & KIMM INC.
Springfield, IL. Phone: (217)544-8033
IL. Design Firm No. 184-001939

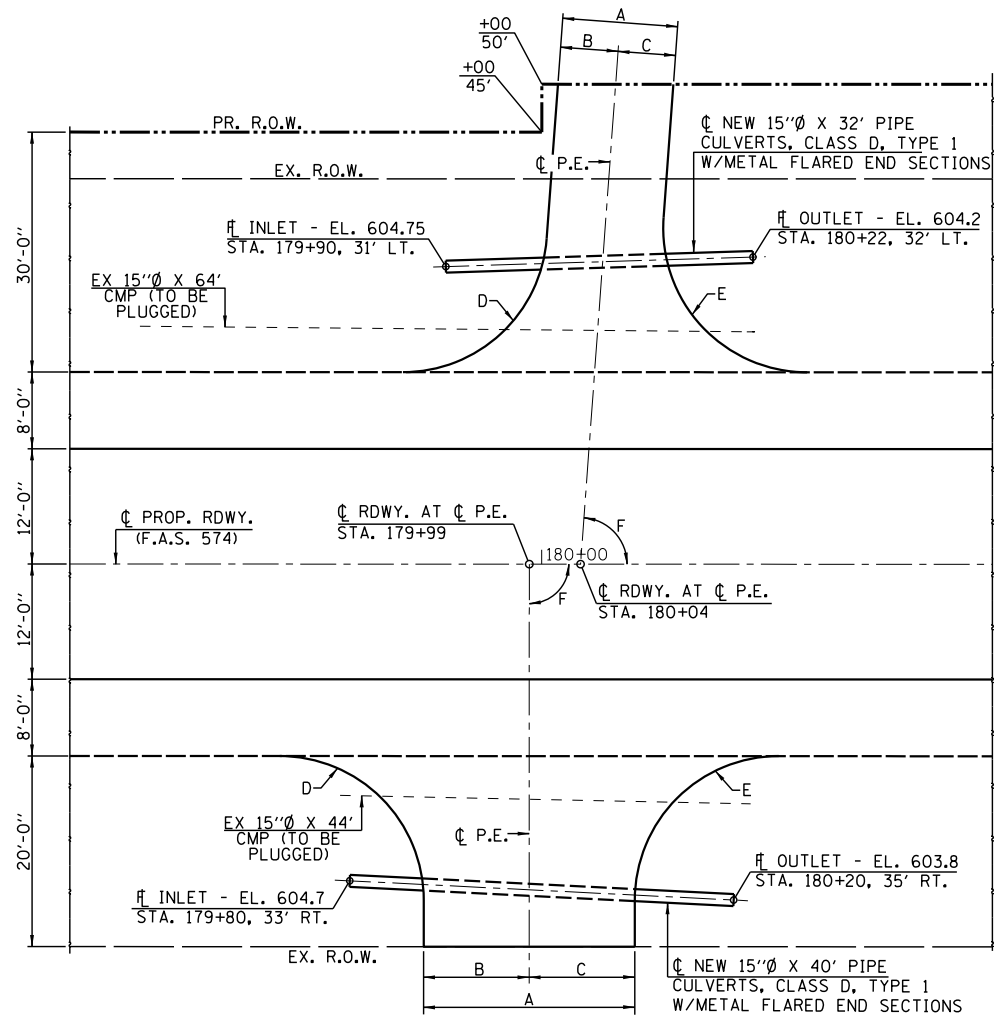
ENTRANCE AND INTERSECTION

SCALE: VARIES SHEET NO. 2 OF 5 SHEETS STA. _____ TO STA. _____

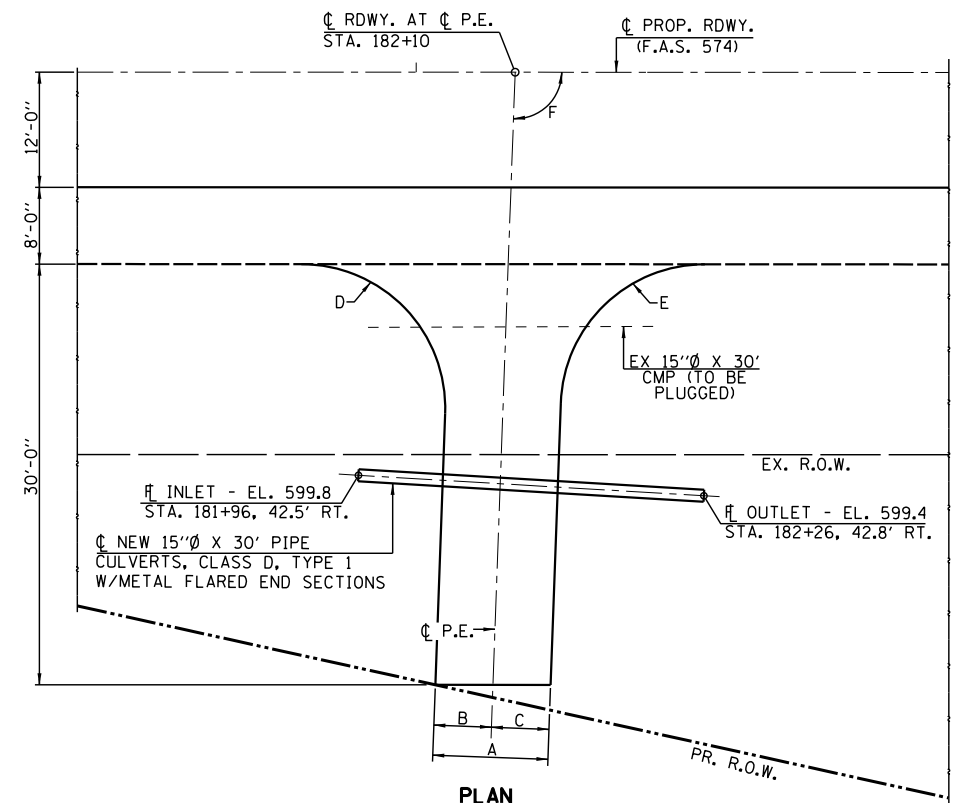
F.A.S. RTE.	SECTION	COUNTY	TOTAL SHEETS	SHEET NO.
574	20-00056-08-PV	MENARD	98	10
CONTRACT NO. 93775				
ILLINOIS FED. AID PROJECT				



PLAN
(P.E. RT. STA. 177+33.5)



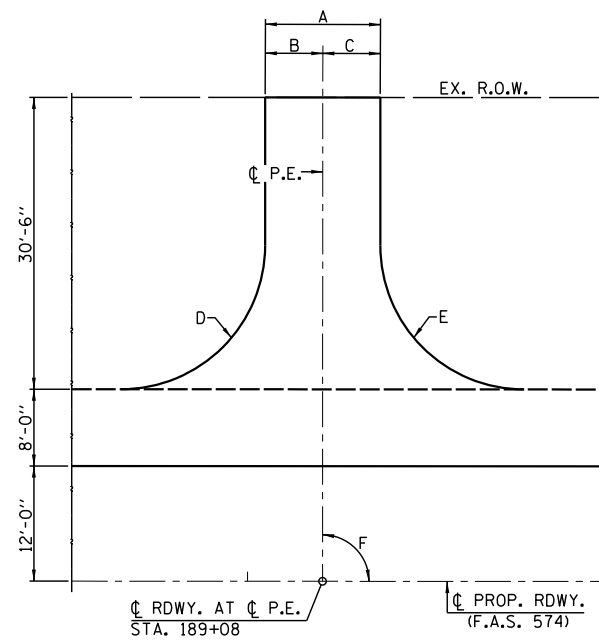
PLAN
(P.E. RT. STA. 179+99)
(P.E. LT. STA. 180+04)



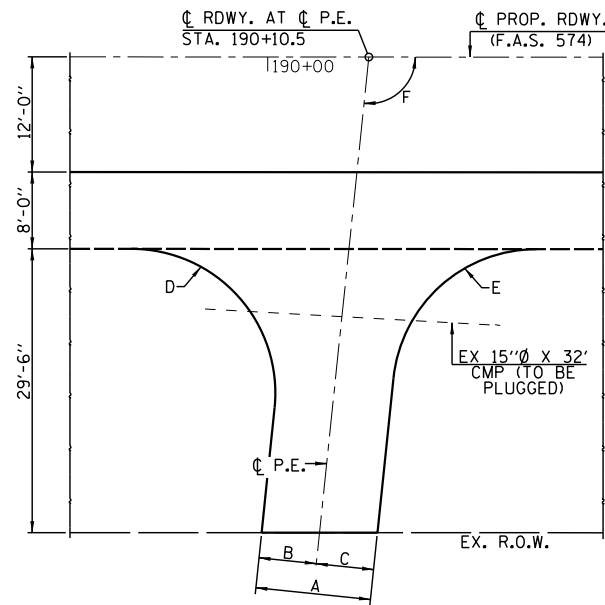
PLAN
(P.E. RT. STA. 182+10)

LOCATION	"A"	"B"	"C"	"D"	"E"	"F"
P.E. STA. 177+33.5 RT. *	18'	9'	9'	15'R.	15'R.	90°
P.E. STA. 179+99 RT. *	22'	11'	11'	15'R.	15'R.	90°
P.E. STA. 180+04 LT. *	12'	6'	6'	15'R.	15'R.	86°
P.E. STA. 182+10 RT. *	12'	6'	6'	15'R.	15'R.	92°
P.E. STA. 189+08 LT. *	12'	6'	6'	15'R.	15'R.	90°
P.E. STA. 190+10.5 RT. *	12'	6'	6'	15'R.	15'R.	96°
P.E. STA. 194+57 RT. *	12'	6'	6'	15'R.	15'R.	90°

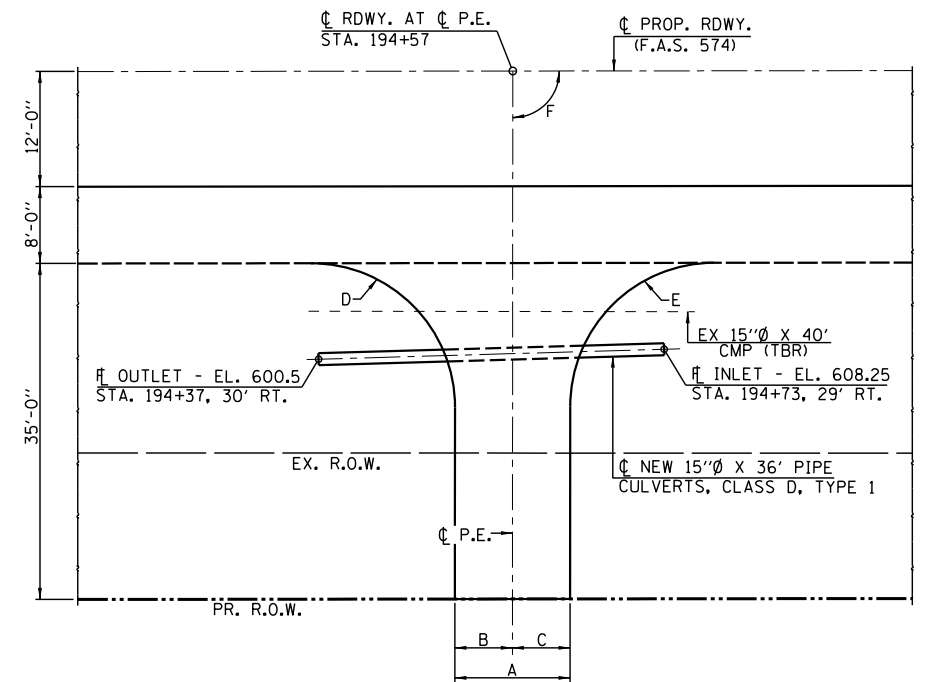
* SEE DETAILS ON SHEET 10



PLAN
(P.E. LT. STA. 189+08)



PLAN
(P.E. RT. STA. 190+10.5)



PLAN
(P.E. RT. STA. 194+57)

USER NAME =	DESIGNED -	REVISED -
PLOT SCALE =	CHECKED -	REVISED -
PLOT DATE =	DRAWN -	REVISED -
	CHECKED -	REVISED -

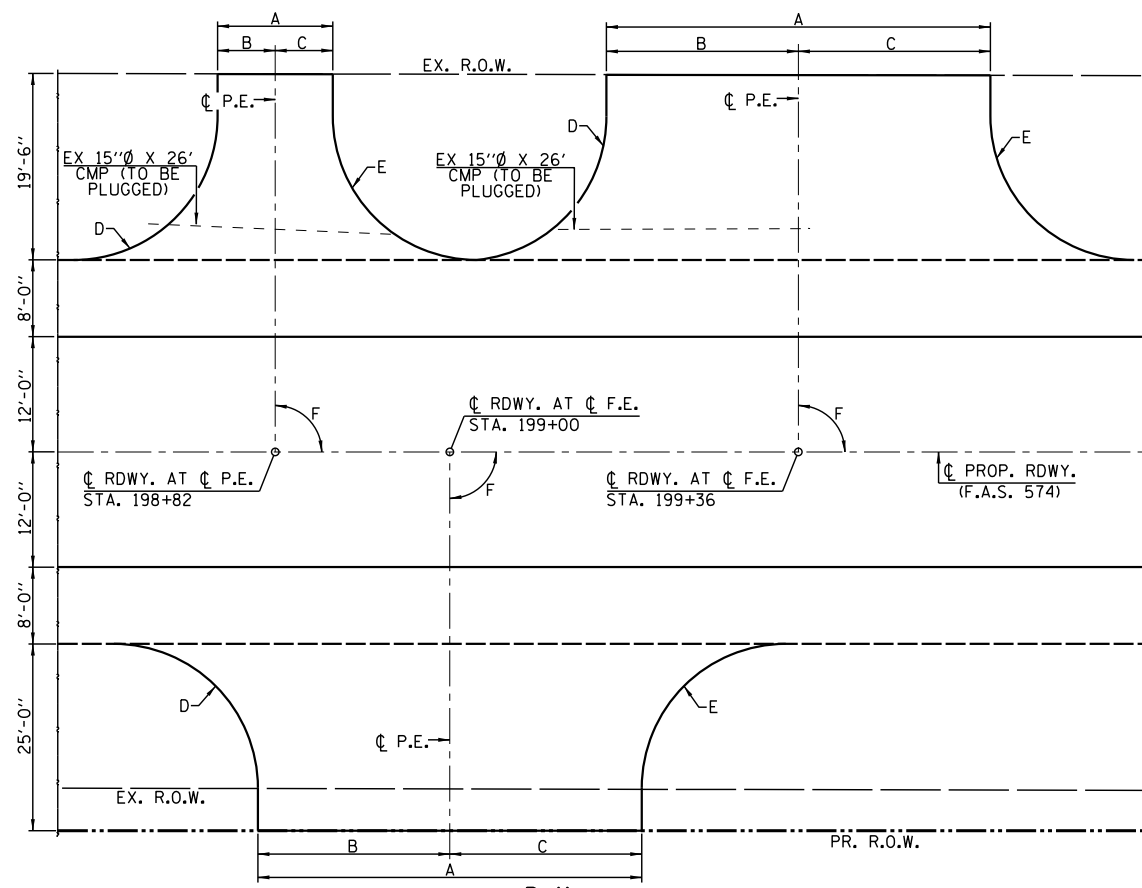


VEENSTRA & KIMM INC.
Springfield, IL. Phone: (217)544-8033
IL. Design Firm No. 184-001939

ENTRANCE AND INTERSECTION

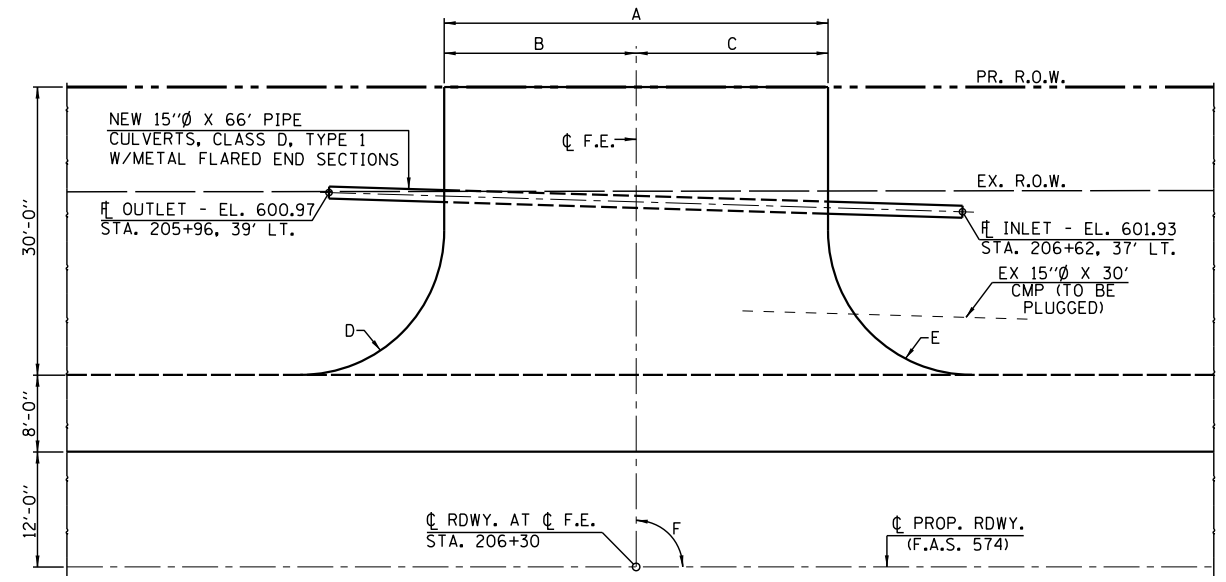
SCALE: VARIES SHEET NO. 3 OF 5 SHEETS STA. _____ TO STA. _____

F.A.S. RTE.	SECTION	COUNTY	TOTAL SHEETS	SHEET NO.
574	20-00056-08-PV	MENARD	98	11
CONTRACT NO. 93775				
<small>ILLINOIS FED. AID PROJECT</small>				

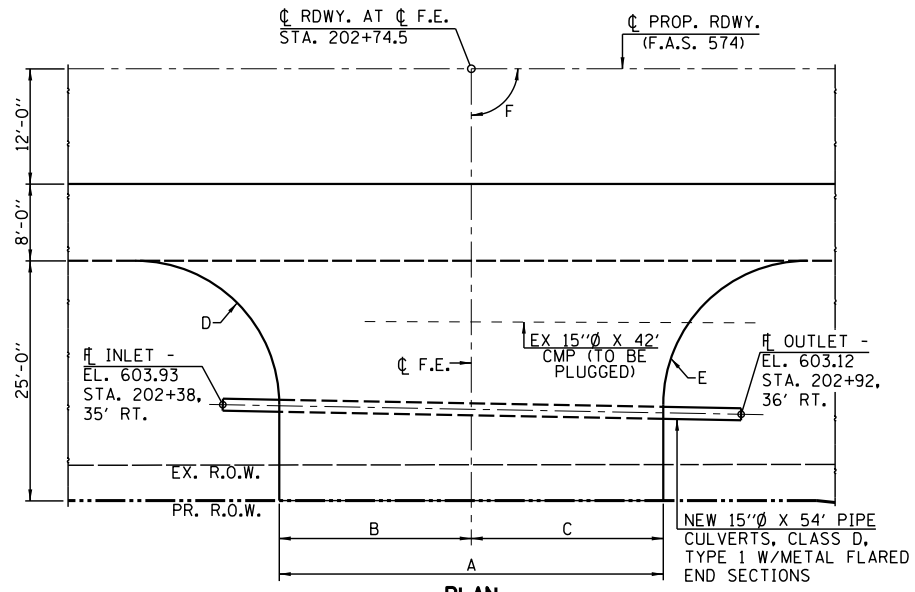


PLAN
(P.E. LT. STA. 198+82)
(F.E. LT. STA. 199+36)
(F.E. RT. STA. 199+00)

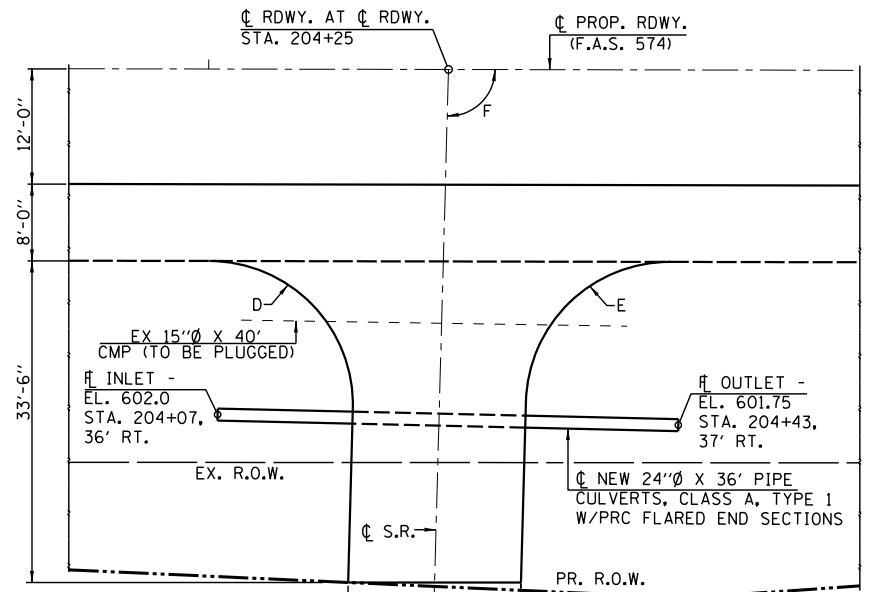
LOCATION	"A"	"B"	"C"	"D"	"E"	"F"
P.E. STA. 198+82 LT.	12'	6'	6'	15'R.	15'R.	90°
F.E. STA. 199+00 RT.	40'	20'	20'	15'R.	15'R.	90°
F.E. STA. 199+36 LT.	40'	20'	20'	15'R.	15'R.	90°
F.E. STA. 202+64 RT.	40'	20'	20'	15'R.	15'R.	101°
HUMMINGBIRD ST. STA. 204+25 RT.	18'	9'	9'	15'R.	15'R.	90°
F.E. STA. 206+30 LT.	40'	20'	20'	15'R.	15'R.	88°30'
P.E. STA. 208+27 RT.	12'	6'	6'	15'R.	15'R.	98°
SNYDER ST. STA. 208+42 LT.	24'	10'	10'	15'R.	15'R.	90°



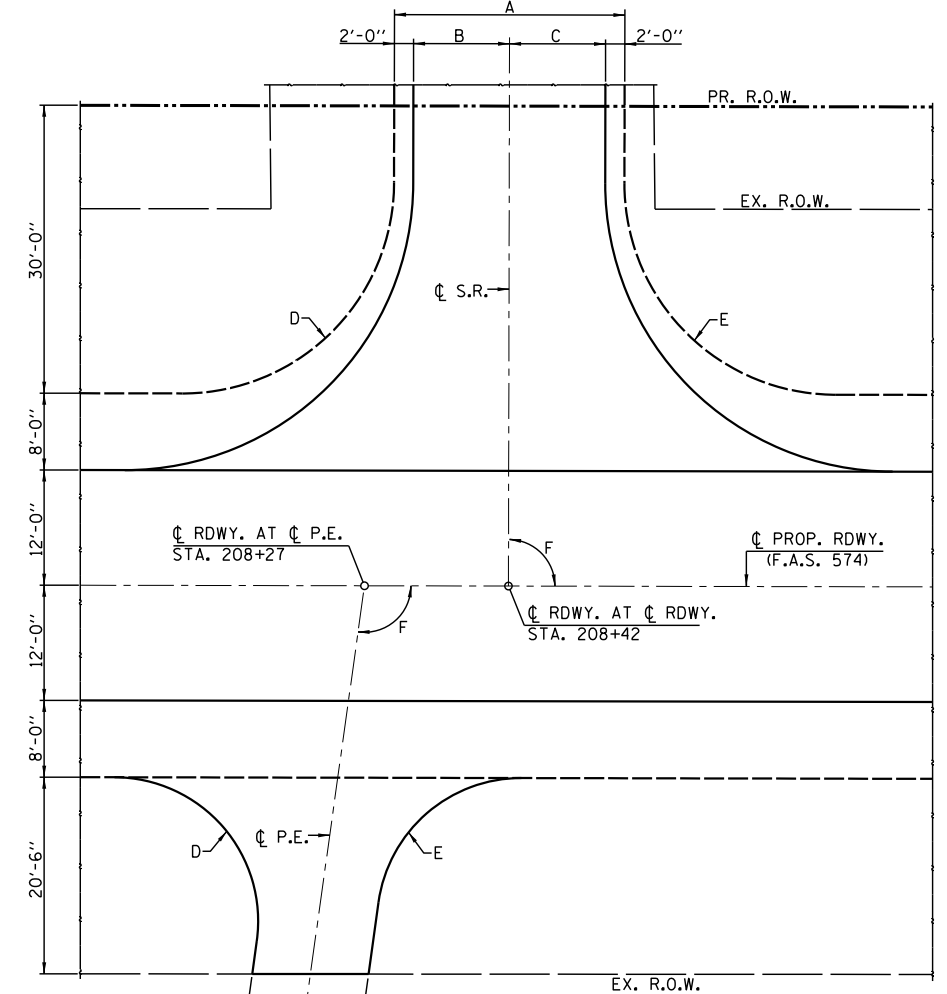
PLAN
(F.E. LT. STA. 206+30)



PLAN
(F.E. RT. STA. 202+64)



PLAN
(HUMMINGBIRD ST. RT. STA. 204+25)



PLAN
(P.E. RT. STA. 208+27)
(SNYDER RD. LT. STA. 208+42)

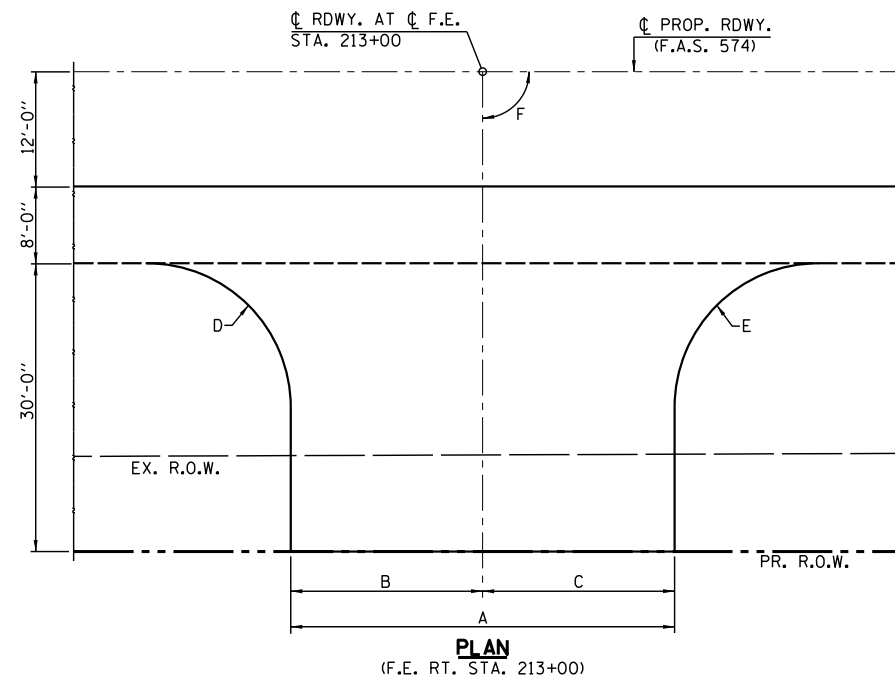
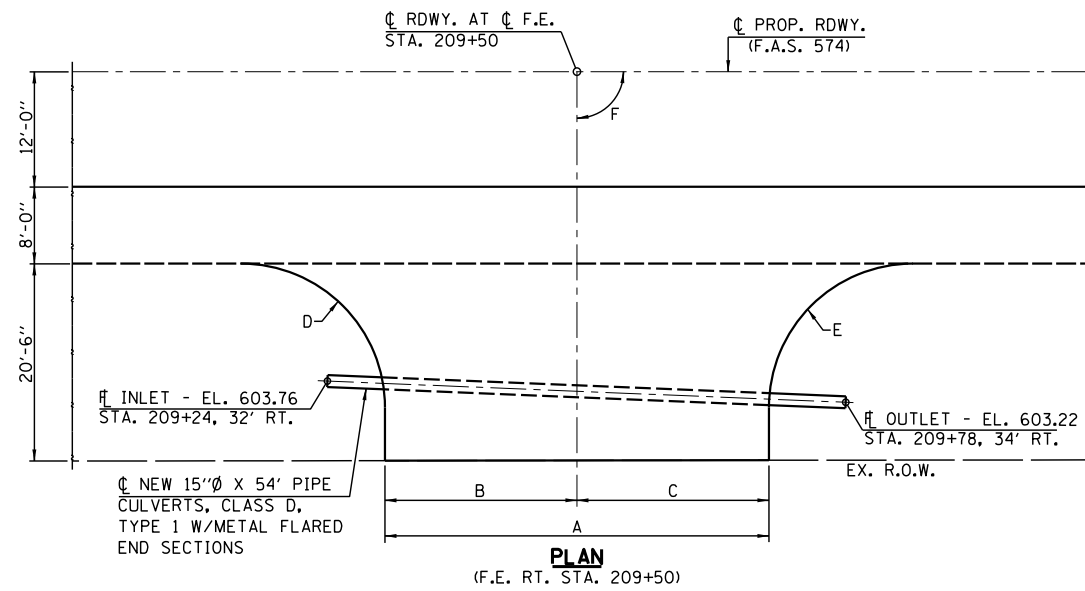
USER NAME =	DESIGNED -	REVISED -
CHECKED -	CHECKED -	REVISED -
PLOT SCALE =	DRAWN -	REVISED -
PLOT DATE =	CHECKED -	REVISED -



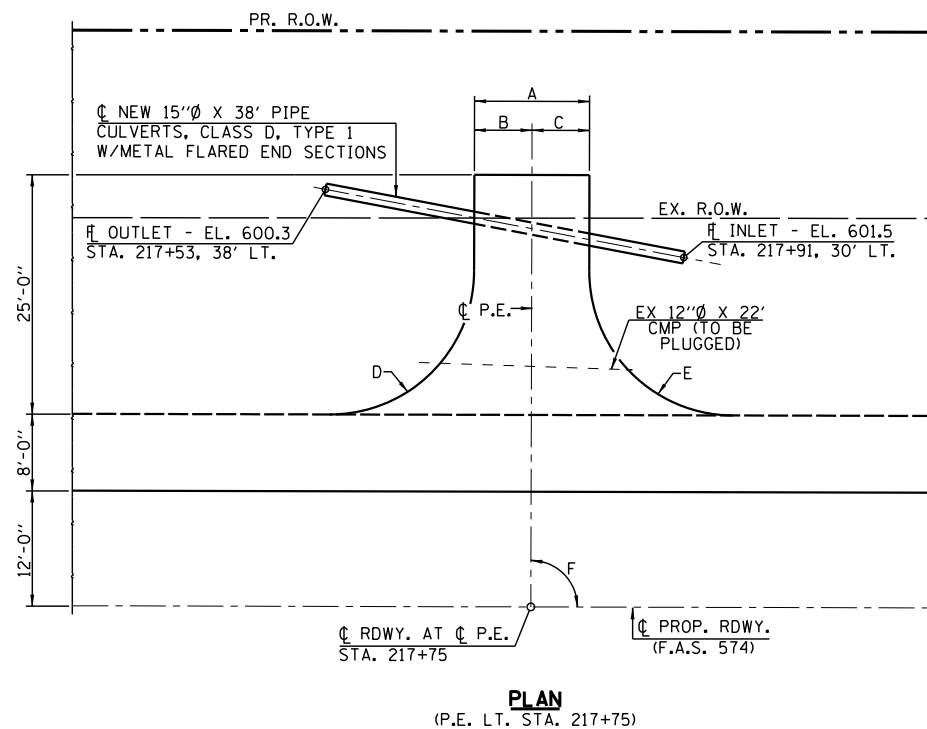
VEENSTRA & KIMM INC.
Springfield, IL. Phone: (217)544-8033
IL. Design Firm No. 184-001939

ENTRANCE AND INTERSECTION
SCALE: VARIES SHEET NO. 4 OF 5 SHEETS STA. _____ TO STA. _____

F.A.S. RTE.	SECTION	COUNTY	TOTAL SHEETS	SHEET NO.
574	20-00056-08-PV	MENARD	98	12
CONTRACT NO. 93775				
ILLINOIS FED. AID PROJECT				



LOCATION	"A"	"B"	"C"	"D"	"E"	"F"
F.E. STA. 209+50 RT.	40'	20'	20'	15'R.	15'R.	90°
F.E. STA. 213+00 RT.	40'	20'	20'	15'R.	15'R.	90°
P.E. STA. 217+75 LT.	12'	6'	6'	15'R.	15'R.	90°



USER NAME =	DESIGNED -	REVISED -
PLOT SCALE =	CHECKED -	REVISED -
PLOT DATE =	DRAWN -	REVISED -
	CHECKED -	REVISED -

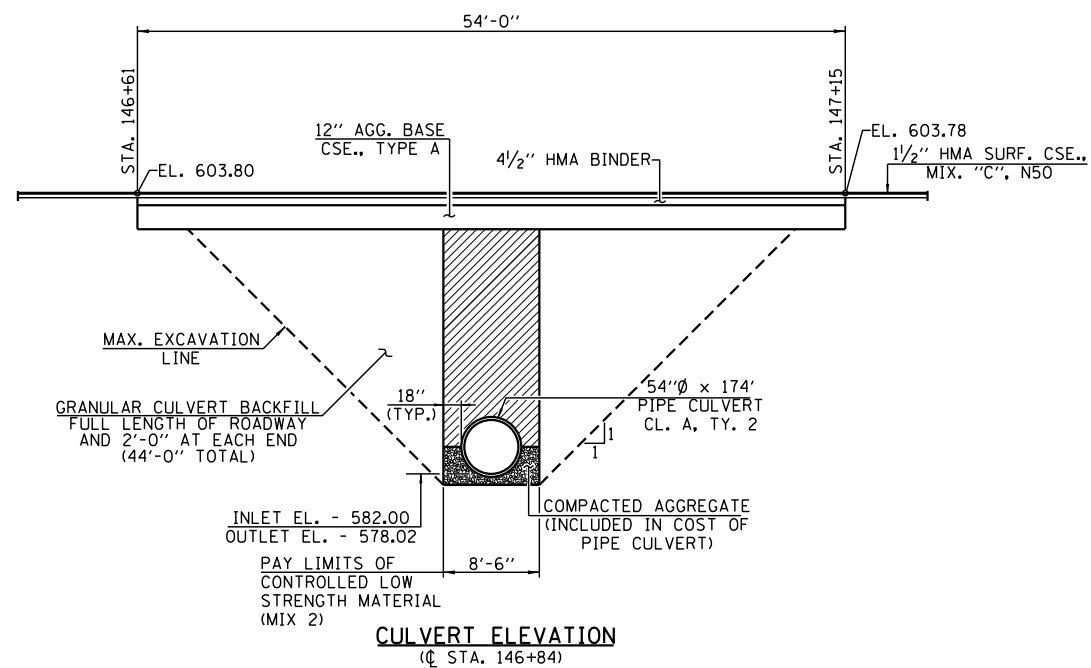
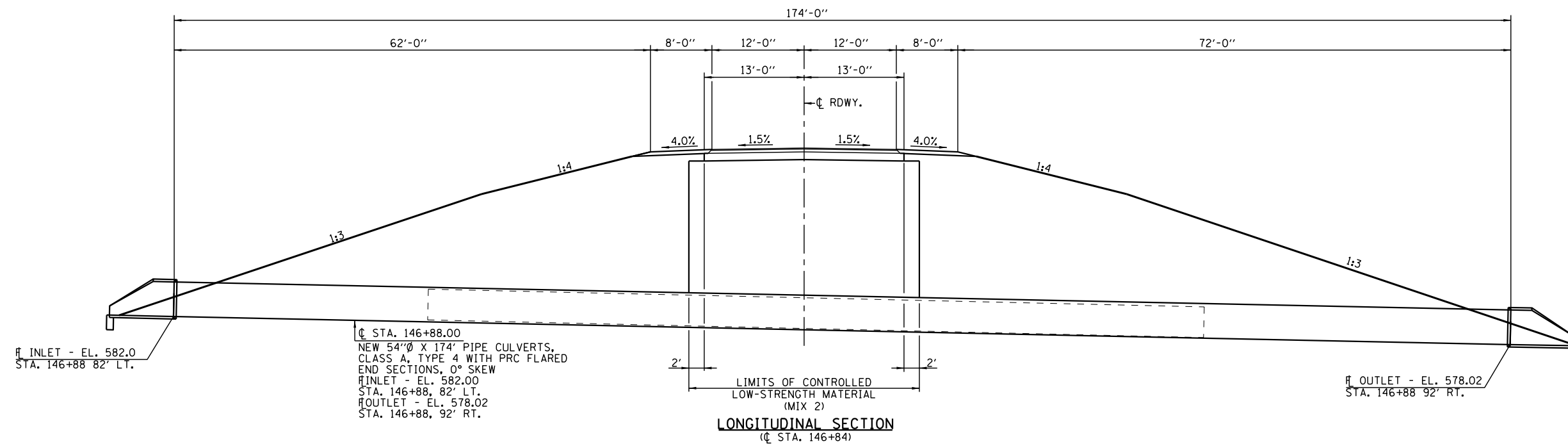


VEENSTRA & KIMM INC.
 Springfield, IL. Phone: (217)544-8033
 IL. Design Firm No. 184-001939

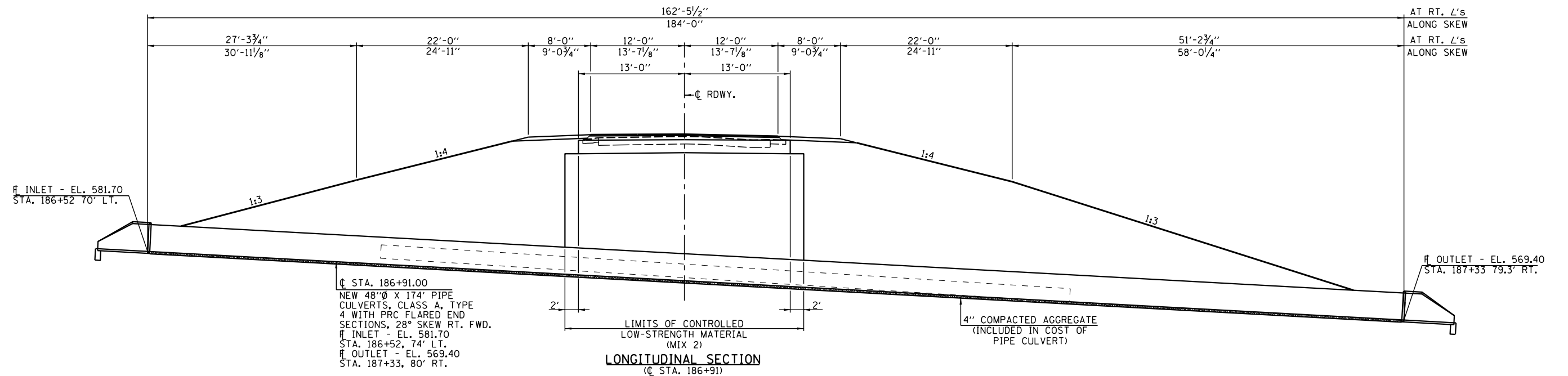
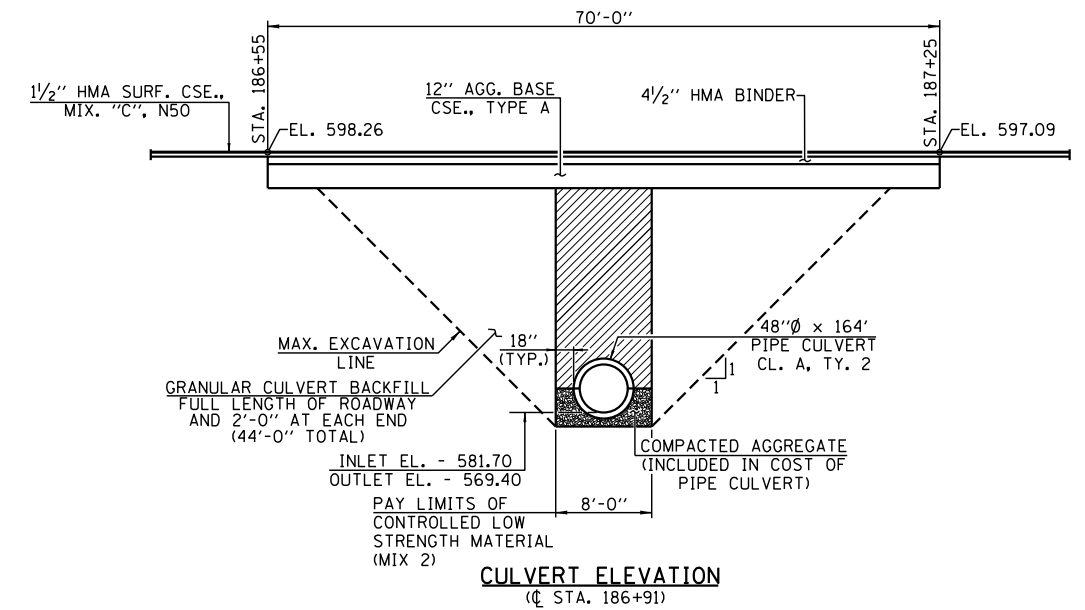
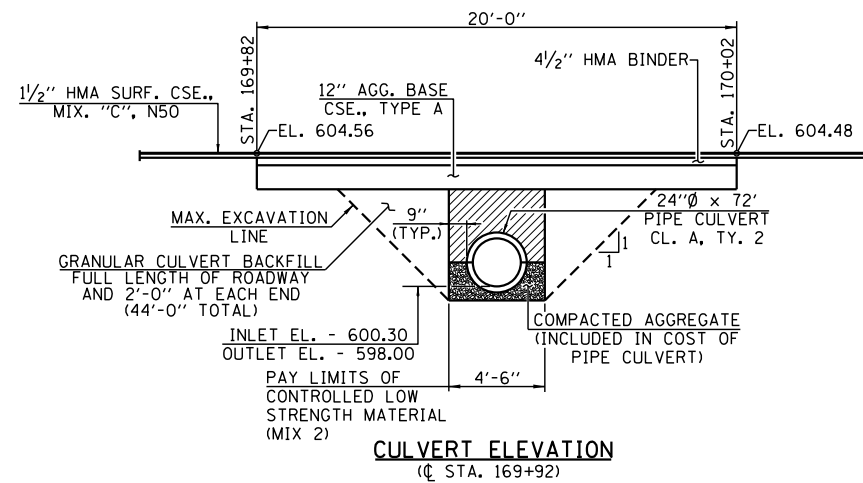
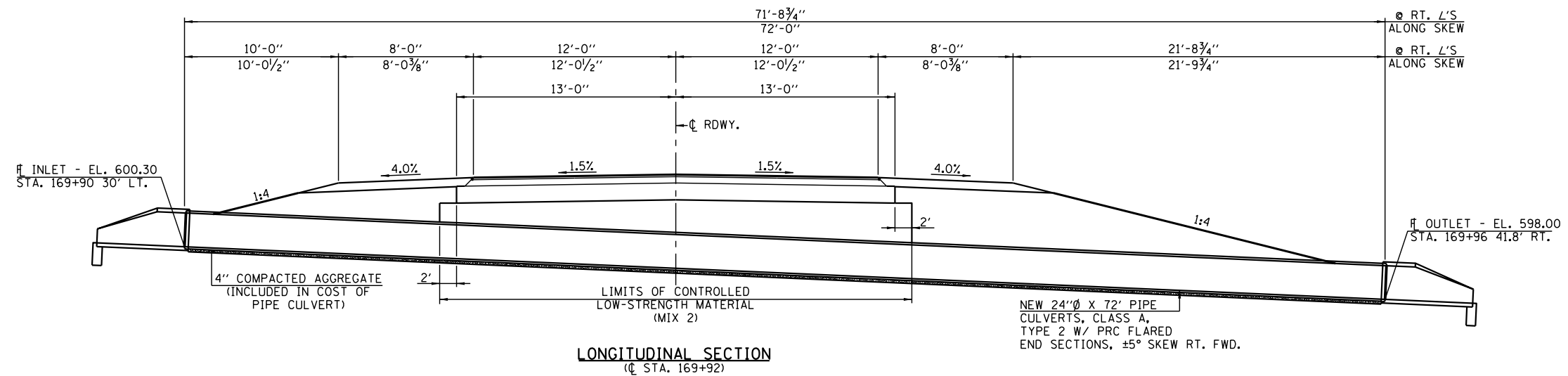
ENTRANCE AND INTERSECTION

SCALE: VARIES SHEET NO. 5 OF 5 SHEETS STA. _____ TO STA. _____

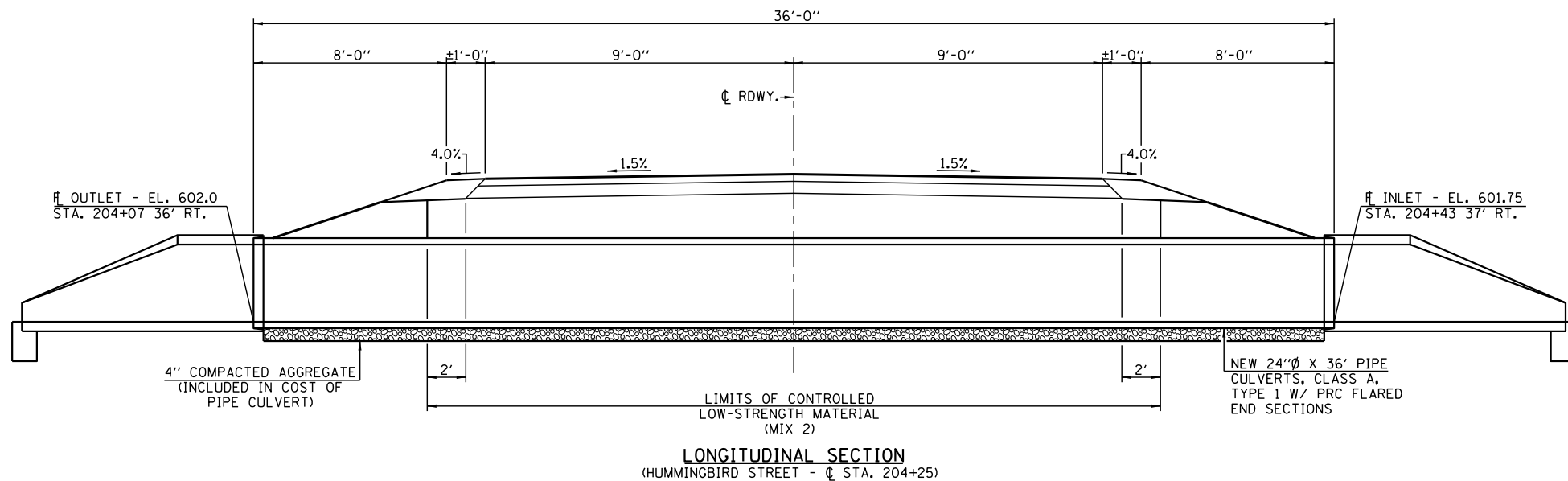
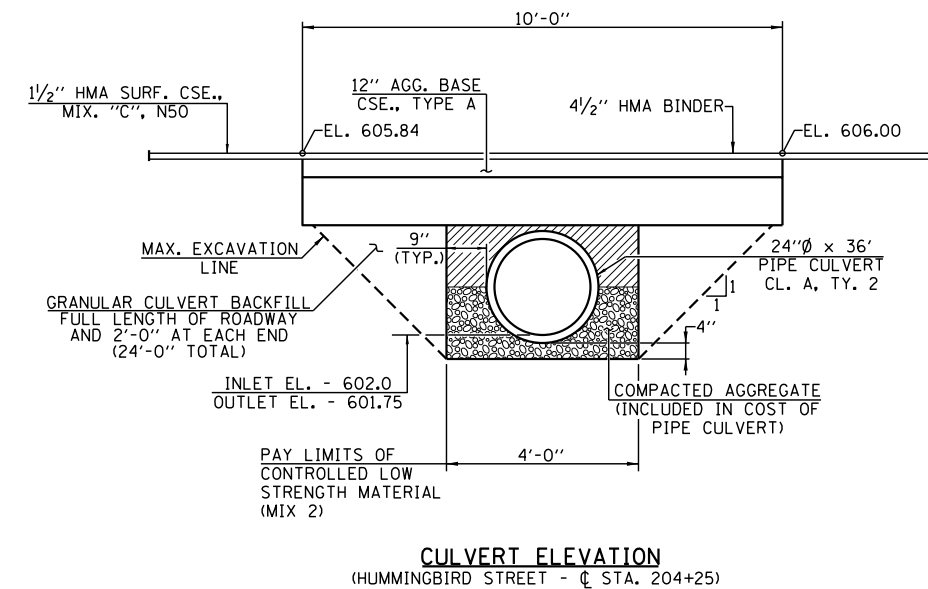
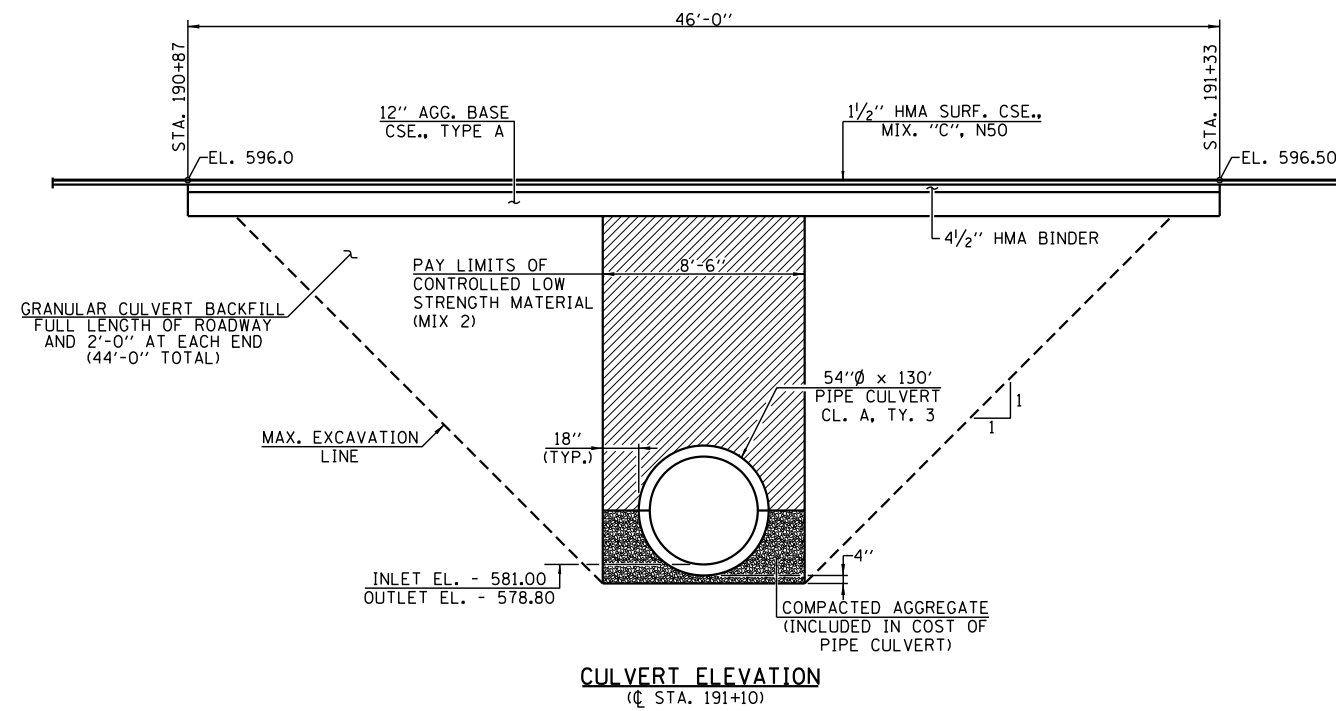
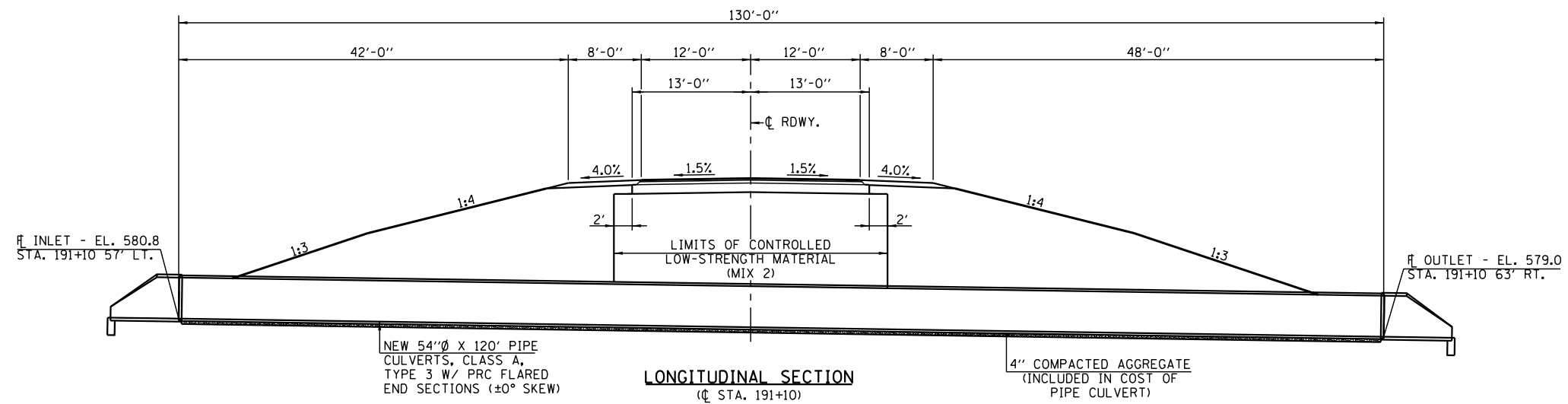
F.A.S. RTE.	SECTION	COUNTY	TOTAL SHEETS	SHEET NO.
574	20-00056-08-PV	MENARD	98	13
				CONTRACT NO. 93775
ILLINOIS FED. AID PROJECT				



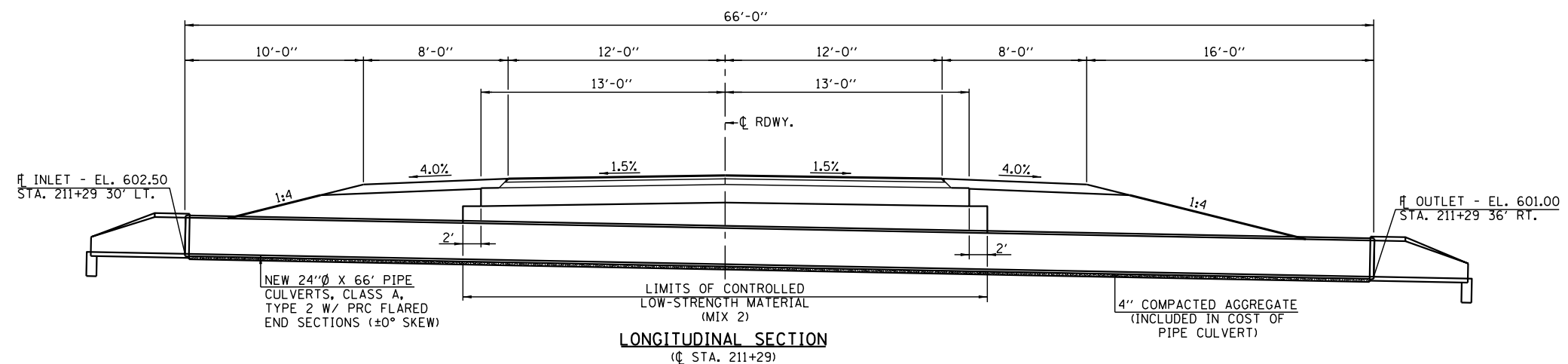
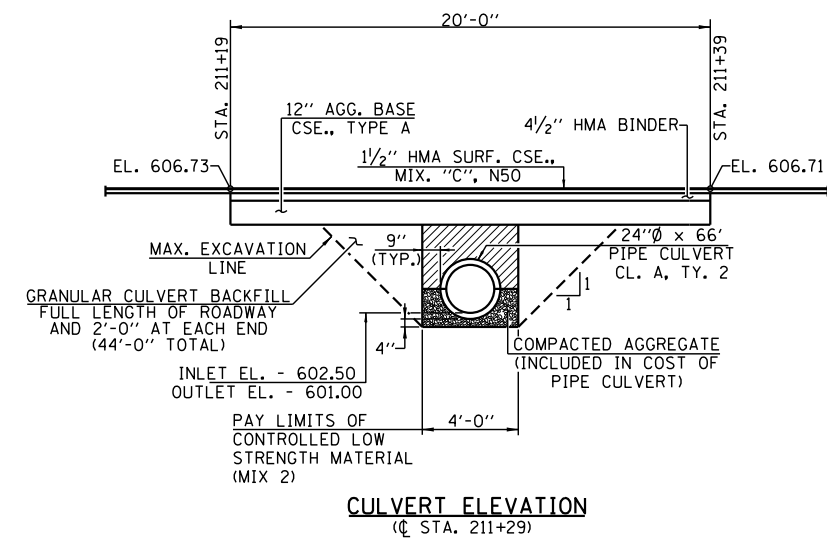
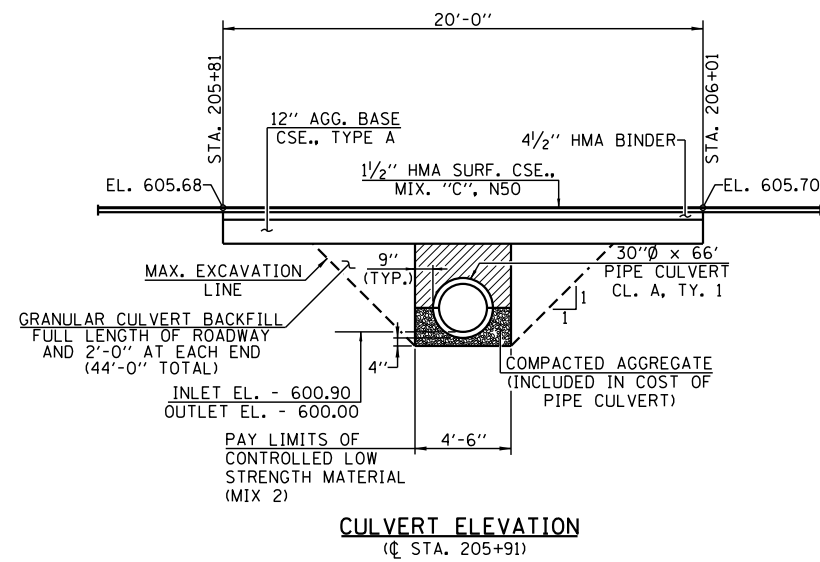
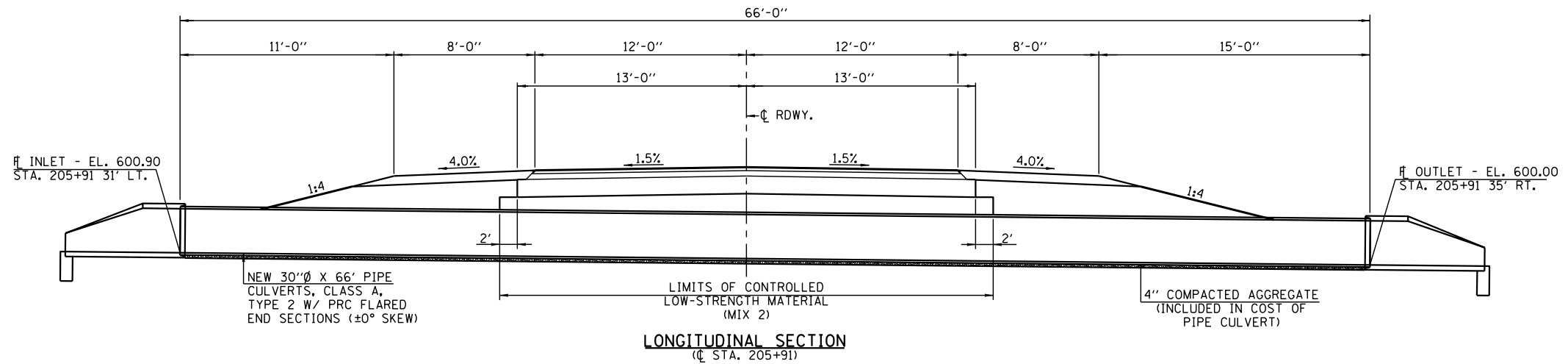
FILE NAME =	USER NAME = *USER*	DESIGNED -	REVISED -	V&K	Veenstra & Kimm, Inc. Springfield, IL. Phone: (217)544-8033 IL. Design Firm No. 184-001939	CROSS ROAD CULVERT DETAILS			F.A.S. RTE.	SECTION	COUNTY	TOTAL SHEETS	SHEET NO.	
FILEL		DRAWN -	REVISED -			574	20-00056-08-PV	MENARD	98	14				
PLOT SCALE = *SCALE*		CHECKED -	REVISED -			SCALE: 1" = 8'			SHEET NO. 1 OF 6 SHEETS		STA. _____ TO STA. _____	CONTRACT NO. 93775		
PLOT DATE = *DATE*		DATE -	REVISED -			FED. ROAD DIST. NO. [ILLINOIS] FED. AID PROJECT								



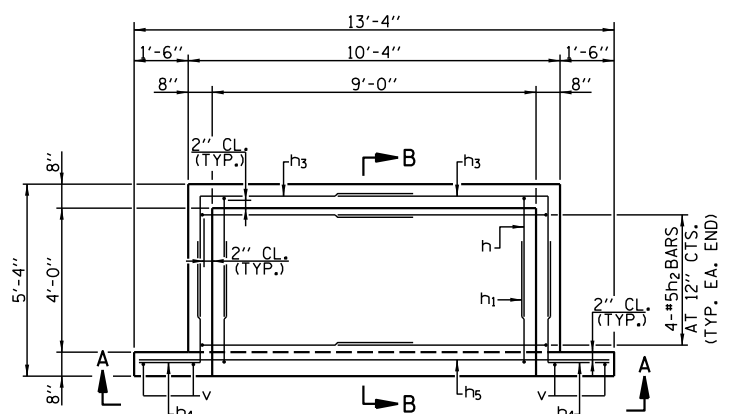
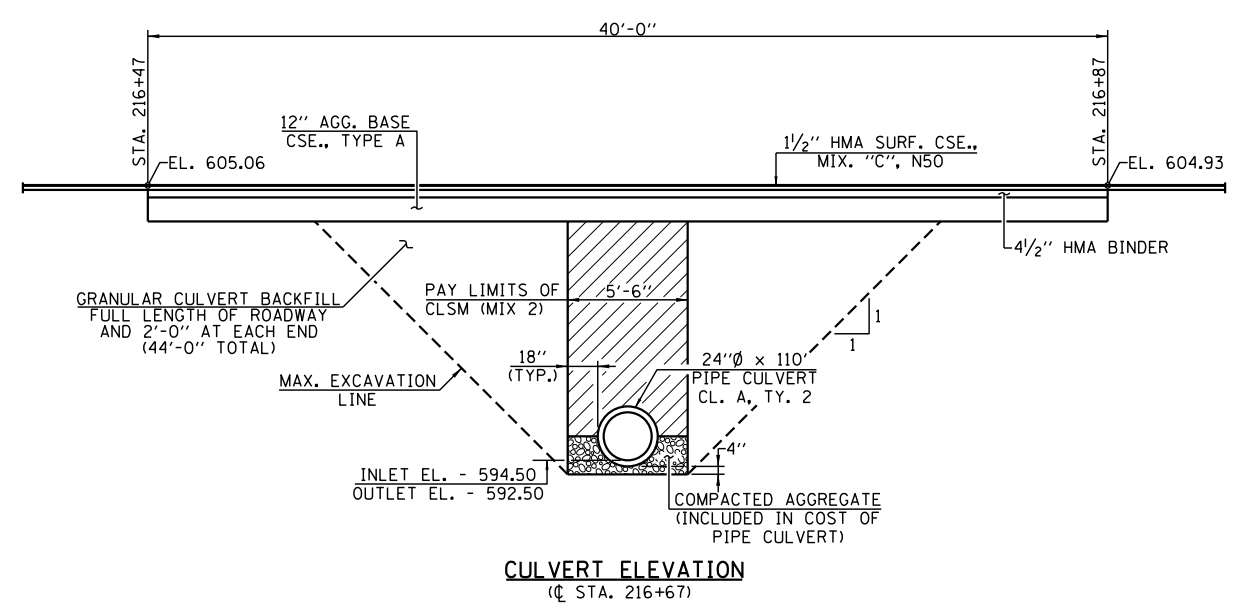
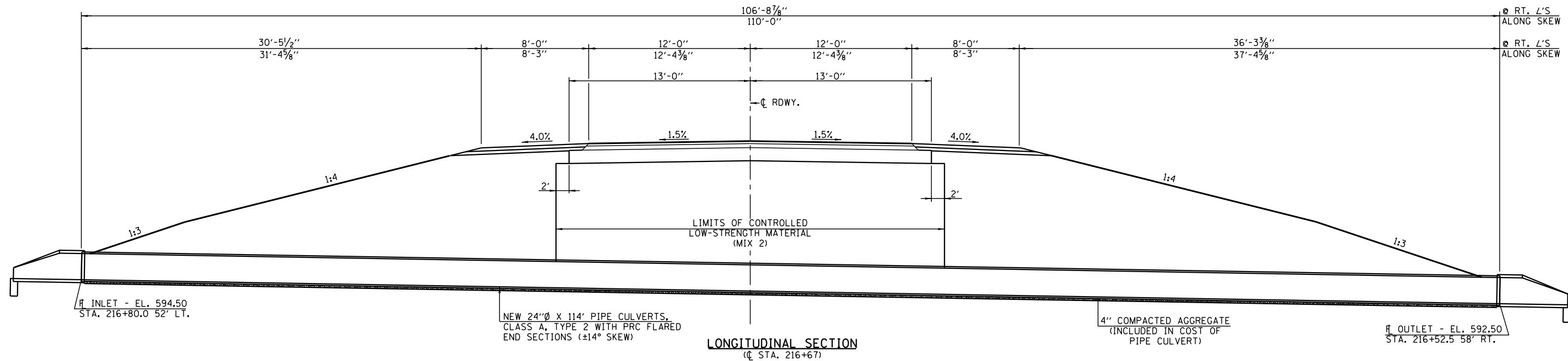
FILE NAME =	USER NAME = *USER*	DESIGNED -	REVISED -	V&K	Veenstra & Kimm, Inc. Springfield, IL. Phone: (217)544-8033 IL. Design Firm No. 184-001939	CROSS ROAD CULVERT DETAILS			F.A.S. RTE.	SECTION	COUNTY	TOTAL SHEETS	SHEET NO.
*FILE#		DRAWN -	REVISED -			574	20-00056-08-PV	MENARD	98	16			
PLOT SCALE = *SCALE*		CHECKED -	REVISED -			CONTRACT NO. 93775							
PLOT DATE = *DATE*		DATE -	REVISED -			SCALE: 1" = 8'			SHEET NO. 3 OF 6 SHEETS			STA. _____ TO STA. _____	
										FED. ROAD DIST. NO. _____ [ILLINOIS] FED. AID PROJECT			



FILE NAME = *FILEL*	USER NAME = *USER*	DESIGNED -	REVISED -	Veenstra & Kimm, Inc. Springfield, IL. Phone: (217)544-8033 IL. Design Firm No. 184-001939	CROSS ROAD CULVERT DETAILS			F.A.S. RTE.	SECTION	COUNTY	TOTAL SHEETS	SHEET NO.	
		DRAWN -	REVISED -					574	20-00056-08-PV	MENARD	98	17	
		PLOT SCALE = *SCALE*	CHECKED -		REVISED -	SCALE: 1" = 8'			SHEET NO. 4 OF 6 SHEETS		STA. _____ TO STA. _____	CONTRACT NO. 93775	
		PLOT DATE = *DATE*	DATE -		REVISED -	FED. ROAD DIST. NO. _____ ILLINOIS FED. AID PROJECT							

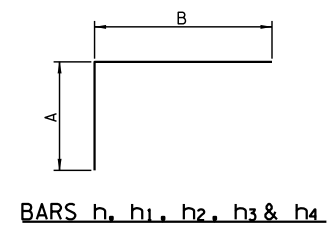


FILE NAME = #FILE#	USER NAME = #USER#	DESIGNED - DRAWN -	REVISED - REVISED -		Veenstra & Kimm, Inc. Springfield, IL. Phone: (217)544-8033 IL. Design Firm No. 184-001939	CROSS ROAD CULVERT DETAILS			F.A.S. RTE. 574	SECTION 20-00056-08-PV	COUNTY MENARD	TOTAL SHEETS 98	SHEET NO. 18	
SCALE: 1" = 8'									SHEET NO. 5 OF 6 SHEETS		STA. _____ TO STA. _____		CONTRACT NO. 93775	
PLOT SCALE = #SCALE#		CHECKED -	REVISED -			FED. ROAD DIST. NO. _____ ILLINOIS FED. AID PROJECT								
PLOT DATE = #DATE#		DATE -	REVISED -											

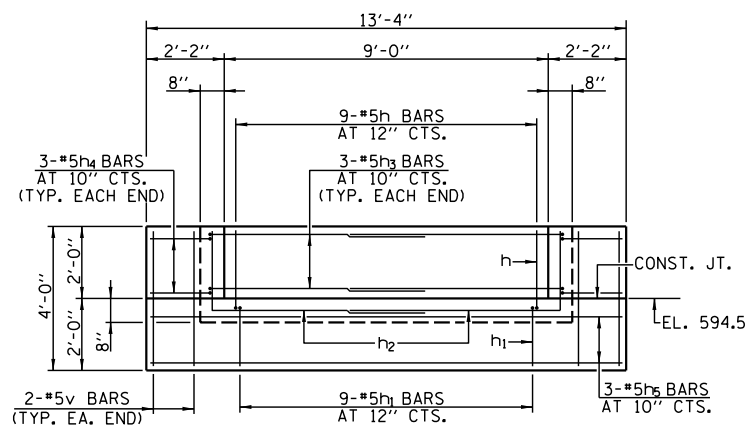


REMOVAL OF EXISTING ENERGY DISSIPATOR AND INCORPORATION OF EXISTING DRAIN TILES INTO THE NEW ENERGY DISSIPATOR WILL NOT BE PAID FOR SEPARATELY BUT SHALL BE INCLUDED IN THE COST OF CONCRETE BOX CULVERTS. HOLD EXISTING TILE ELEVATIONS IN NEW STRUCTURE.

MIN. BAR LAP
#5 = 2'-2"



BAR	A	B
h	2'-0"	3'-6"
h1	1'-8"	3'-6"
h2	2'-1"	6'-0"
h3	3'-6"	6'-0"
h4	1'-10"	3'-6"



BILL OF MATERIAL

BAR	NO.	SIZE	LENGTH	SHAPE
h	9	#5	5'-6"	┌
h	9	#5	5'-2"	┌
h	8	#5	8'-1"	┌
h	6	#5	9'-6"	┌
h	6	#5	5'-4"	┌
h	3	#5	13'-0"	—
v	4	#5	3'-8"	—
Concrete Box Culverts			Cu. Yd.	3.0
Reinforcement Bars			Pound	320

DESIGN STRESSES
 fy = 60,000 psi (Reinforcement)
 f'c = 3,500 psi

TEMPORARY EROSION CONTROL ITEMS

LOCATION	28000250 TEMPORARY EROSION CONTROL SEEDING	28000400 PERIMETER EROSION BARRIER	28000500 INLET AND PIPE PROTECTION
	POUND	FOOT	EACH
STA. 131+70 TO STA. 144+00 LT.	64		
STA. 131+70 TO STA. 144+00 RT.	65		
STA. 144+00 TO STA. 158+00 LT.	67		
STA. 144+00 TO STA. 158+00 RT.	112		
STA. 158+00 TO STA. 172+00 LT.	96		
STA. 158+00 TO STA. 172+00 RT.	125		
STA. 172+00 TO STA. 186+00 LT.	108		
STA. 172+00 TO STA. 186+00 RT.	119		
STA. 186+00 TO STA. 200+00 LT.	143		
STA. 186+00 TO STA. 200+00 RT.	136		
STA. 200+00 TO STA. 214+00 LT.	87		
STA. 200+00 TO STA. 214+00 RT.	87		
STA. 214+00 TO STA. 221+00 LT.	56		
STA. 214+00 TO STA. 221+00 RT.	65		
STA. 143+00 TO STA. 150+00 LT. @ ROW LINE		736	
STA. 143+00 TO STA. 150+00 RT. @ ROW LINE		727	
STA. 157+00 TO STA. 161+50 LT. @ ROW LINE		417	
STA. 157+50 TO STA. 162+00 RT. @ ROW LINE		490	
STA. 169+50 TO STA. 171+50 LT. @ ROW LINE		200	
STA. 169+50 TO STA. 171+50 RT. @ ROW LINE		200	
STA. 182+50 TO STA. 188+90 LT. @ ROW LINE		644	
STA. 182+50 TO STA. 190+00 RT. @ ROW LINE		759	
STA. 190+25 50' TO 95' TO STA. 191+16 RT. @ ROW LINE		61	
STA. 190+25 TO STA. 195+00 LT. @ ROW LINE		479	
STA. 190+25 TO STA. 194+00 LT. @ ROW LINE		424	
STA. 204+50 TO STA.206+10 LT. @ ROW LINE		160	
STA. 204+50 TO STA.206+50 RT. @ ROW LINE		201	
STA. 210+00 TO STA.212+50 LT. @ ROW LINE		250	
STA. 210+00 TO STA.212+50 RT. @ ROW LINE AND EASEMENT LINE		355	
STA. 215+00 TO STA.217+41 LT. @ ROW LINE		243	
STA. 215+00 TO STA.217+46 RT. @ ROW LINE		260	
STA. 140+03 34' RT.			1
STA. 142+08 30' LT.			1
STA. 146+88 82' LT.			1
STA. 150+80 31.7' RT.			1
STA. 155+66 31' LT.			1
STA. 157+07 29' LT.			1
STA. 159+55 70' LT.			1
STA. 161+94 31' LT.			1
STA. 163+26 32' RT.			1
STA. 163+85 32' RT.			1
STA. 168+47 28' RT.			1
STA. 169+90 30' LT.			1
STA. 172+59 36' RT.			1
STA. 174+14 31' RT.			1
STA. 179+80 34' RT.			1
STA. 179+90 31' LT.			1
STA. 181+96 42.5' RT.			1
STA. 186+52 70' LT.			1
STA. 191+10 57' LT.			1
STA. 194+73 29' RT.			1
STA. 202+38 35' RT.			1
STA. 204+07 36' RT.			1
STA. 205+91 31' LT.			1
STA. 206+64 37' LT.			1
STA. 209+24 32' RT.			1
STA. 211+29 30' LT.			1
STA. 216+80 52' LT.			1
STA. 217+91 30' LT.			1
TOTAL	1330	6603	28

TREE REMOVAL

LOCATION	20100110 TREE REMOVAL (6 TO 15 UNITS DIAMETER)	20100210 TREE REMOVAL (OVER 15 UNITS DIAMETER)
	UNIT	UNIT
STA. 166+16 35' RT.	10	
STA. 166+41 38' RT.	15	
STA. 166+42 37' RT. (2 TREES @ 8)	16	
STA. 166+43 39' RT.	8	
STA. 167+09 39' RT.	12	
STA. 167+59 41' RT.	12	
STA. 167+61 41' RT.	8	
STA. 167+62 40' RT.	6	
STA. 167+64 42' RT.	6	
STA. 173+67 34' RT.	12	
STA. 174+ 63 38' RT. (2 TREES @ 12)	24	
STA. 183+08 40' RT.	6	
STA. 183+12 41' RT. (4 TREES @ 6)	24	
STA. 183+42 40' RT. (2 TREES @ 8)	16	
STA. 183+51 41' RT.	6	
STA. 183+90 39' RT.	6	
STA. 185+36 37' RT.	6	
STA. 185+39 35' RT.	6	
STA. 185+47 37' RT.	6	
STA. 185+66 37' RT.	6	
STA. 173+67 34' RT.	12	
STA. 174+63 38' RT.	24	
STA. 183+42 40' RT.	16	
STA. 191+15 43' RT.	14	
STA. 191+80 44' RT.	12	
STA. 191+87 43' RT.	6	
STA. 205+63 47' RT.	6	
STA. 205+63 41' RT.	6	
STA. 205+97 37' RT.	12	
STA. 206+00 43' RT.		18
STA. 206+79 42' RT.	15	
TOTAL	334	18

20100500 TREE REMOVAL, ACRES

LOCATION	TREE REMOVAL, ACRES
STA. 142+91 32' RT. TO STA. 150+19 TO PROP. ROW RT.	0.71
STA. 156+36 33' RT. TO STA. 162+32 TO PROP. ROW RT.	0.71
STA. 186+05 32' RT. TO STA. 191+87 TO PROP. ROW RT.	0.58
STA. 186+00 68' LT. TO STA. 188+69 TO PROP. ROW. LT.	0.07
TOTAL	2.07

USE 2.1 ACRE

28100207 STONE RIPRAP, CLASS A4

LOCATION	STONE RIPRAP, CLASS A4 TON
STA. 135+50 TO STA. 138+00 LT.	107
STA. 145+00 TO STA. 149+00 LT.	228
STA. 145+00 TO STA. 149+00 RT.	224
CULVERT CENTERLINE @ STA. 157+55 LT.	19
STA. 157+50 TO STA. 162+00 RT.	257
STA. 157+55 TO STA. 161+00 LT.	276
STA. 168+77 TO STA. 170+00 RT.	86
STA. 182+00 TO STA. 188+50 LT.	400
STA. 182+00 TO STA. 189+00 RT.	423
STA. 190+00 TO STA. 195+00 LT.	329
STA. 190+25 TO STA. 194+37 RT.	259
CULVERT CENTERLINE @ STA. 205+91 LT.	10
CULVERT CENTERLINE @ STA. 205+91 RT.	10
CULVERT CENTERLINE @ STA. 211+29 LT.	19
STA. 215+00 TO STA. 217+00 RT.	115
STA. 216+00 TO STA. 217+31 LT.	81
TOTAL	2843

28000305 TEMPORARY DITCH CHECKS	
LOCATION	TEMPORARY DITCH CHECKS FOOT
STA. 143+00 30' LT. & 29.5' RT.	18
STA. 146+00 57.5' LT. & 61' RT.	16
STA. 147+50 51.5' LT. & 75' RT.	16
STA. 148+50 36' LT. & 38.5' RT.	18
STA. 152+50 32' LT. & 32' RT.	18
STA. 157+00 31' RT.	9
STA. 158+50 47.5' LT. & 62' RT.	16
STA. 160+50 33' LT. & 70.5' RT.	17
STA. 162+50 32' LT. & 32.5' RT.	18
STA. 169+50 36' LT. & 36' RT.	18
STA. 170+50 33' LT. & 43' RT.	18
STA. 173+00 33' LT.	9
STA. 179+50 31' LT.	9
STA. 183+00 49.5' LT. & 50.5' RT.	16
STA. 184+50 48' LT. & 65' RT.	16
STA. 186+00 69' LT. & 58' RT.	16
STA. 188+00 32' LT. & 69' RT.	17
STA. 189+00 28' RT.	8
STA. 190+50 52' LT. & 52' RT.	16
STA. 192+00 64' LT. & 67' RT.	16
STA. 194+00 48' LT. & 31' RT.	17
STA. 196+50 31' LT. & 31' RT.	18
STA. 201+50 32' LT. & 36' RT.	18
STA. 203+50 28.5' LT. & 36' RT.	18
STA. 205+00 37' LT. & 39' RT.	18
STA. 207+50 31' LT. & 33' RT.	18
STA. 211+00 36' LT. & 41' RT.	18
STA. 215+50 39' LT. & 48' RT.	17
TOTAL	447

35100100 AGGREGATE BASE COURSE, TYPE A	
LOCATION	AGGREGATE BASE COURSE, TYPE A TON
STA. 146+61 TO STA. 147+15	94
STA. 159+25 TO STA. 159+85	104
STA. 169+82 TO STA. 170+02	35
STA. 186+55 TO STA. 187+25	122
STA. 190+87 TO STA. 191+33	80
HUMMINGBIRD STREET (CL STA. 204+25)	12
STA. 205+81 TO STA. 206+01	35
STA. 211+19 TO STA. 211+39	35
STA. 216+47 TO STA. 216+87	70
TOTAL	587

EARTHWORK				
LOCATION	EARTH EXCAVATION	EARTH EXCAVATION ADJUSTED FOR SHRINKAGE	EMBANKMENT	EARTHWORK BALANCE WASTE (+) OR SHORTAGE (-)
	CU. YD.	CU. YD.	CU. YD.	CU. YD.
STA. 131+70 TO STA. 144+00	361	271	1605	-1334
STA. 144+00 TO STA. 158+00	4039	3030	5502	-2472
STA. 158+00 TO STA. 172+00	5615	4212	4405	-193
STA. 172+00 TO STA. 186+00	5733	4300	3264	1036
STA. 186+00 TO STA. 200+00	5396	4047	8597	-4550
STA. 200+00 TO STA. 214+00	1606	1204	1515	-310
STA. 214+00 TO STA. 221+00	993	745	1689	-933
TOTAL	23743	17809	26577	-8768

35600700 HOT-MIX ASPHALT BASE COURSE WIDENING	
LOCATION	HOT-MIX ASPHALT BASE COURSE WIDENING, 6" SQ. YD.
STA. 131+48.71 TO STA. 145+00	739
STA. 145+00 TO STA. 146+61	115
STA. 147+15 TO STA. 148+50	39
STA. 148+50 TO STA. 158+50	556
STA. 158+50 TO STA. 159+25	48
STA. 160+00 TO STA. 169+82	554
STA. 170+02 TO STA. 182+50	694
STA. 182+50 TO STA. 186+55	268
STA. 187+25 TO STA. 189+50	125
STA. 189+50 TO STA. 190+87	96
STA. 191+33 TO STA. 193+00	119
STA. 193+00 TO STA. 205+81	712
STA. 206+01 TO STA. 211+19	288
STA. 211+39 TO STA. 216+33	275
STA. 216+73 TO STA. 221+00	238
TOTAL	4866

44000100 PAVEMENT REMOVAL	
LOCATION	PAVEMENT REMOVAL SQ. YD.
STA. 146+61 TO STA. 147+15	132
STA. 159+25 TO STA. 159+85	147
STA. 169+82 TO STA. 170+02	49
STA. 186+55 TO STA. 187+25	172
STA. 190+87 TO STA. 191+33	113
HUMMINGBIRD STREET	20
STA. 205+81 TO STA. 206+01	49
STA. 211+19 TO STA. 211+39	49
STA. 216+33 TO STA. 216+73	98
TOTAL	829

48100100 AGGREGATE SHOULDERS	
LOCATION	AGGREGATE SHOULDERS, TYPE A TON
P.E. STA. 140+23 RT.	18
F.E. STA. 142+34 LT.	29
F.E. STA. 150+48 RT.	43
F.E. STA. 154+84.50 LT.	27
P.E. STA. 155+80 RT.	13
P.E. STA. 156+25 RT.	21
F.E. STA. 157+35 LT.	37
F.E. STA. 161+74.50 LT.	43
P.E. STA. 163+10 RT.	13
P.E. STA. 163+69 RT.	13
P.E. STA. 168+62 RT.	16
P.E. STA. 172+44 RT.	13
P.E. STA. 173+98 RT.	13
P.E. STA. 177+33.50 RT.	20
P.E. STA. 179+99 RT.	22
P.E. STA. 180+04 LT.	16
P.E. STA. 182+10 RT.	16
P.E. STA. 189+08 LT.	16
P.E. STA. 190+10.50 RT.	16
P.E. STA. 194+57 RT.	18
P.E. STA. 198+82 LT.	11
F.E. STA. 199+00 RT.	37
F.E. STA. 199+36 LT.	29
RELOCATED F.E. STA. 202+64 RT.	37
RELOCATED F.E. STA. 206+30 LT.	43
P.E. STA. 208+27 RT.	12
F.E. STA. 209+50 RT.	32
F.E. STA. 213+00 RT.	42
P.E. STA. 217+61 LT.	13
STA. 131+70 TO STA. 221+00 LT. AND RT. SHOULDERS	4729
ENTRANCES FOR TEMP. ACCESS DURING CONST.	145
TOTAL	5553

ENERGY DISSIPATOR SCHEDULE		
LOCATION	50800105 REINFORCEMENT BARS	54003000 CONCRETE BOX CULVERTS
	POUND	CU. YD.
C.L. STA. 216+67	320	3.0
TOTAL	320	3.0

HMA RESURFACING SCHEDULE					
LOCATION	40600982 HOT-MIX ASPHALT SURFACE REMOVAL - BUTT JOINT	40600275 BITUMINOUS MATERIALS (PRIME COAT)	40600290 BITUMINOUS MATERIALS (TACK COAT)	40603080 HOT-MIX ASPHALT BINDER COURSE, IL-19.0, N50	40604050 HOT-MIX ASPHALT SURFACE COURSE, IL-9.5FG,MIX"C",N50
	SQ. YD.	POUND	POUND	TON	TON
STA. 131+70 TO STA. 133+25	489				
HUMMINGBIRD STREET	84				
SNYDER STREET	128				
STA. 219+25 TO STA. 221+00	428				
STA. 146+61 TO STA. 147+15		351			
STA. 159+25 TO STA. 159+85		390			
STA. 169+82 TO STA. 170+02		130			
STA. 186+55 TO STA. 187+25		455			
STA. 190+87 TO STA. 191+33		299			
HUMMINGBIRD STREET		45			
STA. 205+81 TO STA. 206+01		130			
STA. 211+19 TO STA. 211+39		130			
STA. 216+47 TO STA. 218+87		260			
STA. 131+70 TO STA. 146+61 (2 APPLICATIONS)			2908		
STA. 147+15 TO STA. 159+25 (2 APPLICATIONS)			2360		
STA. 159+85 TO STA. 169+82 (2 APPLICATIONS)			1945		
STA. 170+02 TO STA. 186+55 (2 APPLICATIONS)			3224		
STA. 187+25 TO STA. 190+87 (2 APPLICATIONS)			706		
STA. 191+33 TO STA. 205+81 (2 APPLICATIONS)			2824		
STA. 206+01 TO STA. 211+19 (2 APPLICATIONS)			1011		
STA. 211+39 TO STA. 216+33 (2 APPLICATIONS)			964		
STA. 216+73 TO STA. 221+00 (2 APPLICATIONS)			833		
STA. 131+70 TO STA. 221+00					3286
HUMMINGBIRD STREET					7
SNYDER STREET					11
STA.144+50 TO STA. 150+50				843	
STA. 157+75 TO STA. 160+50				229	
STA. 169+00 TO STA. 175+75				340	
STA. 178+75 TO STA. 187+25				676	
STA. 189+25 TO STA. 194+35				589	
STA. 198+50 TO STA. 203+50				414	
STA. 205+81 TO STA. 206+01				14	
STA. 211+19 TO STA. 211+39				14	
STA. 216+47 TO STA. 216+87				28	
TOTAL	1129	2190	16775	3147	3304

50105220 PIPE CULVERT REMOVAL	
LOCATION	PIPE CULVERT REMOVAL
	FOOT
C.L. STA. 146+88 - 48"	102
F.E. STA. 150+48 RT. - 15"	30
P.E. STA. 155+80 RT. - 15"	50
C.L. STA. 156+25 - 15"	50
C.L. STA. 159+46 - 36"	86
F.E. STA. 161+74.50 LT. - 12"	26
P.E. STA. 163+10 RT. - 12"	30
P.E. STA. 163+69 RT. - 15"	32
P.E. STA. 168+62 RT. - 15"	30
C.L. STA. 169+92 - 18"	52
P.E. STA. 172+44 RT. - 15"	26
P.E. STA. 173+98 RT. - 15"	28
C.L. STA. 186+84 - 24"	102
C.L. STA. 191+03 - 56"	70
P.E. STA. 194+57 RT. - 15"	40
C.L. STA. 205+91 - 30"	54
C.L. STA. 211+29 - 24"	48
C.L. STA. 216+53 - 24"	74
TOTAL	930

54262715 METAL FLARED END SECTIONS 15"	
LOCATION	METAL END SECTIONS 15"
	EACH
STA. 140+03 & STA. 140+43 RT.	2
STA. 142+08 & STA. 142+62 RT.	2
STA. 150+16 & STA. 150+80 RT.	2
STA. 155+66 & STA. 156+48 RT.	2
STA. 157+07 & STA. 157+59 LT.	2
STA. 161+44 & STA. 162+06 LT.	2
STA. 162+92 & STA. 163+26 RT.	2
STA. 163+53 & STA. 163+85 RT.	2
STA. 168+47 & STA. 168+77 RT.	2
STA. 172+29 & STA. 172+59 RT.	2
STA. 173+82 & STA. 174+16 RT.	2
STA. 179+79 & STA. 180+21 RT.	2
STA. 179+90 & STA. 180+22 LT.	2
STA. 181+94 & STA. 182+30 RT.	2
STA. 194+37 & STA. 194+73 RT.	2
STA. 202+38 & STA. 202+92 RT.	2
STA. 205+96 & STA. 206+62 LT.	2
STA. 209+24 & STA. 209+78 RT.	2
STA. 217+53 & STA. 217+91 LT.	2
TOTAL	38

PRECAST REINFORCED CONCRETE FLARED END SECTIONS				
LOCATION	54213669 PRECAST REINFORCED CONCRETE FLARED END SECTIONS 24"	54213675 PRECAST REINFORCED CONCRETE FLARED END SECTIONS 30"	54213693 PRECAST REINFORCED CONCRETE FLARED END SECTIONS 48"	54213699 PRECAST REINFORCED CONCRETE FLARED END SECTIONS 54"
	EACH	EACH	EACH	EACH
STA. 169+90 30' LT.	1			
STA. 169+96 41.8' RT.	1			
STA. 204+07 36' RT.	1			
STA. 204+43 37' RT.	1			
STA. 211+29 30' LT. & 36' RT.	2			
STA. 216+52.5 58' RT.	1			
STA. 216+80 52' LT.	1			
STA. 205+91 31' LT. & 35' RT.		2		
STA. 186+52 74' LT.			1	
STA. 187+33 79.3'			1	
STA. 146+88 82' LT. & 92' RT.				2
STA. 159+55 70' LT. & 82' RT.				2
STA. 191+03 62' LT. & 68' RT.				2
TOTAL	8	2	2	6

PIPE CULVERTS, CLASS A SCHEDULE

LOCATION	542A0229 PIPE CULVERTS, CLASS A, TYPE 1 24"	542A1069 PIPE CULVERTS, CLASS A, TYPE 2 24"	542A1075 PIPE CULVERTS, CLASS A, TYPE 2 30"	542A2773 PIPE CULVERTS, CLASS A, TYPE 4 48"	542A1939 PIPE CULVERTS, CLASS A, TYPE 3 54"	542A2779 PIPE CULVERTS, CLASS A, TYPE 4 54"
	FOOT	FOOT	FOOT	FOOT	FOOT	FOOT
STA. 204+07 36' LT. TO STA. 204+43 37' RT.	36					
STA. 169+90 30' LT. TO STA. 169+96 41.8' RT.		72				
STA. 211+29 30' LT. TO 36' RT.		66				
STA. 216+52.5 58' RT TO STA. 216+80 52' LT.		114				
STA. 205+91 31' LT. TO 35' RT.			66			
STA. 186+52 70' LT. TO STA. 187+33 94' RT.				174		
STA. 159+55 70' LT. TO 82' RT.					152	
STA. 191+03 62' LT. TO 68' RT.					130	
STA. 148+88 82' LT. TO 92' RT.						174
TOTAL	36	252	66	174	282	174

59300100 CONTROLLED LOW STRENGTH MATERIAL	
LOCATION	CONTROLLED LOW STRENGTH MATERIAL CU. YD.
C.L. STA. 146+84	233
C.L. STA. 159+55	183
C.L. STA. 169+62	31
C.L. STA. 186+91	226
C.L. STA. 191+10	164
HUMMINGBIRD STREET	12
C.L. STA. 205+91	18
C.L. STA. 211+29	16
C.L. STA. 216+67	87
TOTAL	970

70107025 CHANGEABLE MESSAGE SIGN	
LOCATION	CHANGEABLE MESSAGE SIGN CAL DAY
MESSAGE BOARD 1	210
MESSAGE BOARD 2	210
MESSAGE BOARD 3	210
MESSAGE BOARD 4	210
TOTAL	840

78001110 PAINT PAVEMENT MARKING - LINE 4"			
LOCATION	SKIP DASH YELLOW	SOLID YELLOW	EDGE LINE WHITE
	FOOT	FOOT	FOOT
STA. 131+70 TO STA. 134+00		460	460
STA. 134+00 TO STA. 144+00	250	1000	2000
STA. 144+00 TO STA. 147+25		650	650
STA. 147+25 TO STA. 155+25	200	800	1600
STA. 155+25 TO STA. 176+85		4320	4320
STA. 176+85 TO STA. 187+50	270	1065	2130
STA. 187+50 TO STA. 196+00	210	850	1700
STA. 196+00 TO STA. 198+50	60		500
STA. 198+50 TO STA. 208+00	240	950	1900
STA. 208+00 TO STA. 221+00	330		2600
SUB-TOTAL	1560	10095	17860
TOTAL		29515	

542D0220 PIPE CULVERTS, CLASS D, TYPE 1 15"	
LOCATION	PIPE CULVERTS, CLASS D, TYPE 1 15" FOOT
STA. 140+03 TO STA. 140+43 RT.	40
STA. 142+08 TO STA. 142+62 LT.	54
STA. 150+16 TO STA. 150+80 RT.	64
STA. 155+66 TO STA. 156+48 RT.	82
STA. 157+07 TO STA. 157+59 LT.	52
STA. 161+44 TO STA. 162+06 LT.	62
STA. 162+92 TO STA. 163+26 RT.	34
STA. 163+53 TO STA. 163+85 RT.	32
STA. 168+47 TO STA. 168+77 RT.	30
STA. 172+29 TO STA. 172+59 RT.	30
STA. 173+84 TO STA. 174+14 RT.	30
STA. 179+80 TO STA. 180+20 RT.	40
STA. 179+90 TO STA. 180+22 RT.	32
STA. 181+96 TO STA. 182+26 RT.	30
STA. 194+37 TO STA. 194+73 RT.	36
STA. 202+38 TO STA. 202+92 RT.	54
STA. 205+96 TO STA. 206+62 LT.	66
STA. 209+24 TO STA. 209+78 RT.	54
STA. 217+53 TO STA. 217+91 LT.	38
TOTAL	860

66600105 FURNISHING AND ERECTING RIGHT OF WAY MARKERS	
LOCATION	FURNISHING AND ERECTING RIGHT OF WAY MARKERS EACH
STA. 136+00 39.34' LT.	1
STA. 137+00 55' LT.	1
STA. 137+50 50' LT.	1
STA. 138+43.47 39.15' LT.	1
STA. 142+00 41.16' RT	1
STA. 143+00 38.78' LT. & 50' RT.	2
STA. 144+00 50' LT.	1
STA. 145+00 50' RT	1
STA. 145+50 50' LT.	1
STA. 146+50 110' LT. & 115' RT.	2
STA. 147+50 110' LT. & 115' RT.	2
STA. 148+00 65' LT..	1
STA. 149+00 50' RT.	1
STA. 149+50 45' LT.	1
STA. 151+50 50' RT.	1
STA. 152+50 42.99' RT.	1
STA. 157+50 41.86' RT.	1
STA. 158+00 45' LT.	1
STA. 158+50 120' RT.	1
STA. 159+00 100' LT.	1
STA. 160+00 100' LT. & 120' RT.	2
STA. 161+00 50' LT.	1
STA. 162+00 39.14' LT. & 50' LT. & 45' RT.	3
STA. 164+50 40.60' RT. & 45' RT.	2
STA. 167+50 39.66' LT. & 40.34' RT.	2
STA. 167+99.91 45.15' RT.	1
STA. 168+00 45' LT.	1
STA. 169+54.10 60' RT.	1
STA. 171+50 60' RT.	1
STA. 172+66.70 40' RT. & 45' RT.	2
STA. 173+70.34 39.96' RT.	1
STA. 175+32.61 39.90' RT.	1
STA. 175+32.69 45' RT.	1
STA. 179+00 45' LT.	1
STA. 180+00 55' LT.	1
STA. 180+50 45' RT.	1
STA. 181+95.93 80.85' RT.	1
STA. 182+50 55' LT.	1
STA. 185+00 95' LT.	1
STA. 186+00 110' RT.	1
STA. 187+50 110' RT.	1
STA. 189+50 49.58' RT.	1
STA. 190+25 49.55' RT. & 95' RT.	2
STA. 191+00 95' RT.	1
STA. 192+00 95' LT.	1
STA. 193+50 55' RT.	1
STA. 195+00 45' LT.	1
STA. 196+00 55' RT.	1
STA. 196+50 39.84' LT	1
STA. 197+00 45' RT.	1
STA. 200+00 39.15' LT.	1
STA. 201+00 45' LT.	1
STA. 203+00 45' RT.	1
STA. 203+50 45' LT.	1
STA. 204+50 50' LT. & 60' RT.	2
STA. 208+00 40.67' RT.	1
STA. 210+00 40.45' RT.	1
STA. 211+00 50' RT.	1
STA. 213+50 50' LT.	1
STA. 215+00 50' RT.	1
STA. 216+00 (STA. 215+85.64 AH) 70' LT.	1
STA. 216+00 (STA. 215+85.86 AH) 70' RT.	1
STA. 217+15 70' LT.	1
STA. 217+41.02 49.92 LT.	1
STA. 218+00 70' RT.	1
STA. 218+46.11 59.65' RT.	1
STA. 220+51.55 60' LT.	1
STA. 220+51.58 50' LT.	1
TOTAL	79

X0327301 RELOCATE EXISTING MAILBOX	
LOCATION	RELOCATE EXISTING MAILBOX
	EACH
M.B. STA. 140+14 22' LT.	1
M.B. STA. 155+80 22' LT.	1
P.B. STA. 163+34 22' LT.	1
M.B. STA. 163+35 22' LT.	1
M.B. STA. 168+61 22' LT.	1
M.B. STA. 172+40 22' LT.	1
M.B. STA. 173+97 22' LT.	1
M.B. STA. 173+98 22' LT.	1
M.B. STA. 179+89 22' LT.	1
M.B. STA. 179+90 22' LT.	1
P.B. STA. 179+91 22' LT.	1
M.B. STA. 188+89 22' LT.	1
P.B. STA. 188+90 22' LT.	1
P.B. STA. 188+91 22' LT.	1
M.B. STA. 198+65 22' LT.	1
M.B. STA. 204+43 22' LT.	1
P.B. STA. 204+43 22' RT.	1
M.B. STA. 208+42 22' RT.	1
M.B. STA. 208+43 22' RT.	1
M.B. STA. 218+39 22' RT.	1
TOTAL	20

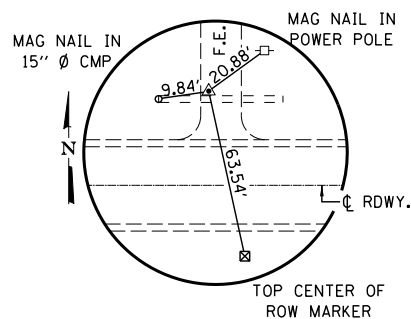
Z0022800 FENCE REMOVAL	
LOCATION	FENCE REMOVAL
	FOOT
STA. 138+07 49' RT. TO STA. 140+02 41' RT.	50
STA. 142+00 41' RT. TO STA. 150+32 42' RT.	832
STA. 150+56 42' RT. TO STA. 152+50 43' RT.	194
STA. 156+04 38' LT. TO STA. 157+29 38' LT.	125
STA. 156+03 42' RT. TO STA. 158+97 40' RT.	314
STA. 159+38 42' RT. TO STA. 162+29 41' RT.	291
STA. 160+14 38' LT. TO STA. 160+59 37' LT.	45
STA. 164+44 40' RT. TO STA. 164+52 45' RT.	8
STA. 166+40 44' RT. TO STA. 168+00 44' RT.	165
STA. 169+56 41' RT. TO STA. 169+84 41' RT.	28
STA. 170+27 40' RT. TO STA. 172+25 41' RT.	198
STA. 181+92 57' RT. TO STA. 181+92 42' RT.	15
STA. 181+93 41' LT. TO STA. 185+75 45' LT.	402
STA. 182+26 42' RT. TO STA. 186+62 49' RT.	436
STA. 186+92 48' LT. TO STA. 187+49 49' LT.	57
STA. 187+57 53' RT. TO STA. 193+18 40' RT.	571
STA. 189+31 50' LT. TO STA. 193+18 44' LT.	387
STA. 195+16 42' RT. TO STA. 195+16 54' RT.	12
TOTAL	4130

50100300 REMOVAL OF EXISTING STRUCTURES NO. 1	
LOCATION	REMOVAL OF EXISTING STRUCTURES NO. 1
	EACH
STA. 159+55 97' LT.	1
TOTAL	1

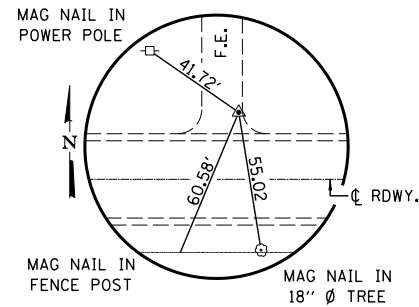
X2501000 SEEDING, CLASS 2 (SPECIAL)	
LOCATION	SEEDING CLASS 2 (SPECIAL)
	ACRE
STA. 131+70 TO STA. 144+00 LT.	0.64
STA. 131+70 TO STA. 144+00 RT.	0.65
STA. 144+00 TO STA. 158+00 LT.	0.67
STA. 144+00 TO STA. 158+00 RT.	1.12
STA. 158+00 TO STA. 172+00 LT.	0.96
STA. 158+00 TO STA. 172+00 RT.	1.25
STA. 172+00 TO STA. 186+00 LT.	1.08
STA. 172+00 TO STA. 186+00 RT.	1.19
STA. 186+00 TO STA. 200+00 LT.	1.43
STA. 186+00 TO STA. 200+00 RT.	1.36
STA. 200+00 TO STA. 214+00 LT.	0.87
STA. 200+00 TO STA. 214+00 RT.	0.87
STA. 214+00 TO STA. 221+00 LT.	0.56
STA. 214+00 TO STA. 221+00 RT.	0.65
TOTAL	13.30

Z0023602 GRANULAR CULVERT BACKFILL	
LOCATION	GRANULAR CULVERT BACKFILL
	CU. YD.
C.L. STA. 146+84	1018
C.L. STA. 159+55	594
C.L. STA. 169+62	54
C.L. STA. 186+91	922
C.L. STA. 191+10	431
HUMMINGBIRD STREET	9
C.L. STA. 205+91	28
C.L. STA. 211+29	24
C.L. STA. 216+67	227
TOTAL	3307

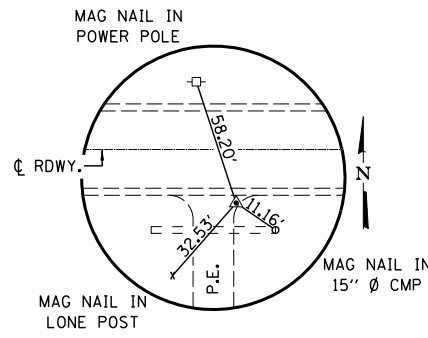
Z0041500 PLUG EXISTING CULVERTS	
LOCATION	PLUG EXISTING CULVERTS
	EACH
STA. 137+42 31' LT. TO STA. 137+42 23' RT. (18")	1
STA. 140+04 25' RT. TO STA. 140+44 26' RT. (15")	1
STA. 142+14 26' LT. TO STA. 142+54 26' LT. (15")	1
STA. 157+22 24' LT. TO STA. 157+52 24' LT. (15")	1
STA. 177+14 26' RT. TO STA. 177+50 24' RT. (15")	1
STA. 179+79 24' RT. TO STA. 180+23 24' RT. (15")	1
STA. 179+83 25' LT. TO STA. 180+47 25' LT. (15")	1
STA. 181+95 27' RT. TO STA. 182+25 27' RT. (15")	1
STA. 189+94 26' RT. TO STA. 190+26 26' RT. (15")	1
STA. 198+68 24' LT. TO STA. 198+94 26' LT. (15")	1
STA. 199+11 24' LT. TO STA. 199+37 24' LT. (15")	1
STA. 202+53 26' RT. TO STA. 202+95 26' RT. (15")	1
STA. 204+03 26' RT. TO STA. 204+43 26' RT. (15")	1
STA. 206+41 27' LT. TO STA. 206+71 25' LT. (15")	1
STA. 217+64 25' LT. TO STA. 217+86 24' LT. (15")	1
TOTAL	15



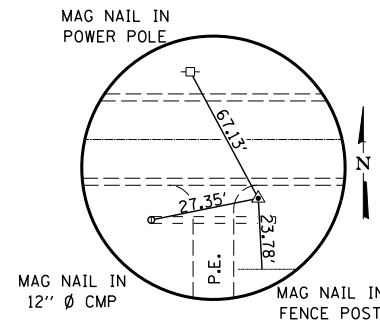
CONTROL POINT DA
 1/2" Ø IRON PIN
 STA. 142+03.23' LT.
 N. 1207689.40
 E. 2402248.90
 EL. 609.78



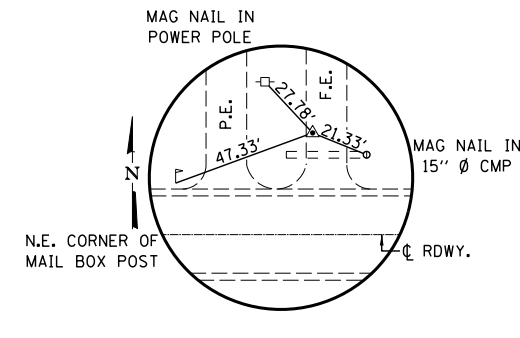
CONTROL POINT DB
 1/2" Ø IRON PIN
 STA. 157+29.18' LT.
 N. 1207692.66
 E. 2403775.43
 EL. 604.85



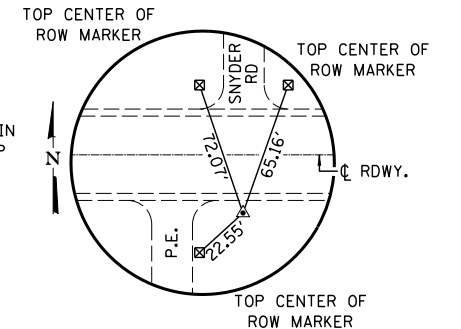
CONTROL POINT DC
 1/2" Ø IRON PIN
 STA. 168+55.17' RT.
 N. 1207662.95
 E. 2404901.35
 EL. 605.00



CONTROL POINT DD
 1/2" Ø IRON PIN
 STA. 182+00.19' RT.
 N. 1207667.75
 E. 2406246.22
 EL. 604.07

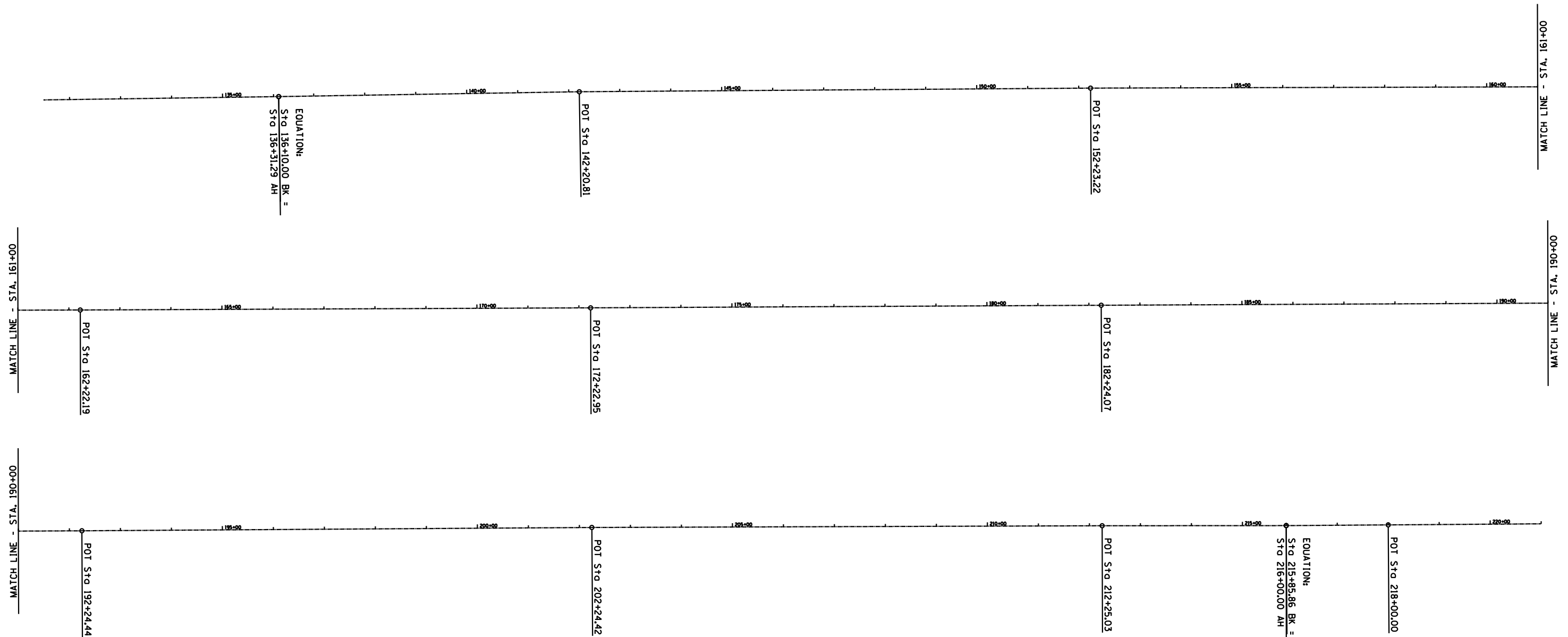


CONTROL POINT DE
 1/2" Ø IRON PIN
 STA. 198+96.31' RT.
 N. 1207726.40
 E. 2407941.52
 EL. 609.99



CONTROL POINT DF
 1/2" Ø IRON PIN
 STA. 208+33.23' RT.
 N. 1207676.04
 E. 2408878.86
 EL. 606.58

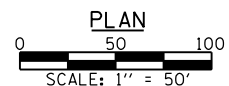
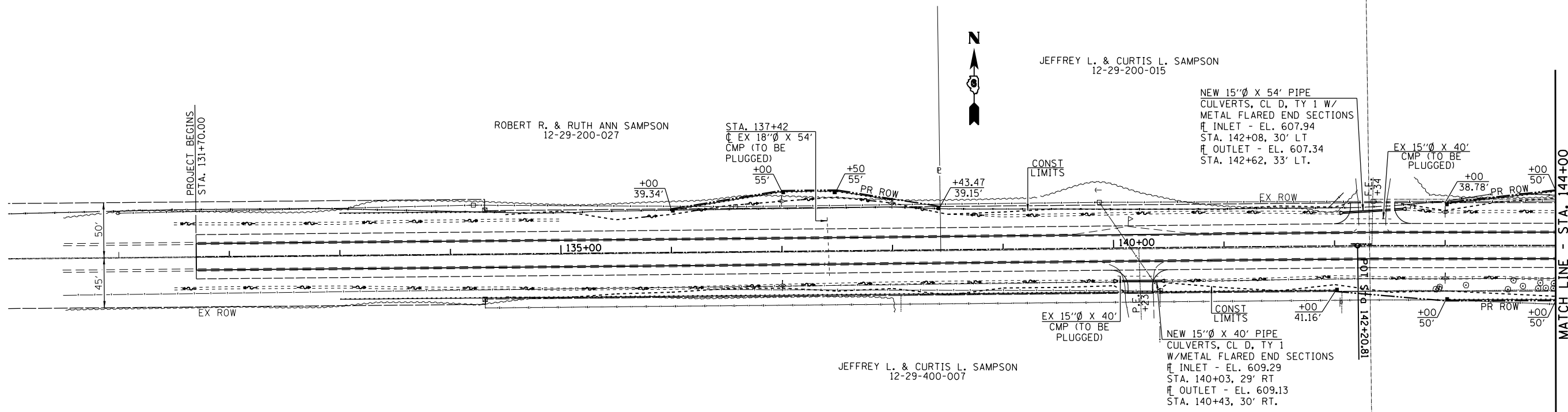
STA. 131+48.71 TO STA. 221+14.14



FILE NAME =	USER NAME = \$USER\$	DESIGNED -	REVISED -		Veenstra & Kimm, Inc. Springfield, IL. Phone: (217)544-8033 IL. Design Firm No. 184-001939	CONTROL POINTS, CROSS TIES			F.A.S. RTE.	SECTION	COUNTY	TOTAL SHEETS	SHEET NO.
*FILEL\$		DRAWN -	REVISED -			574	20-00056-08-PV	MENARD	98	25			
PLOT SCALE = \$SCALE\$		CHECKED -	REVISED -			CONTRACT NO. 93775							
PLOT DATE = \$DATE\$		DATE -	REVISED -			SCALE: NONE	SHEET NO. 1 OF 1 SHEETS	STA.	TO STA.	FED. ROAD DIST. NO.	ILLINOIS FED. AID PROJECT		

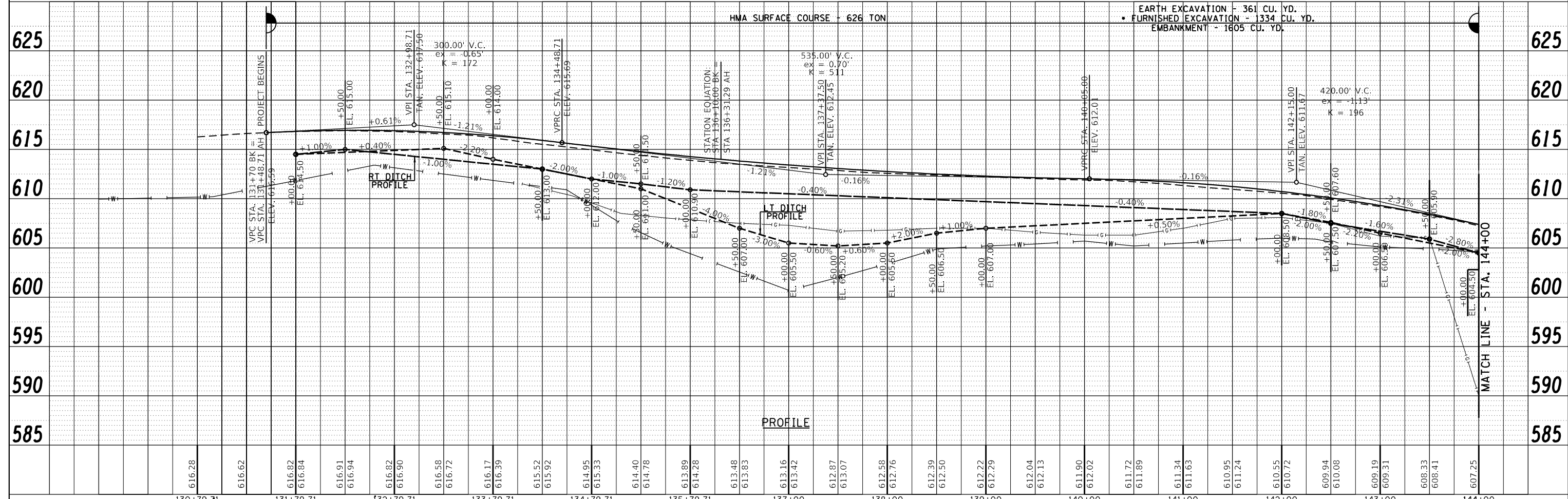
PLAN	SURVEYED	DATE
	PLOTTED	BY
	ALIGNED	CHECKED
	NOTED	NO.
	FILE NAME	

PROFILE	SURVEYED	DATE
	PLOTTED	BY
	GRADES CHECKED	CHECKED
	STRUCTURE NOTATIONS OK'D	NO.



- PERIMETER EROSION BARRIER
- TEMPORARY DITCH CHECKS
- INDICATES PAVEMENT REMOVAL

BENCHMARK *C8A: MAG SPIKE IN POWER POLE STA. 134+00 EL. 617.25
 BENCHMARK *D1: MAG NAIL IN TOP 15" Ø C.M.P. 24' RT. 139+82 EL. 609.20

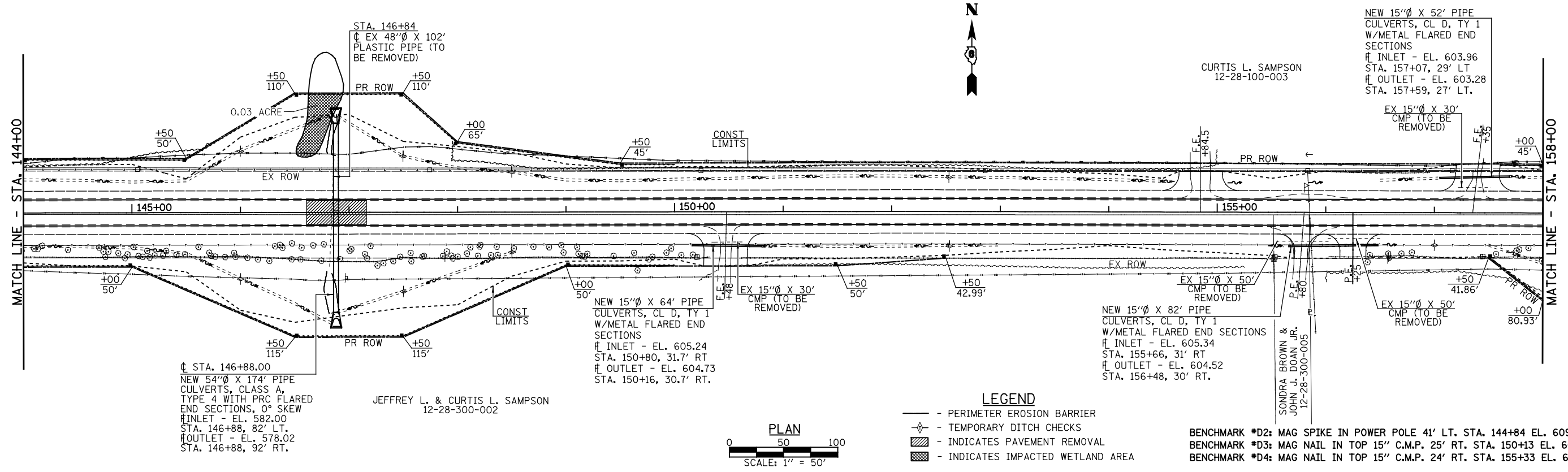


FILE NAME =	USER NAME = mfaush	DESIGNED -	REVISED -	Veenstra & Kimm, Inc. Springfield, IL. Phone: (217)544-8033 IL. Design Firm No. 184-001939	PLAN & PROFILE		F.A.S. RTE. 574	SECTION 20-00056-08-PV	COUNTY MENARD	TOTAL SHEETS 98	SHEET NO. 26	
Z:\2009 Jobs\LOCAL\Menard\09-023A C.H. 2	ATHENS (Blacktop) Phase 4\Segment D\CADD Sheets\09-023A-D-shp-plnprf.dgn	DRAWN -	REVISED -		SCALE: 1" = 50'	SHEET NO. 1 OF 7 SHEETS	STA. 131+70 TO STA. 144+00	CONTRACT NO. 93775		FED. ROAD DIST. NO. ILLINOIS FED. AID PROJECT		
PLOT SCALE = 100.0000' / in.		CHECKED -	REVISED -									
PLOT DATE = 7/26/2022												

SECTION 28, T. 18 N., R. 6 W., 3rd P.M.

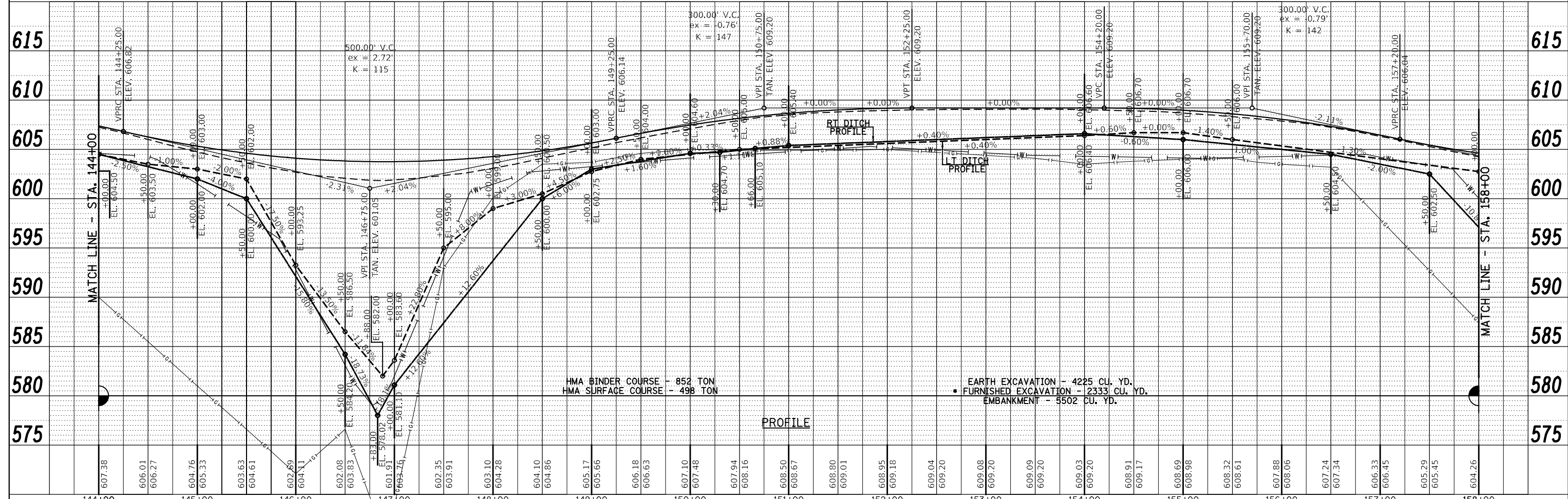
PLAN	SURVEYED	DATE
	PLOTTED	BY
	CHECKED	
	ALIGNED	
	REVISION	
	CADD FILE NAME	
	NO.	

PROFILE	SURVEYED	DATE
	PLOTTED	BY
	CHECKED	
	GRADES	
	STRUCTURE	
	NOTATIONS	
	CHRD	
	NO.	



- LEGEND**
- PERIMETER EROSION BARRIER
 - TEMPORARY DITCH CHECKS
 - INDICATES PAVEMENT REMOVAL
 - INDICATES IMPACTED WETLAND AREA

BENCHMARK #D2: MAG SPIKE IN POWER POLE 41' LT. STA. 144+84 EL. 609.30
 BENCHMARK #D3: MAG NAIL IN TOP 15" C.M.P. 25' RT. STA. 150+13 EL. 605.15
 BENCHMARK #D4: MAG NAIL IN TOP 15" C.M.P. 24' RT. STA. 155+33 EL. 605.10

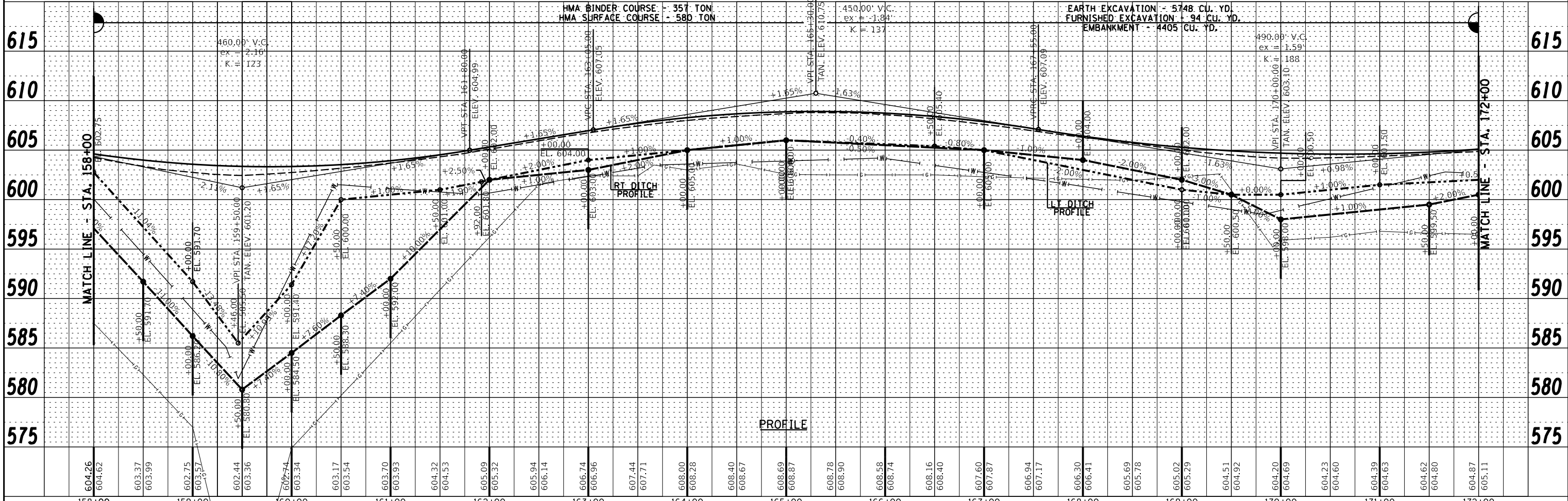
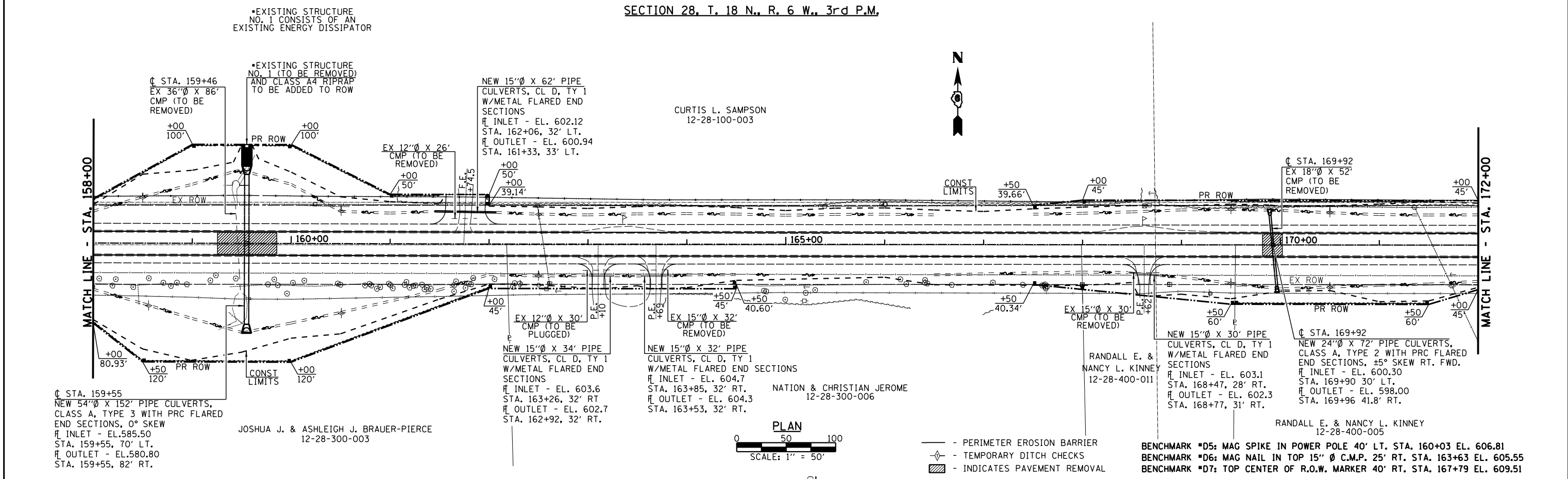


FILE NAME =	USER NAME = #USER*	DESIGNED -	REVISED -	<p>Veenstra & Kimm, Inc. Springfield, IL. Phone: (217)544-8033 IL. Design Firm No. 184-001939</p>	PLAN & PROFILE (AREA 2)		F.A.S. RTE.	SECTION	COUNTY	TOTAL SHEETS	SHEET NO.
Z:\2009 Jobs\LOCAL\Menard\09-023A C.H.2	Athens (Blacktop) Phase 4\Segment D\CADD Sheets\09-023A-D-shr-plnprof.dgn	CHECKED -	REVISED -		SCALE: 1" = 50'	SHEET NO. 2 OF 7 SHEETS	574	20-00056-08-PV	MENARD	98	27
	PLOT SCALE = #SCALE#	DRAWN -	REVISED -		STA. 144+00 TO STA. 158+00						
	PLOT DATE = 8/9/2022	CHECKED -	REVISED -								
								CONTRACT NO. 93775			
								FED. ROAD DIST. NO. ILLINOIS FED. AID PROJECT			

SECTION 28, T. 18 N., R. 6 W., 3rd P.M.

DATE	
BY	
PLAN	
NO.	
NO.	
NO.	
NO.	
NO.	

DATE	
BY	
PROFILE	
NO.	
NO.	
NO.	
NO.	
NO.	



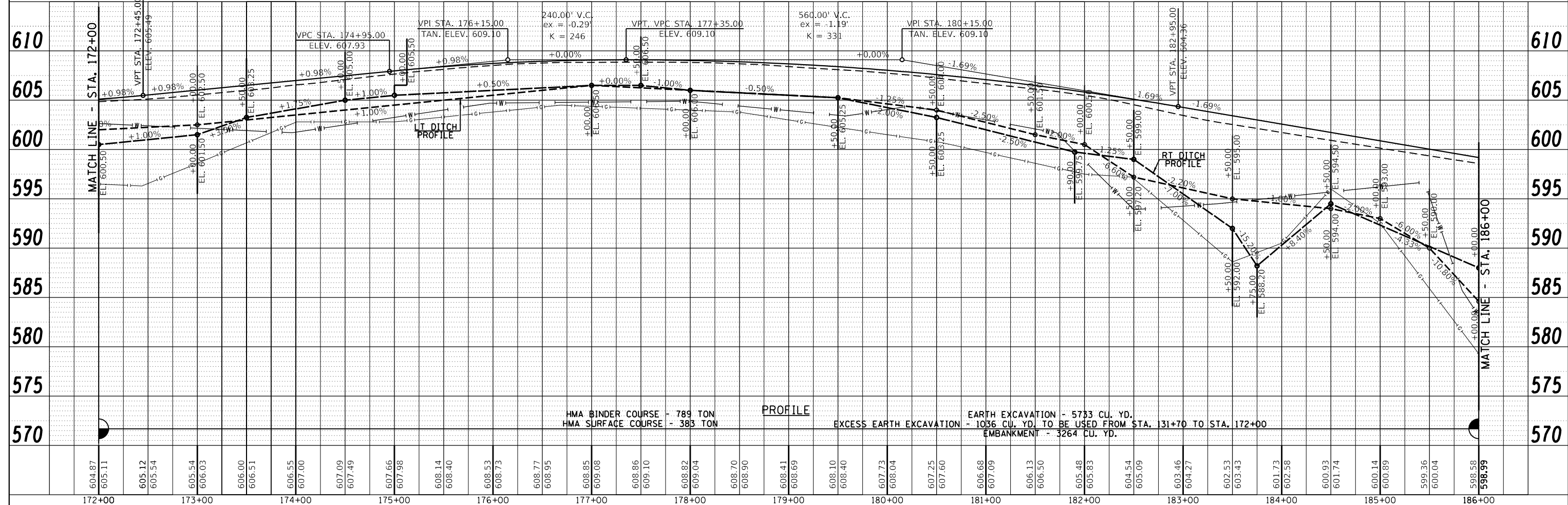
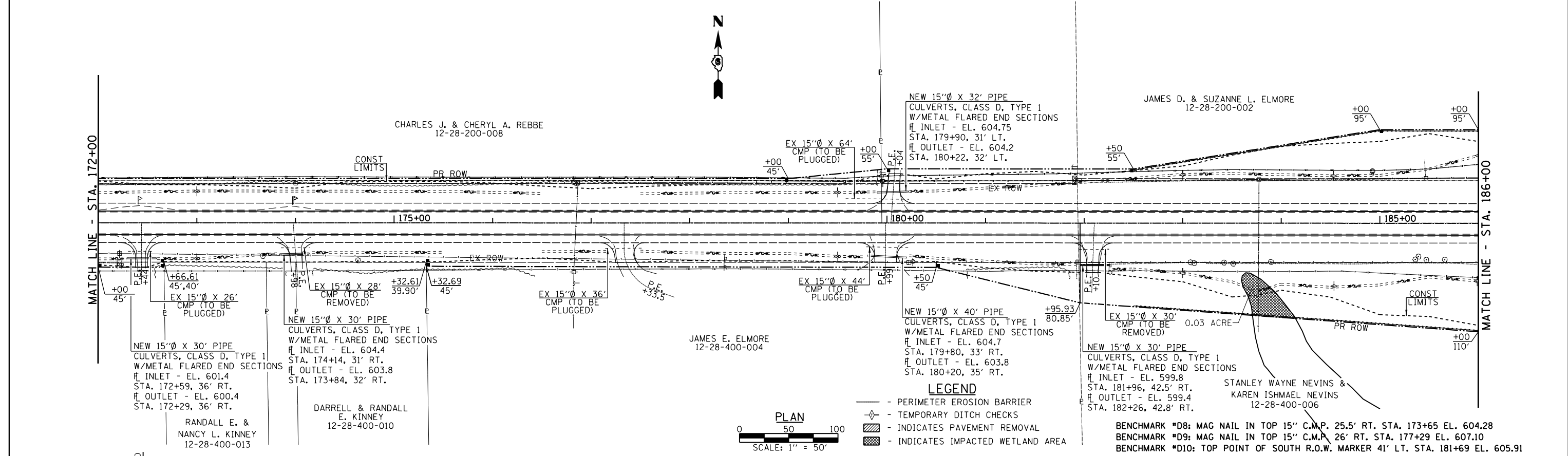
FILE NAME =	USER NAME = *USER*	DESIGNED -	REVISED -	<p>Veenstra & Kimm, Inc. Springfield, IL. Phone: (217)544-8033 IL. Design Firm No. 184-001939</p>	<p>PLAN & PROFILE</p> <p>SCALE: 1" = 50' SHEET NO. 3 OF 7 SHEETS STA. 158+00 TO STA. 172+00</p>	F.A.S. RTE. 574	SECTION 20-00056-08-PV	COUNTY MENARD	TOTAL SHEETS 98	SHEET NO. 28
FILEL	PLOT SCALE = *SCALE*	CHECKED -	REVISED -			CONTRACT NO. 93775				
	PLOT DATE = *DATE*	DRAWN -	REVISED -			FED. ROAD DIST. NO.	ILLINOIS FED. AID PROJECT			
		CHECKED -	REVISED -							

SECTION 28, T. 18 N., R. 6 W., 3rd P.M.



DATE	
BY	
PLAN	
SURVEYED	
PLOTTED	
ALIGNED	
CHECKED	
NO. _____	
NOTE BOOK	
NO. _____	
CADD FILE NAME	

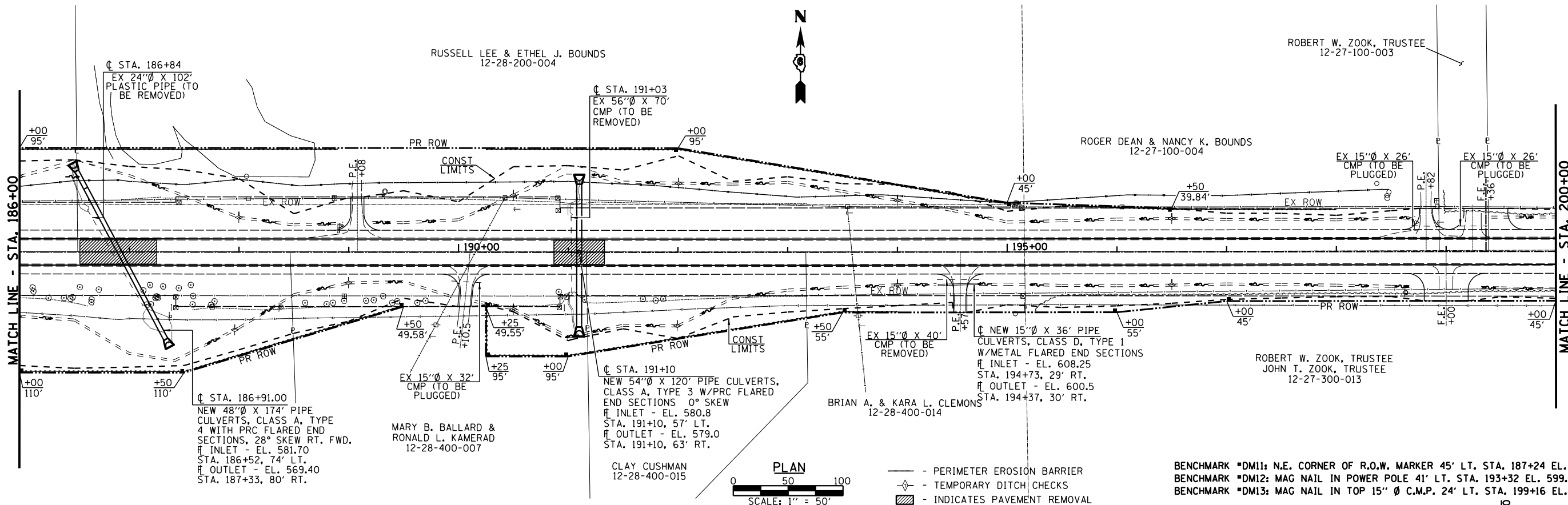
DATE	
BY	
PROFILE	
SURVEYED	
PLOTTED	
GRADES CHECKED	
STRUCTURE NOTATIONS CHECKED	
NO. _____	



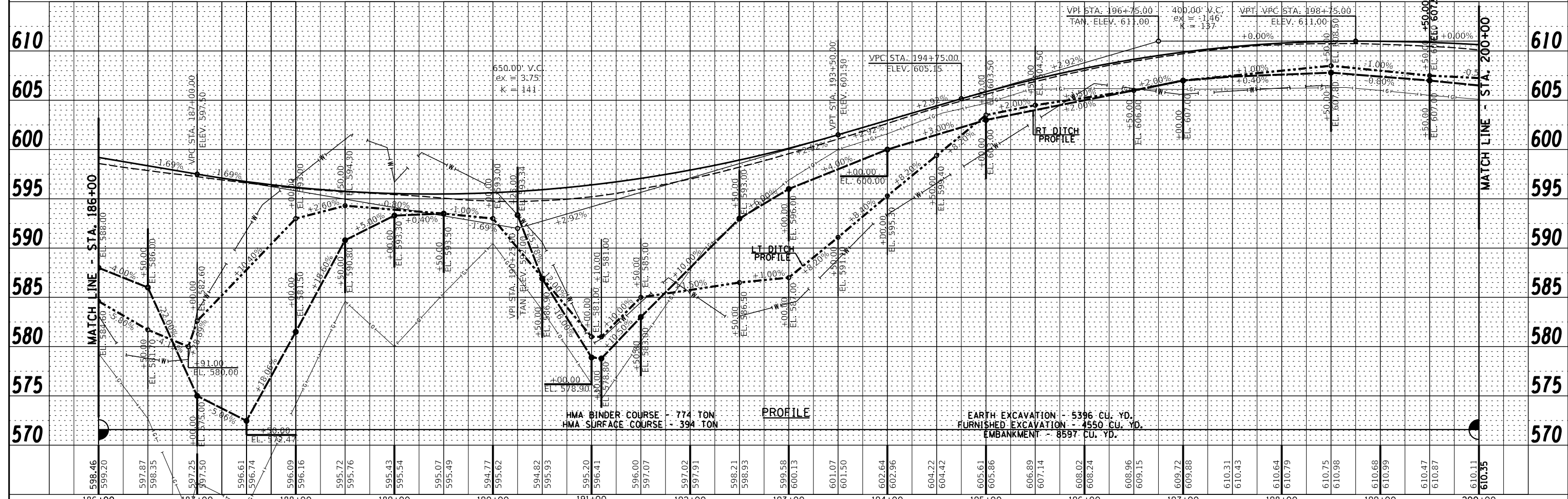
FILE NAME =	USER NAME = mfaush	DESIGNED -	REVISED -	<p>Veenstra & Kimm, Inc. Springfield, IL. Phone: (217)544-8033 IL. Design Firm No. 184-001939</p>	PLAN & PROFILE		F.A.S. RTE.	SECTION	COUNTY	TOTAL SHEETS	SHEET NO.	
Z:\2009 Jobs\LOCAL\Menard\09-023A C.H.2	Athens (Blacktop) Phase 4\Segment D\CADD Sheets\09-023A-D-sh-t-plnprf.dgn	DRAWN -	REVISED -		SCALE: 1" = 50'	SHEET NO. 4 OF 7 SHEETS	STA. 144+00 TO STA. 158+00	574	20-00056-08-PV	MENARD	98	29
PLOT SCALE = 100.0000' / in.	DRAWN -	REVISED -	REVISED -		FED. ROAD DIST. NO.			ILLINOIS FED. AID PROJECT				
PLOT DATE = 7/26/2022	CHECKED -	REVISED -	REVISED -		CONTRACT NO. 93775							

PLAN	SURVEYED	DATE
	PLOTTED	BY
	CHECKED	
	ALIGNED	
	FILED	
	NO. 1	
	NO. 2	
	NO. 3	
	NO. 4	
	NO. 5	
	NO. 6	
	NO. 7	
	NO. 8	
	NO. 9	
	NO. 10	

PROFILE	SURVEYED	DATE
	PLOTTED	BY
	CHECKED	
	GRADES	
	STRUCTURE	
	NOTATIONS	
	CHFD	
	NO. 1	
	NO. 2	
	NO. 3	
	NO. 4	
	NO. 5	
	NO. 6	
	NO. 7	
	NO. 8	
	NO. 9	
	NO. 10	



BENCHMARK *DM11: N.E. CORNER OF R.O.W. MARKER 45' LT. STA. 187+24 EL. 595.92
 BENCHMARK *DM12: MAG NAIL IN POWER POLE 41' LT. STA. 193+32 EL. 599.09
 BENCHMARK *DM13: MAG NAIL IN TOP 15" Ø C.M.P. 24' LT. STA. 199+16 EL. 608.16

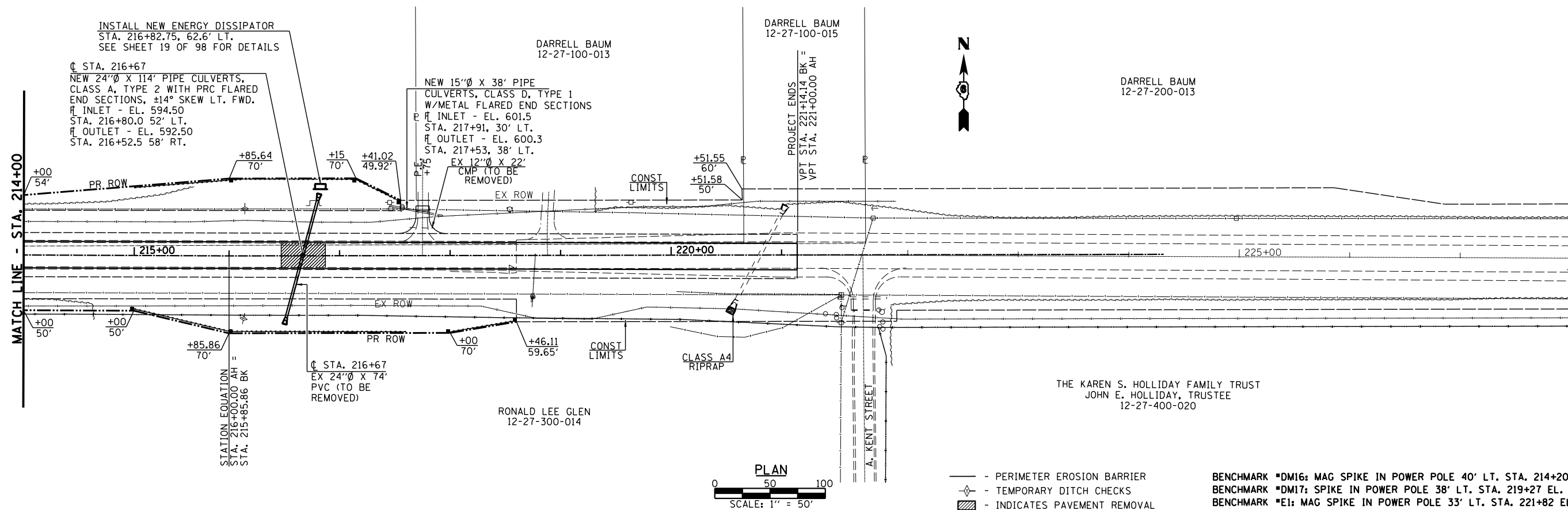


HMA BINDER COURSE - 774 TON
 HMA SURFACE COURSE - 394 TON
 EARTH EXCAVATION - 5396 CU. YD.
 FURNISHED EXCAVATION - 4550 CU. YD.
 EMBANKMENT - 8597 CU. YD.

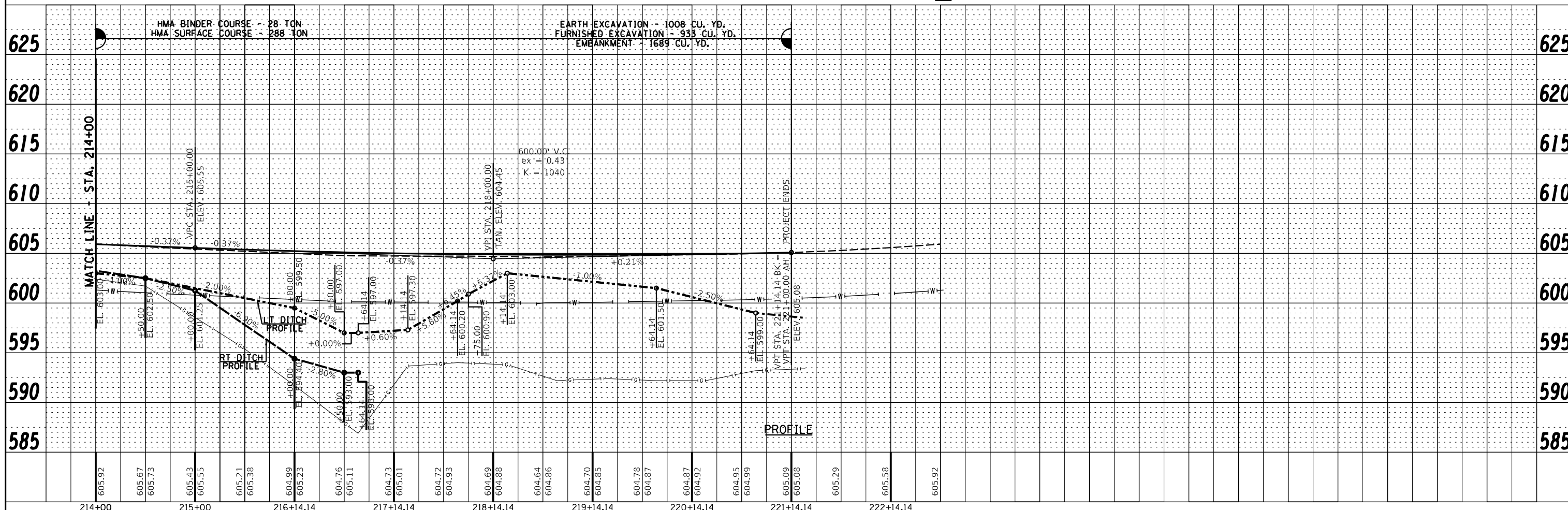
FILE NAME =	USER NAME = *USER*	DESIGNED -	REVISED -	Veenstra & Kimm, Inc. Springfield, IL. Phone: (217)544-8033 IL. Design Firm No. 184-001939	PLAN & PROFILE		F.A.S. RTE.	SECTION	COUNTY	TOTAL SHEETS	SHEET NO.	
FILEL		CHECKED -	REVISED -		SCALE: 1" = 50'	SHEET NO. 5 OF 7 SHEETS	STA. 186+00 TO STA. 200+00	574	20-00056-08-PV	MENARD	98	30
		DRAWN -	REVISED -					CONTRACT NO. 93775				
		CHECKED -	REVISED -					FED. ROAD DIST. NO. ILLINOIS FED. AID PROJECT				

SECTION 27, T. 18 N., R. 6 W., 3rd P.M.

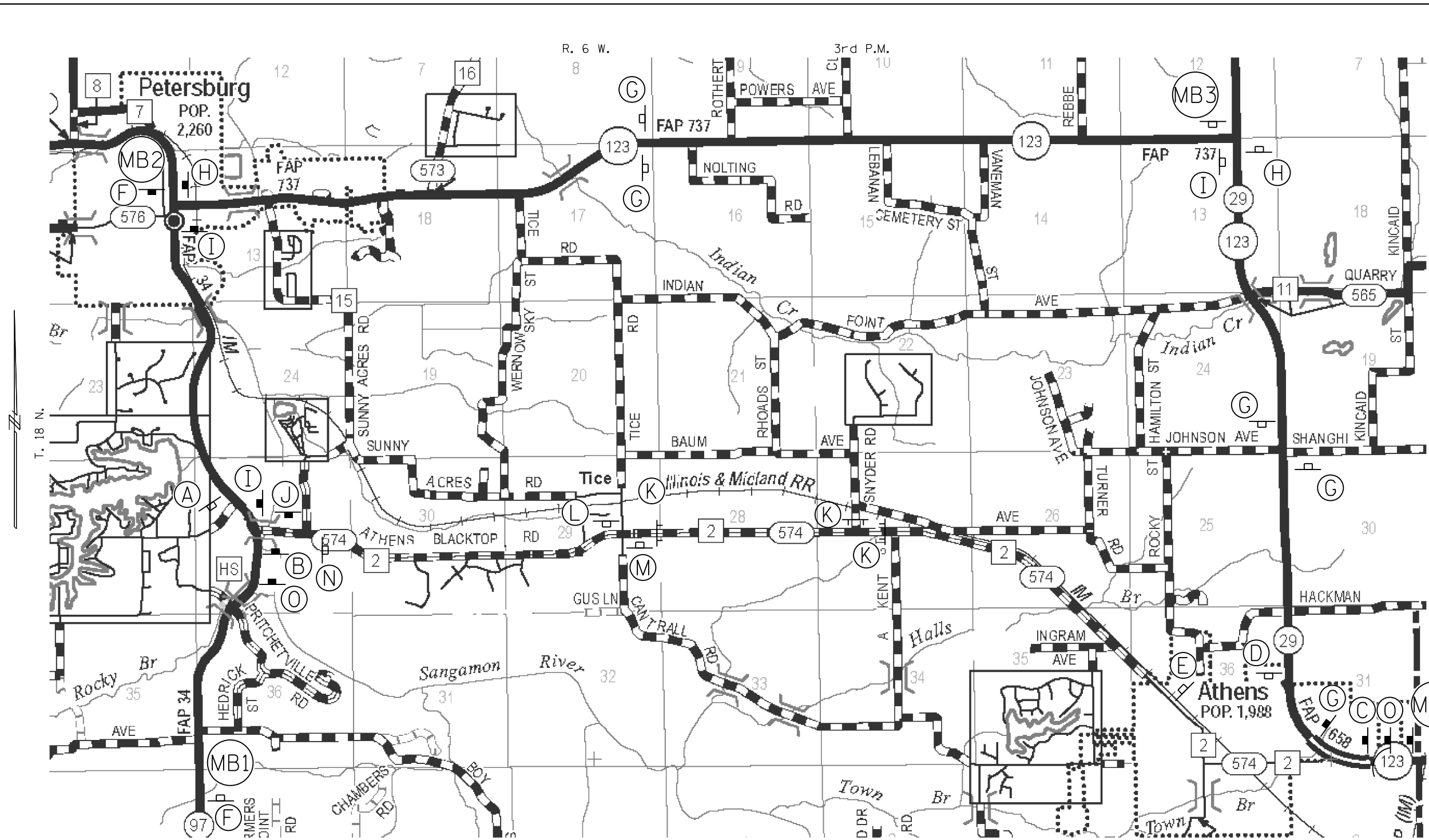
PLAN	SURVEYED	DATE
	PLOTTED	BY
	CHECKED	
	FILE NAME	
	NO.	



PROFILE	SURVEYED	DATE
	PLOTTED	BY
	CHECKED	
	NOTATIONS	
	NO.	



FILE NAME =	USER NAME = *USER*	DESIGNED -	REVISED -	Veenstra & Kimm, Inc. Springfield, IL. Phone: (217)544-8033 IL. Design Firm No. 184-001939	PLAN & PROFILE (AREA 2) SCALE: 1" = 50' SHEET NO. 7 OF 7 SHEETS STA. 214+00 TO STA. 221+00	F.A.S. RTE.	SECTION	COUNTY	TOTAL SHEETS	SHEET NO.
FILEL	PLOT SCALE = *SCALE*	CHECKED -	REVISED -			574	20-00056-08-PV	MENARD	98	32
	PLOT DATE = *DATE*	DRAWN -	REVISED -			CONTRACT NO. 93775				
		CHECKED -	REVISED -			FED. ROAD DIST. NO. ILLINOIS FED. AID PROJECT				



SIGN & BARRICADE LOCATION PLAN

- 60X30 ROAD CLOSED XX MILES AHEAD LOCAL TRAFFIC ONLY
R11-3A BLACK ON WHITE
- 48X30 ROAD CLOSED
R11-2 BLACK ON WHITE
- 12X ATHENS BLACKTOP
BLACK ON FLUORESCENT ORANGE WITH 6" LETTERS
- 30X24 DETOUR (Left Arrow)
M4-9L FLUORESCENT ORANGE
- 30X24 DETOUR (Right Arrow)
M4-9R FLUORESCENT ORANGE
- 36X36 DETOUR AHEAD
W20-2 BLACK ON FLUORESCENT ORANGE

LEGEND

SIGN A - "ATHENS BLACKTOP CLOSED 3 MILE AHEAD" R11-3A-6030 WITH W1-6L
 SIGN B - "ATHENS BLACKTOP CLOSED 3 MILE AHEAD" R11-3A-6030 WITH W1-6R
 SIGN C - "ATHENS BLACKTOP CLOSED 4 MILES AHEAD" R11-3A-6030 WITH W1-6L
 SIGN D - "ATHENS BLACKTOP CLOSED 4 MILES AHEAD" R11-3A-6030 WITH W1-6R
 SIGN E - "ATHENS BLACKTOP CLOSED 2 MILES AHEAD" R11-3A-6030
 SIGN F - "ATHENS BLACKTOP CLOSED 4.5 MILES AHEAD" (PLACE IN ADVANCE OF IL 123 INTERSECTION & BOY SCOUT TRAIL)
 SIGN G - "ATHENS BLACKTOP WITH M4-8"
 SIGN H - "ATHENS BLACKTOP" WITH DETOUR M4-9L
 SIGN I - "ATHENS BLACKTOP" WITH DETOUR M4-9R
 SIGN J - "ROAD CLOSED 2.5 MILES AHEAD" R11-3A-6030 WITH W1-6L AND M4-9R 3024

SIGN K - BLR STANDARD 21 WITH R11-2
 SIGN L - "ROAD CLOSED" R11-2-4830 WITH W1-6L
 SIGN M - "ROAD CLOSED" R11-2-4830 WITH W1-6R
 SIGN N - "ATHENS BLACKTOP CLOSED 2 MILE AHEAD" R11-3A-6030
 SIGN O - "DETOUR AHEAD" W20-2 WITH "ATHENS BLACKTOP"
 MB1 - MB4 - MESSAGE BOARDS

MB1
ATHENS BLACKTOP CLOSED 4 MILES AHEAD USE 123 TO PETERSBURG

MB2
ATHENS BLACKTOP CLOSED 4.5 MILES AHEAD 2 MILE WEST OF ATHENS

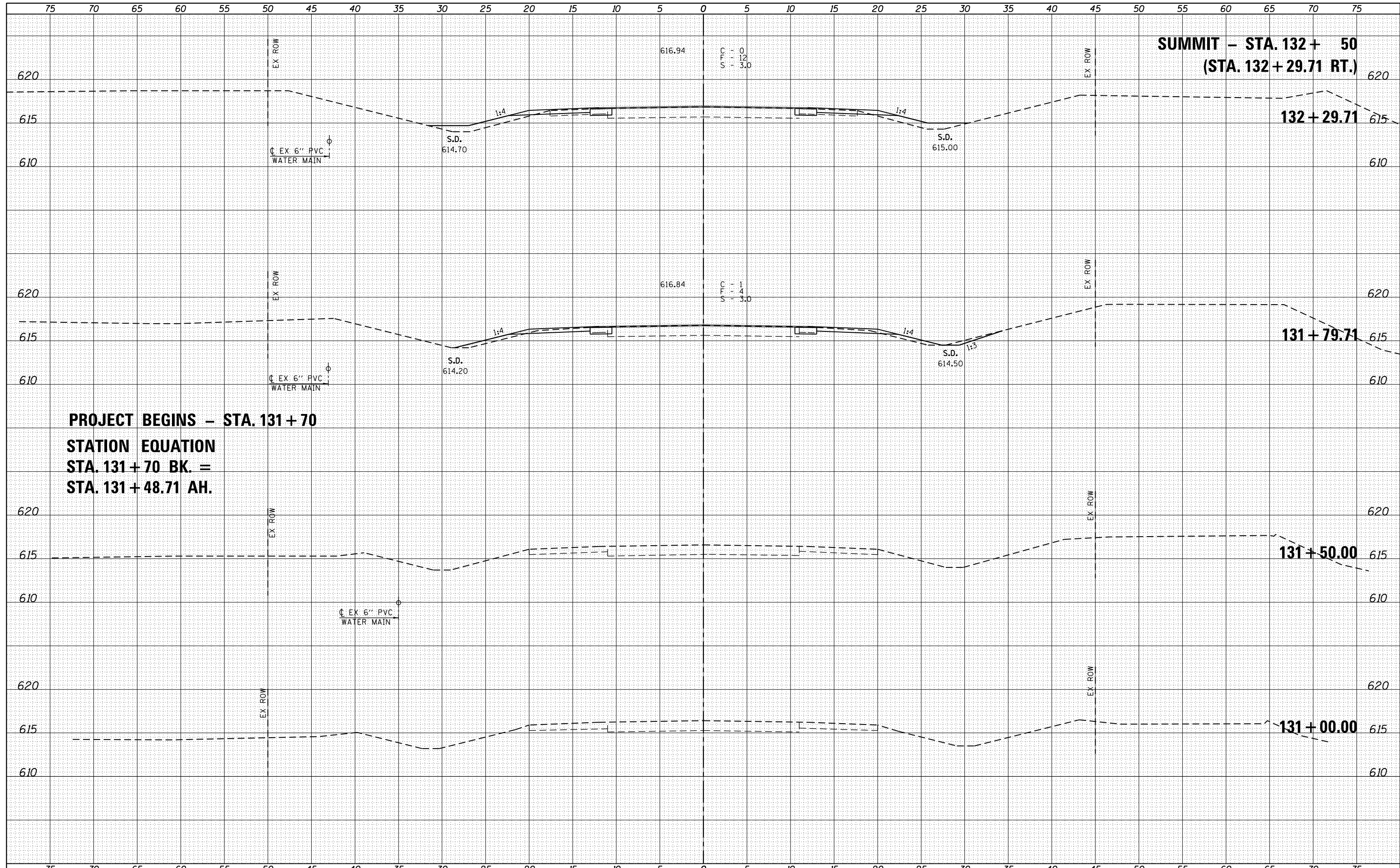
MB3
ATHENS BLACKTOP CLOSED 8 MILES AHEAD USE 123 TO PETERSBURG

MB4
ATHENS BLACKTOP CLOSED 5 MILES AHEAD USE 123 TO PETERSBURG

- 24X12 DETOUR
M4-8
- 48X24 DETOUR (Left Arrow)
W1-6 FLUORESCENT ORANGE

DATE	
BY	
FINAL SURVEY	SURVEYED
NOTE BOOK	PLOTTED
NO.	TEMPLATE
	AREAS CHECKED
	AREAS CHECKED

DATE	
BY	
ORIGINAL SURVEY	SURVEYED
NOTE BOOK	PLOTTED
NO.	TEMPLATE
	AREAS CHECKED
	AREAS CHECKED



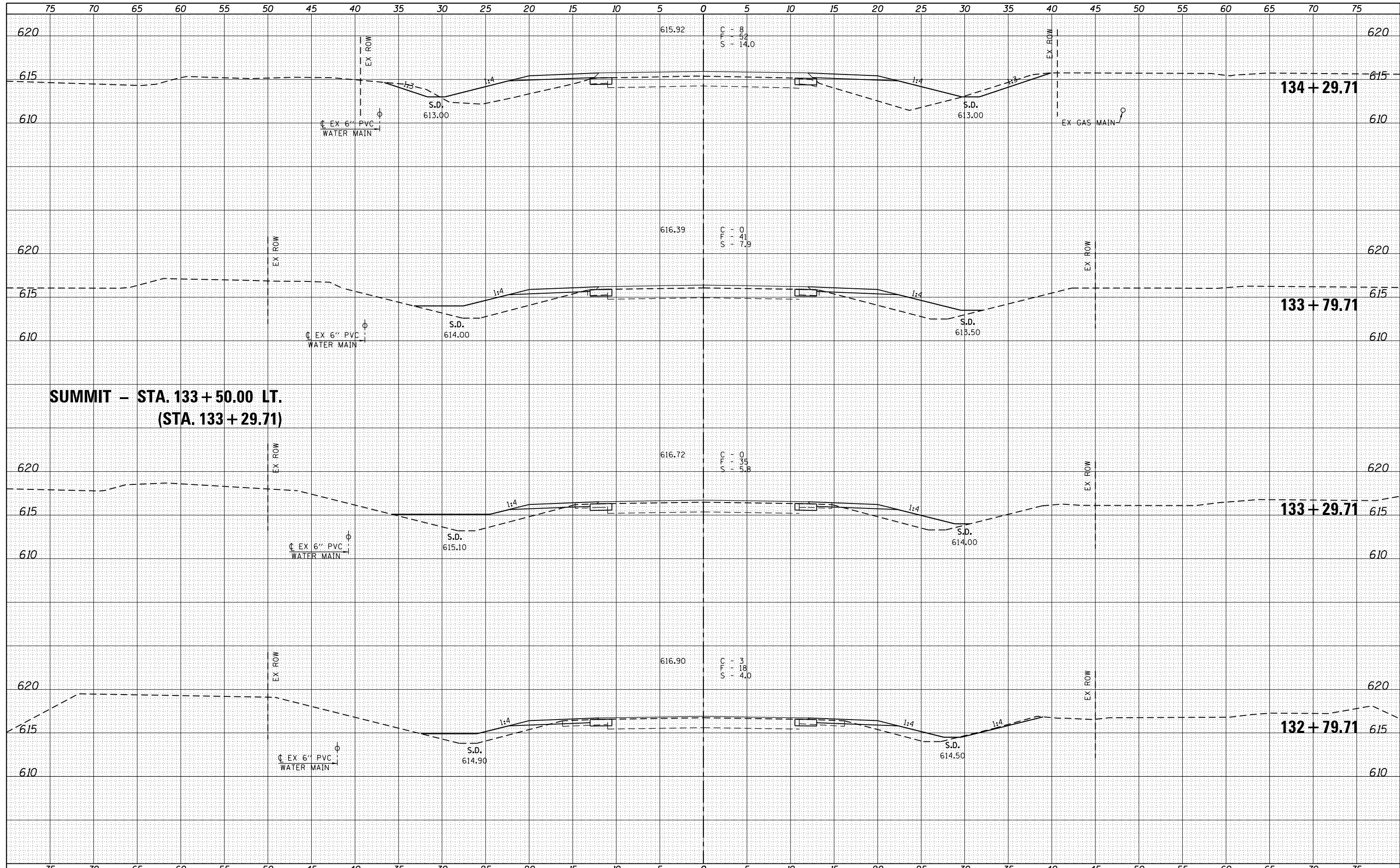
PROJECT BEGINS - STA. 131 + 70
STATION EQUATION
STA. 131 + 70 BK. =
STA. 131 + 48.71 AH.

SUMMIT - STA. 132 + 50
(STA. 132 + 29.71 RT.)

FILE NAME =	USER NAME = mfiouh	DESIGNED -	REVISIED -	<p>Veenstra & Kimm, Inc. Springfield, IL. Phone: (217)544-8033 IL. Design Firm No. 184-001939</p>	<p align="center">CROSS SECTIONS</p>			F.A.S. RTE.	SECTION	COUNTY	TOTAL SHEETS	SHEET NO.
Z:\2009 Jobs\LOCAL\Menard\09-023A C.H. 2 (Athens Blacktop) Phase 4 Segment D\CADD Sheets\09-023A-04-01.dwg	PLotted	REVISIED -	REVISIED -					574	20-00056-08-PV	MENARD	98	34
PLOT SCALE = 10.0000 ' / in.	CHECKED -	REVISIED -	REVISIED -		CONTRACT NO. 93775							
PLOT DATE = 7/26/2022	DATE -	REVISIED -	REVISIED -		SCALE: 1" = 5'			SHEET NO. 1 OF 65 SHEETS	STA. 131+00.00 TO STA. 132+50.00	FED. ROAD DIST. NO.	ILLINOIS FED. AID PROJECT	

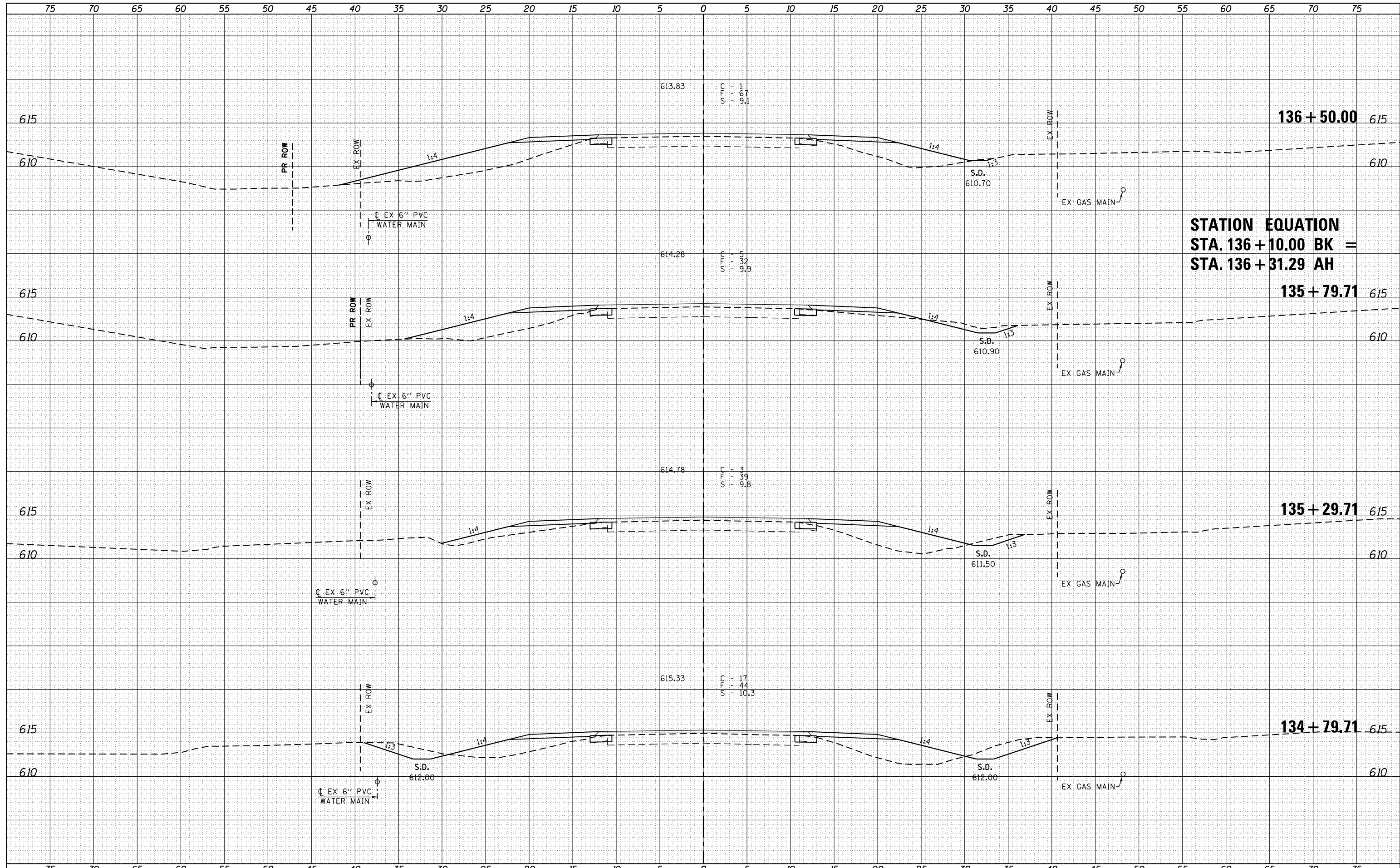
DATE	
BY	
FINAL SURVEY	SURVEYED
NOTE BOOK	PLOTTED
NO.	TEMPLATE
	AREAS CHECKED
	AREAS CHECKED

DATE	
BY	
ORIGINAL SURVEY	SURVEYED
NOTE BOOK	PLOTTED
NO.	TEMPLATE
	AREAS CHECKED
	AREAS CHECKED



DATE	
BY	
FINAL SURVEY	
SURVEYED	
PLOTTED	
TEMPLATE	
NOTE BOOK	
AREAS CHECKED	
NO.	

DATE	
BY	
ORIGINAL SURVEY	
SURVEYED	
PLOTTED	
TEMPLATE	
NOTE BOOK	
AREAS CHECKED	
NO.	

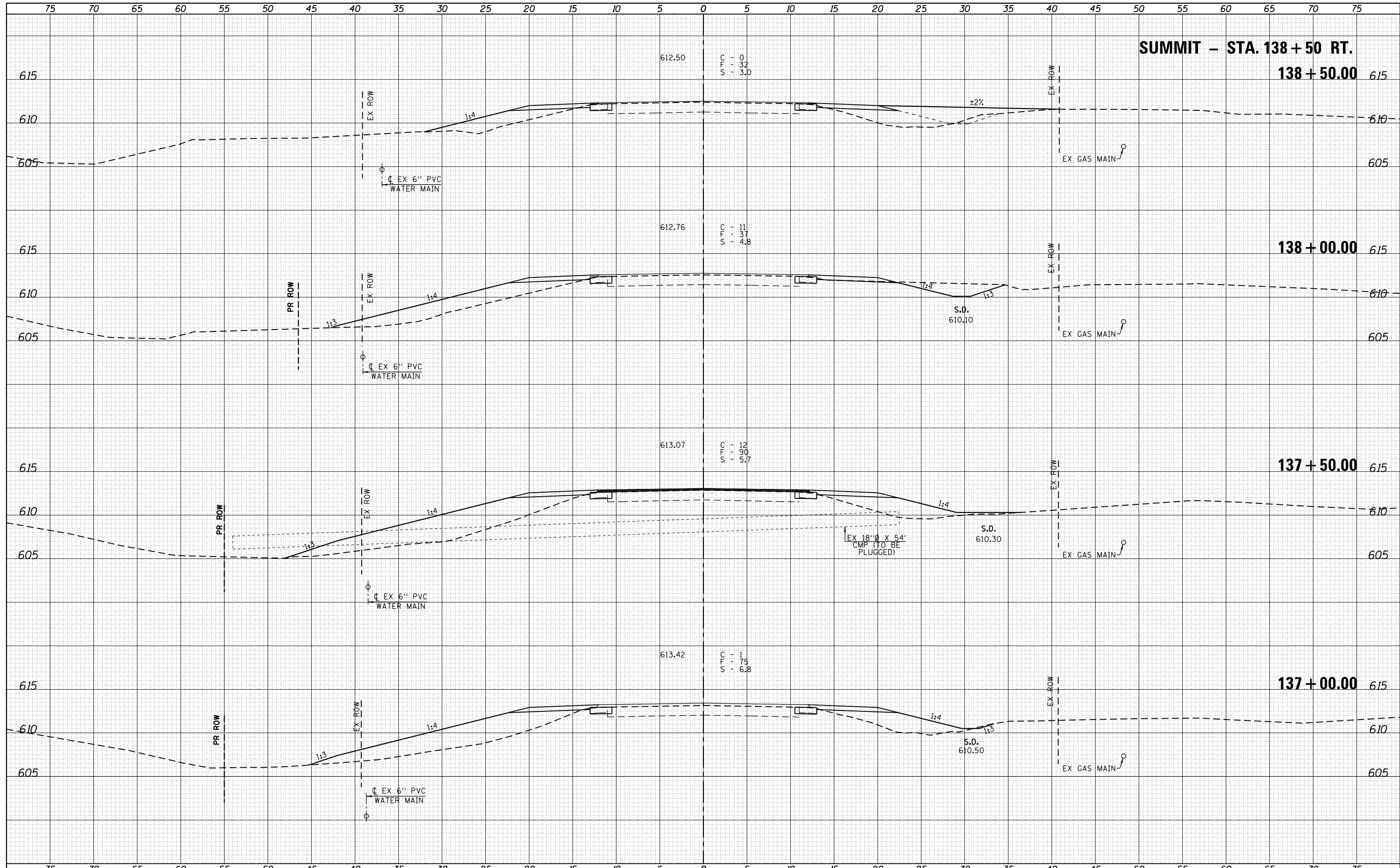


STATION EQUATION
STA. 136 + 10.00 BK =
STA. 136 + 31.29 AH

FILE NAME =	USER NAME = mfiash	DESIGNED -	REVISÉ -	<p>Veenstra & Kimm, Inc. Springfield, IL. Phone: (217)544-8033 IL. Design Firm No. 184-001939</p>	CROSS SECTIONS		F.A.S. RTE.	SECTION	COUNTY	TOTAL SHEETS	SHEET NO.
Z:\2009 Jobs\LOCAL\Menard\09-023A C.H. 2 (Athens Blacktop) Phase 4\Segment D\CADD Sheets\09-023A-04-01.dgn	PLotted	REVISÉ -	REVISÉ -		574	20-00056-08-PV	MENARD	98	36		
PLOT SCALE = 10.0000' / in.	CHECKED -	REVISÉ -	REVISÉ -		CONTRACT NO. 93775						
PLOT DATE = 7/26/2022	DATE -	REVISÉ -	REVISÉ -		FED. ROAD DIST. NO. ILLINOIS FED. AID PROJECT						
SCALE: 1" = 5'				SHEET NO. 3 OF 65 SHEETS		STA. 135+00.00 TO STA. 136+50.00					

DATE	
BY	
FINAL SURVEY	SURVEYED
NOTE BOOK	PLOTTED
NO.	TEMPLATE
	AREAS CHECKED

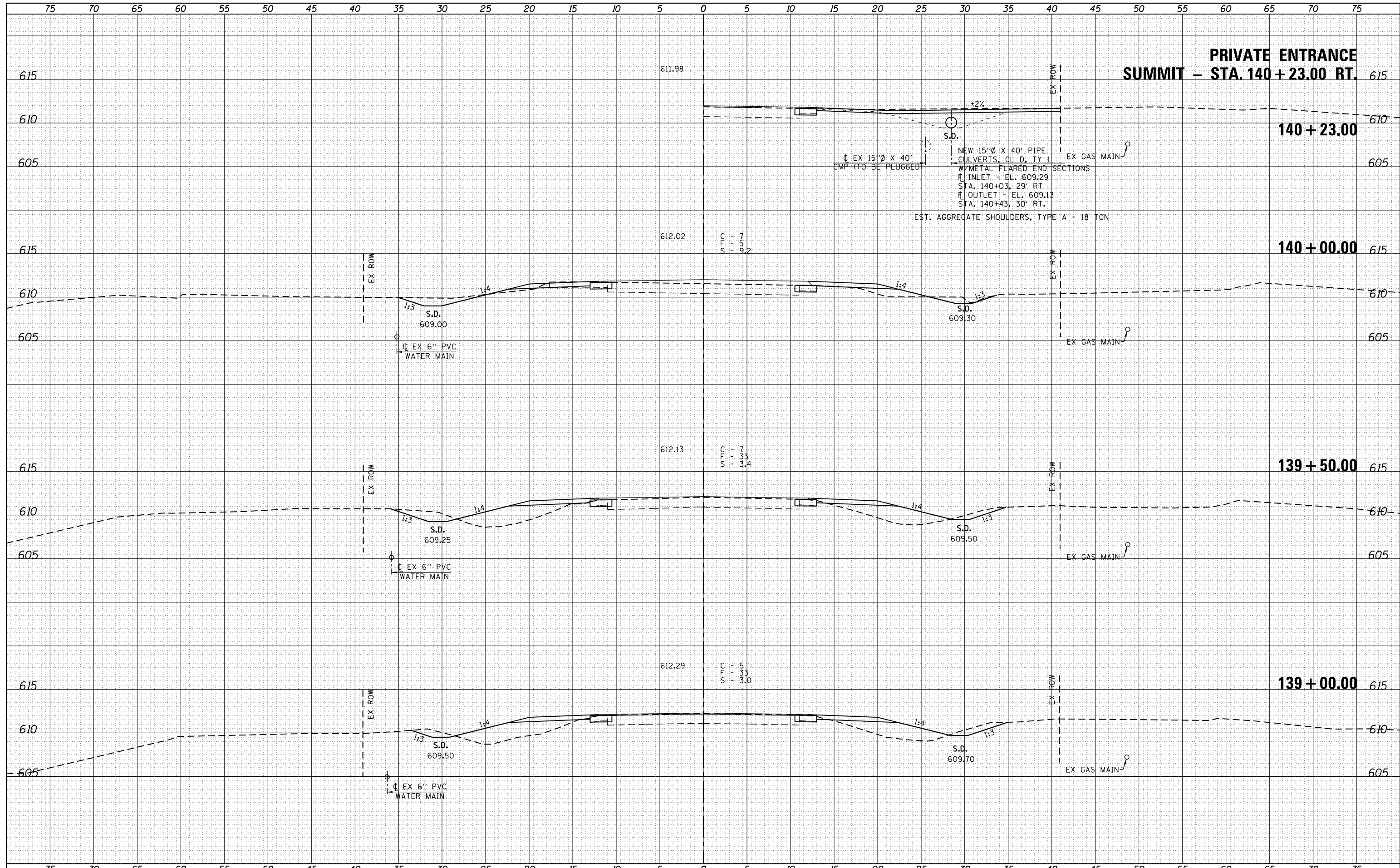
DATE	
BY	
ORIGINAL SURVEY	SURVEYED
NOTE BOOK	PLOTTED
NO.	TEMPLATE
	AREAS CHECKED



FILE NAME =	USER NAME = mfiash	DESIGNED -	REVISED -	Venstra & Kimm, Inc. Springfield, IL. Phone: (217)544-8033 IL. Design Firm No. 184-001939	CROSS SECTIONS SCALE: 1" = 5' SHEET NO. 4 OF 65 SHEETS STA. 137+00.00 TO STA. 138+50.00			F.A.S. RTE.	SECTION	COUNTY	TOTAL SHEETS	SHEET NO.
Z:\2009 Jobs\LOCAL\Menard\09-023A C.H. 2 (Athens Blacktop) Phase 4 Segment D\CADD Sheets\09-023A-04-01.dwg	DATE	CHECKED -	REVISED -					574	20-00056-08-PV	MENARD	98	37
PLOT SCALE = 10.0000' / in.	DATE	CHECKED -	REVISED -		CONTRACT NO. 93775							
PLOT DATE = 7/26/2022	DATE	CHECKED -	REVISED -		FED. ROAD DIST. NO. ILLINOIS FED. AID PROJECT							

DATE	
BY	
FINAL SURVEY	
PLOTTED	
TEMPLATE	
NOTE BOOK	
AREAS CHECKED	
NO.	

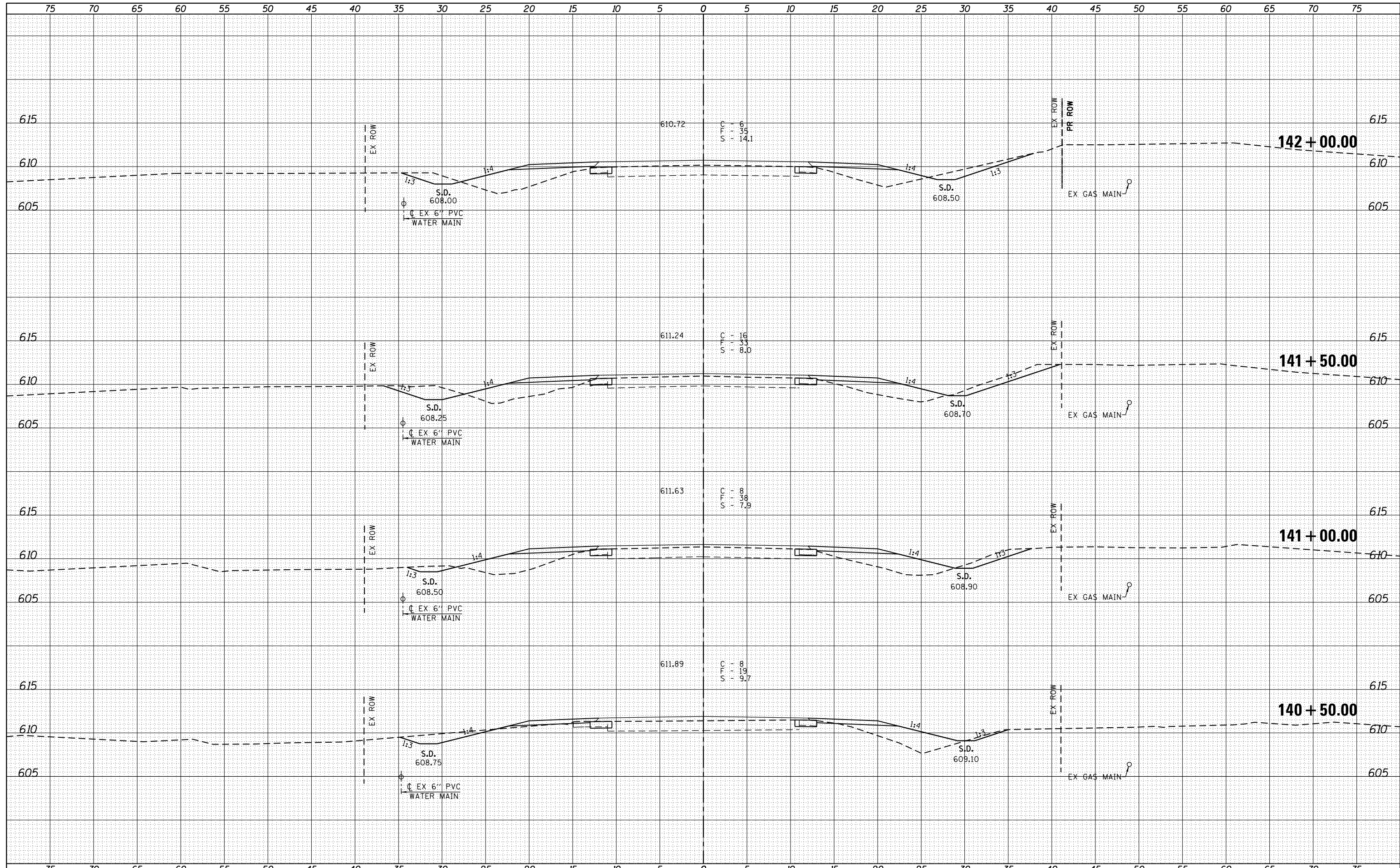
DATE	
BY	
ORIGINAL SURVEY	
PLOTTED	
TEMPLATE	
NOTE BOOK	
AREAS CHECKED	
NO.	



FILE NAME =	USER NAME = mfiash	DESIGNED -	REVISIED -	Veenstra & Kimm, Inc. Springfield, IL. Phone: (217)544-8033 IL. Design Firm No. 184-001939	CROSS SECTIONS SCALE: 1" = 5'		F.A.S. RTE.	SECTION	COUNTY	TOTAL SHEETS	SHEET NO.
Z:\2009 Jobs\LOCAL\Menard\09-023A C.H. 2 (Athens Blacktop) Phase 4\Segment D\CADD Sheets\09-023A-04-01.dgn	PLANNED	REVISIED -	574				20-00056-08-PV	MENARD	98	38	
PLOT SCALE = 10.0000' / in.	CHECKED -	REVISIED -	CONTRACT NO. 93775								
PLOT DATE = 7/26/2022	DATE -	REVISIED -	FED. ROAD DIST. NO. ILLINOIS FED. AID PROJECT								

DATE	
BY	
FINAL SURVEY	SURVEYED
NOTE BOOK	PLOTTED
NO.	TEMPLATE
	AREAS CHECKED

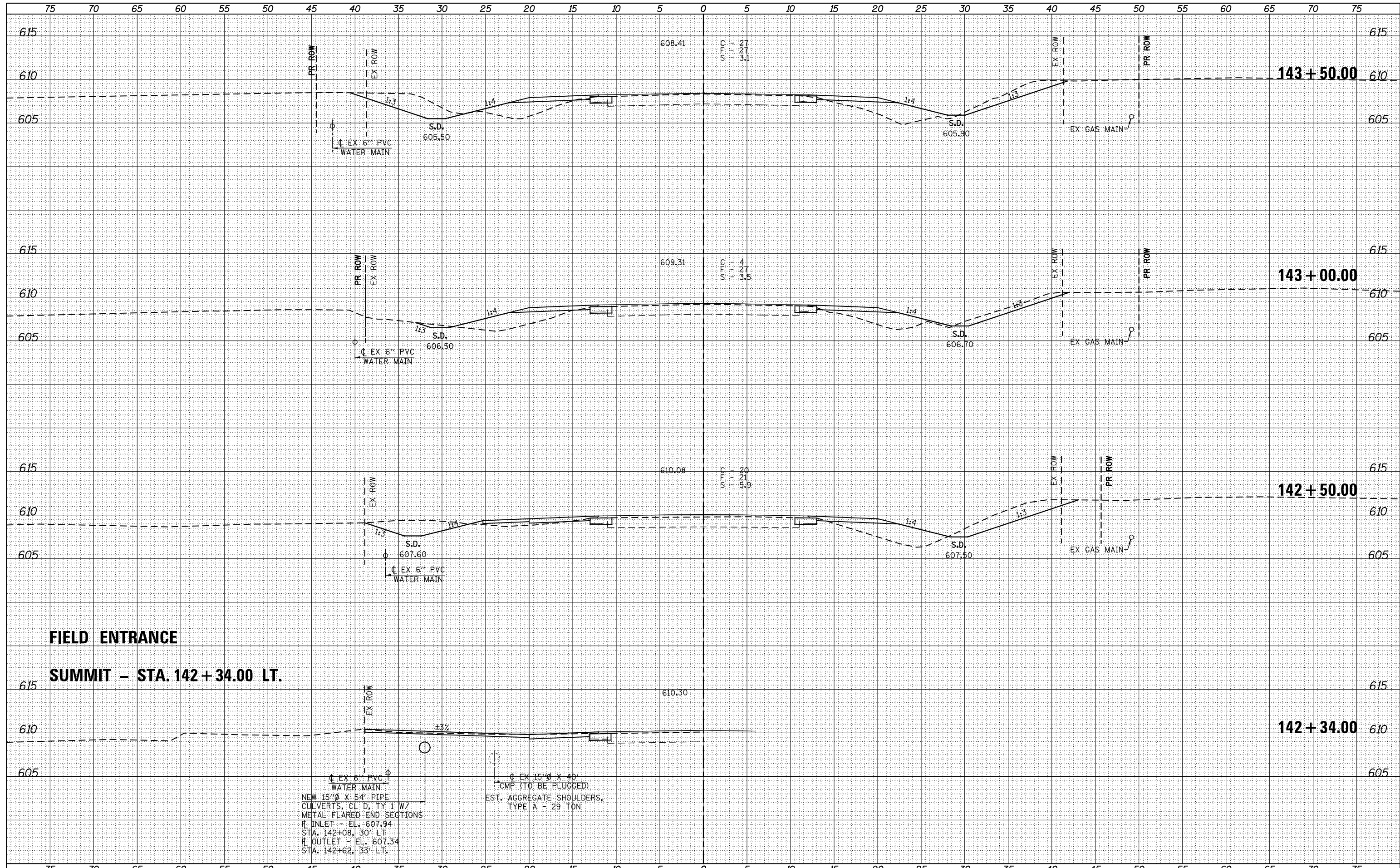
DATE	
BY	
ORIGINAL SURVEY	SURVEYED
NOTE BOOK	PLOTTED
NO.	TEMPLATE
	AREAS CHECKED



FILE NAME =	USER NAME = mfiash	DESIGNED -	REVISED -	Venstra & Kimm, Inc. Springfield, IL. Phone: (217)544-8033 IL. Design Firm No. 184-001939	CROSS SECTIONS SCALE: 1" = 5' SHEET NO. 6 OF 65 SHEETS STA. 140+50.00 TO STA. 142+00.00			F.A.S. RTE.	SECTION	COUNTY	TOTAL SHEETS	SHEET NO.
Z:\2009 Jobs\LOCAL\Menard\09-023A C.H. 2 (Athens Blacktop) Phase 4\Segment D\CADD Sheets\09-023A-04-01.dwg	DATE	CHECKED -	REVISED -					574	20-00056-08-PV	MENARD	98	39
PLOT SCALE = 10.0000" / in.	DATE	CHECKED -	REVISED -		CONTRACT NO. 93775							
PLOT DATE = 7/26/2022	DATE	CHECKED -	REVISED -		FED. ROAD DIST. NO. ILLINOIS FED. AID PROJECT							

DATE	
BY	
FINAL SURVEY	SURVEYED
NOTE BOOK	PLOTTED
NO.	TEMPLATE
	AREAS CHECKED

DATE	
BY	
ORIGINAL SURVEY	SURVEYED
NOTE BOOK	PLOTTED
NO.	TEMPLATE
	AREAS CHECKED



FIELD ENTRANCE
SUMMIT - STA. 142 + 34.00 LT.

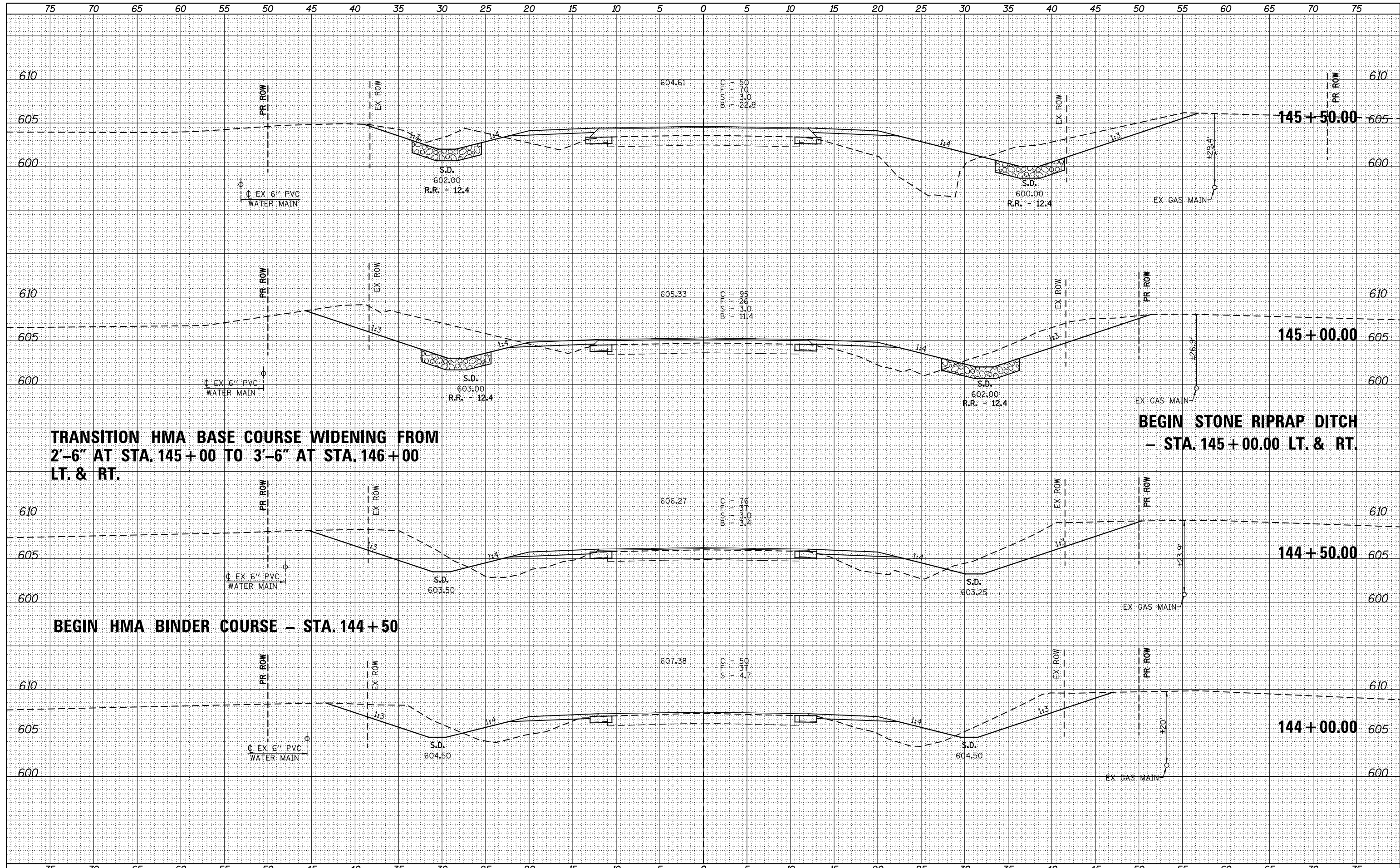
NEW 15" Ø X 54' PIPE
 CULVERTS, CL. D, TY. 1 W/
 METAL FLARED END SECTIONS
 # INLET - EL. 607.94
 STA. 142+08, 30' LT.
 # OUTLET - EL. 607.34
 STA. 142+62, 33' LT.

EX. 15" Ø X 40'
 CMP. (TO BE PLUGGED)
 EST. AGGREGATE SHOULDERS,
 TYPE A - 29 TON

FILE NAME =	USER NAME = #USER*	DESIGNED -	REVISED -	Veenstra & Kimm, Inc. Springfield, IL. Phone: (217)544-8033 IL. Design Firm No. 184-001939	CROSS SECTIONS		F.A.S. RTE.	SECTION	COUNTY	TOTAL SHEETS	SHEET NO.
Z:\2009 Jobs\LOCAL\Menard\09-023A C.H. 2 (Athens Blacktop) Phase 4\Segment D\CADD Sheets\09-023A-04-07.dwg		DRAWN			574	20-00056-08-PV	MENARD	98	40		
PLOT SCALE = #SCALE*		CHECKED -	REVISED -		CONTRACT NO. 93775						
PLOT DATE = 8/9/2022		DATE -	REVISED -		FED. ROAD DIST. NO. [ILLINOIS] FED. AID PROJECT						
SCALE: 1" = 5'				SHEET NO. 7 OF 65 SHEETS		STA. 142+33.81 TO STA. 143+50.00					

DATE	
BY	
FINAL SURVEY	SURVEYED
NOTE BOOK	PLOTTED
NO.	TEMPLATE
	AREAS CHECKED

DATE	
BY	
ORIGINAL SURVEY	SURVEYED
NOTE BOOK	PLOTTED
NO.	TEMPLATE
	AREAS CHECKED



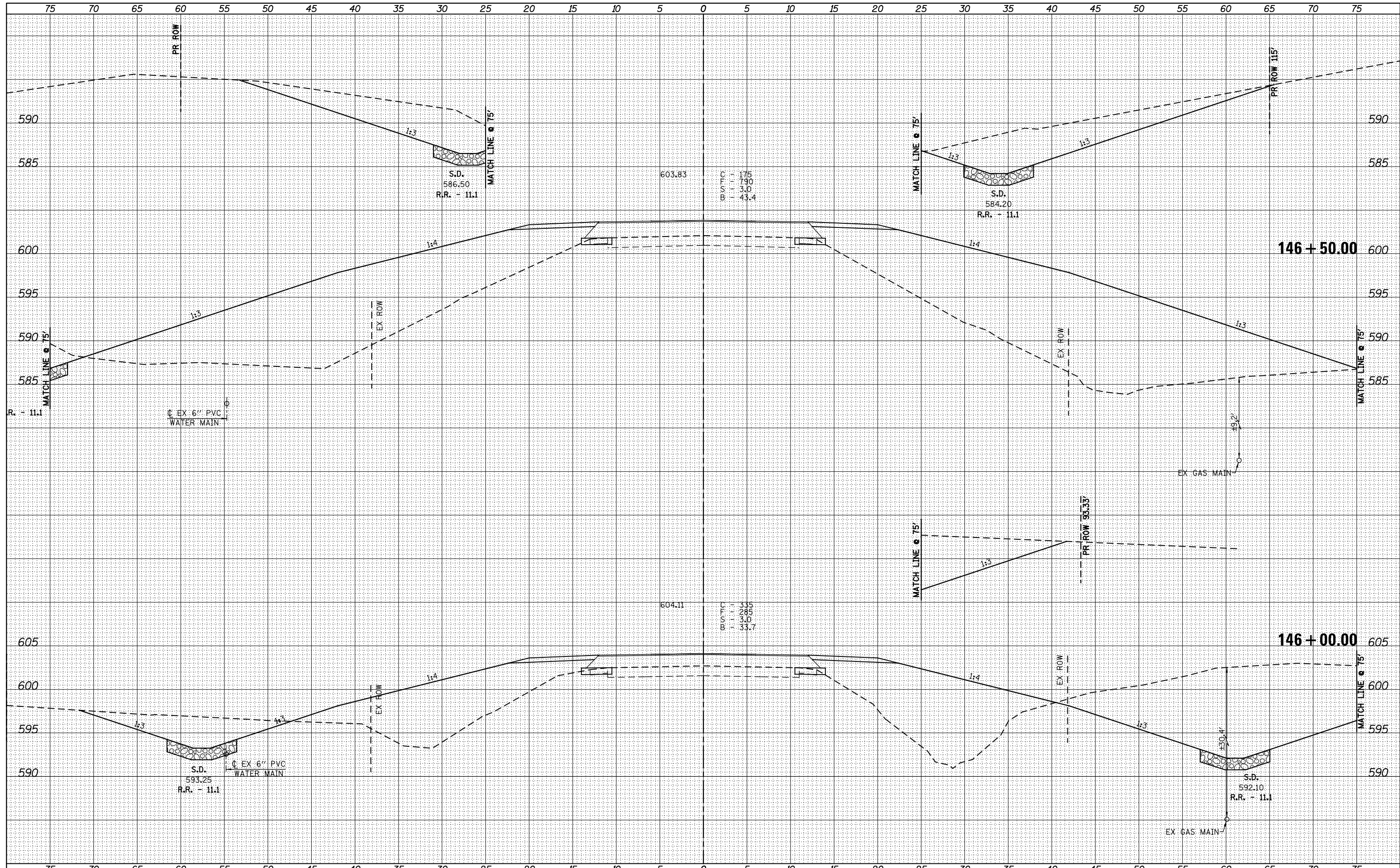
TRANSITION HMA BASE COURSE WIDENING FROM 2'-6" AT STA. 145+00 TO 3'-6" AT STA. 146+00 LT. & RT.

BEGIN STONE RIPRAP DITCH - STA. 145+00.00 LT. & RT.

BEGIN HMA BINDER COURSE - STA. 144+50

DATE	
BY	
FINAL SURVEY	SURVEYED
NOTE BOOK	PLOTTED
NO.	TEMPLATE
	AREAS CHECKED

DATE	
BY	
ORIGINAL SURVEY	SURVEYED
NOTE BOOK	PLOTTED
NO.	TEMPLATE
	AREAS CHECKED



FILE NAME =	USER NAME = #USER#	DESIGNED -	REVISED -	F.A.S. RTE.	SECTION	COUNTY	TOTAL SHEETS	SHEET NO.
Z:\2009 Jobs\LOCAL\Menard\09-023A C.H. 2 (Athens Blacktop) Phase 4\Segment D\CADD Sheets\09-023A-Sht-xsc2.dgn		DRAWN		574	20-00056-08-PV	MENARD	98	42
PLOT SCALE = #SCALE#	CHECKED -	REVISED -	REVISED -	CONTRACT NO. 93775				
PLOT DATE = 8/9/2022	DATE -	REVISED -	REVISED -	FED. ROAD DIST. NO. [ILLINOIS] FED. AID PROJECT				



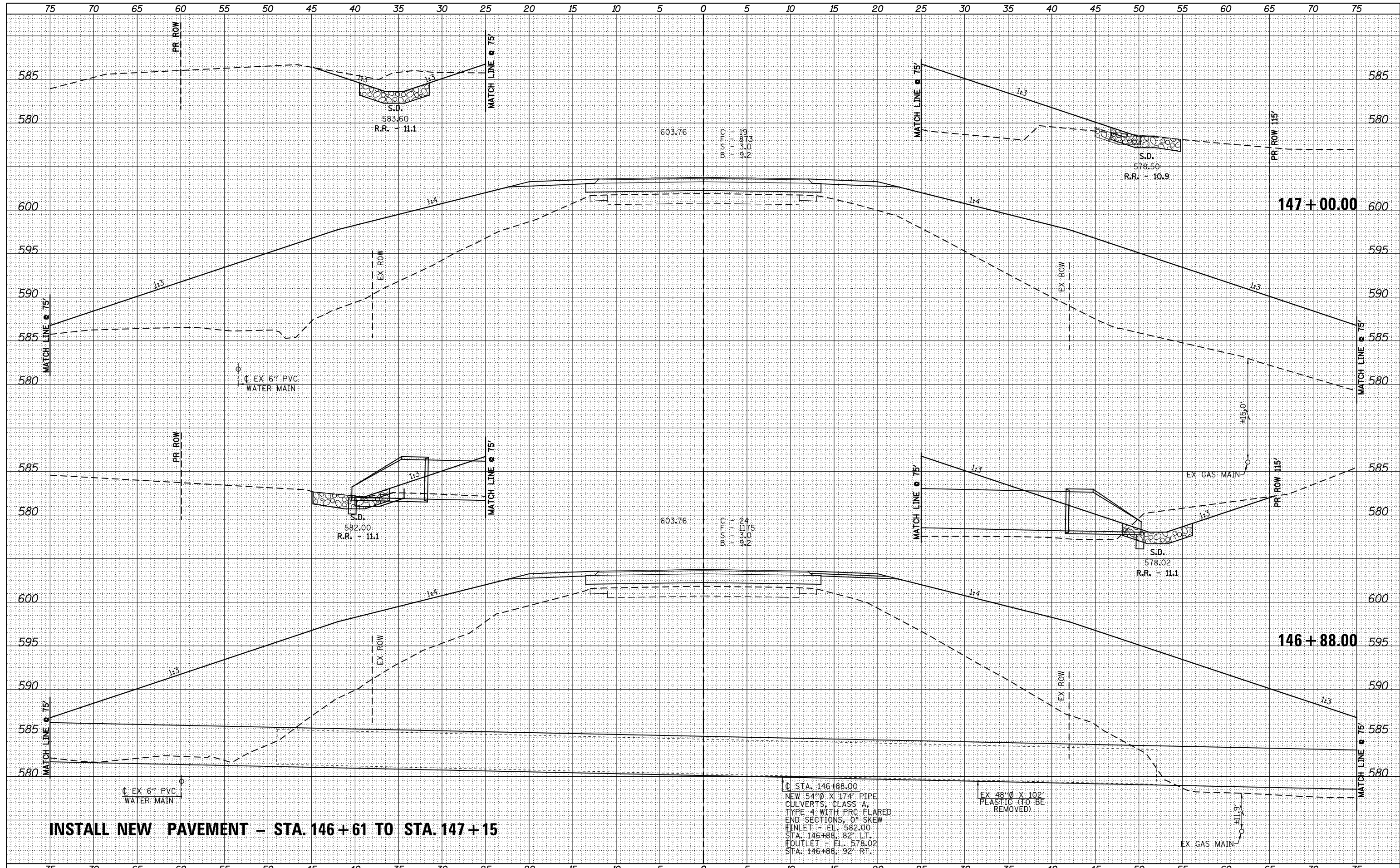
Veenstra & Kimm, Inc.
 Springfield, IL. Phone: (217)544-8033
 IL. Design Firm No. 184-001939

CROSS SECTIONS

SCALE: 1" = 5' SHEET NO. 9 OF 65 SHEETS STA. 146+00.00 TO STA. 146+50.00

DATE	
BY	
FINAL SURVEY	SURVEYED
NOTE BOOK	PLOTTED
NO.	TEMPLATE
	AREAS CHECKED
	AREAS CHECKED

DATE	
BY	
ORIGINAL SURVEY	SURVEYED
NOTE BOOK	PLOTTED
NO.	TEMPLATE
	AREAS CHECKED
	AREAS CHECKED



INSTALL NEW PAVEMENT - STA. 146+61 TO STA. 147+15

STA. 146+88.00
 NEW 54"Ø X 174' PIPE
 CULVERTS: CLASS A,
 TYPE 4 WITH PRC FLARED
 END SECTIONS, 0° SKEW
 INLET - EL. 582.00
 STA. 146+88.82' LT.
 OUTLET - EL. 578.02
 STA. 146+88.92' RT.

EX 48"Ø X 102' PLASTIC (TO BE REMOVED)

FILE NAME =	USER NAME = #USER#	DESIGNED -	REVISÉD -	F.A.S. RTE.	SECTION	COUNTY	TOTAL SHEETS	SHEET NO.
Z:\2009 Jobs\LOCAL\Menard\09-023A C.H. 2 (Athens Blacktop) Phase 4\Segment D\CADD Sheets\09-023A-04-01.dgn		DRAWN		574	20-00056-08-PV	MENARD	98	43
PLOT SCALE = #SCALE#	CHECKED -	REVISÉD -		CONTRACT NO. 93775				
PLOT DATE = 8/9/2022	DATE -	REVISÉD -		FED. ROAD DIST. NO. [ILLINOIS] FED. AID PROJECT				

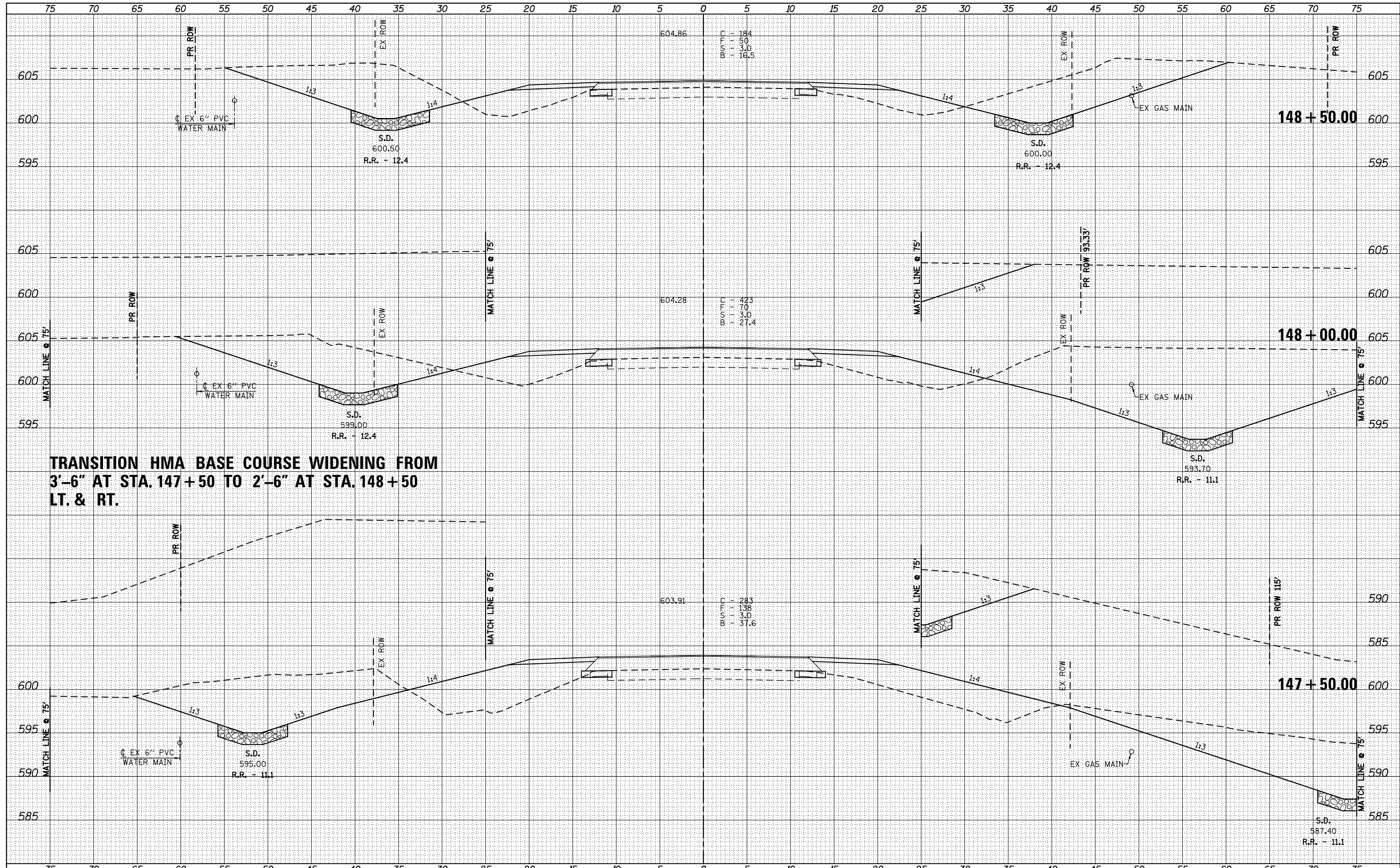


Veenstra & Kimm, Inc.
 Springfield, IL. Phone: (217)544-8033
 IL. Design Firm No. 184-001939

SCALE: 1" = 5'	SHEET NO. 10 OF 65 SHEETS	STA. 146+83.69 TO STA. 147+00.00
----------------	---------------------------	----------------------------------

DATE	
BY	
FINAL SURVEY	SURVEYED
NOTE BOOK	PLOTTED
NO.	TEMPLATE
	AREAS CHECKED

DATE	
BY	
ORIGINAL SURVEY	SURVEYED
NOTE BOOK	PLOTTED
NO.	TEMPLATE
	AREAS CHECKED

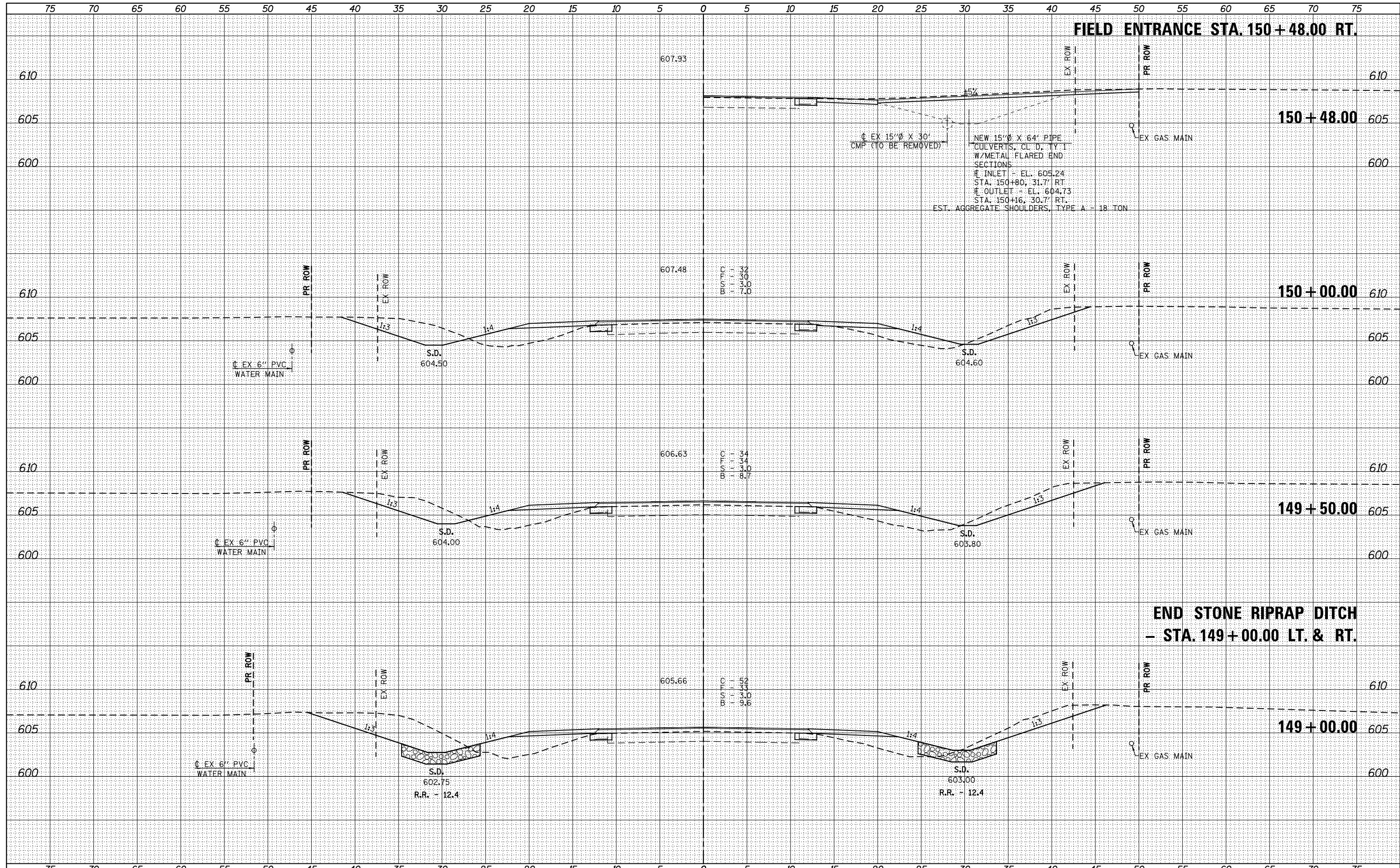


TRANSITION HMA BASE COURSE WIDENING FROM 3'-6" AT STA. 147+50 TO 2'-6" AT STA. 148+50 LT. & RT.

FILE NAME =	USER NAME = #USER#	DESIGNED -	REVISED -	<p>Veenstra & Kimm, Inc. Springfield, IL. Phone: (217)544-8033 IL. Design Firm No. 184-001939</p>	<p align="center">CROSS SECTIONS</p>			F.A.S. RTE.	SECTION	COUNTY	TOTAL SHEETS	SHEET NO.
Z:\2009 Jobs\LOCAL\Menard\09-023A C.H. 2 (Athens Blacktop) Phase 4\Segment D\CADD Sheets\09-023A-04-01.dwg	PLotted	REVISEd -	REVISEd -					574	20-00056-08-PV	MENARD	98	44
PLOT SCALE = #SCALE#	CHECKED -	REVISEd -	REVISEd -		CONTRACT NO. 93775							
PLOT DATE = 8/9/2022	DATE -	REVISEd -	REVISEd -		FED. ROAD DIST. NO. [ILLINOIS] FED. AID PROJECT							

DATE	
BY	
FINAL SURVEY	SURVEYED
NOTE BOOK	PLOTTED
NO.	TEMPLATE
	AREAS CHECKED

DATE	
BY	
ORIGINAL SURVEY	SURVEYED
NOTE BOOK	PLOTTED
NO.	TEMPLATE
	AREAS CHECKED



FIELD ENTRANCE STA. 150+48.00 RT.

150+48.00

150+00.00

149+50.00

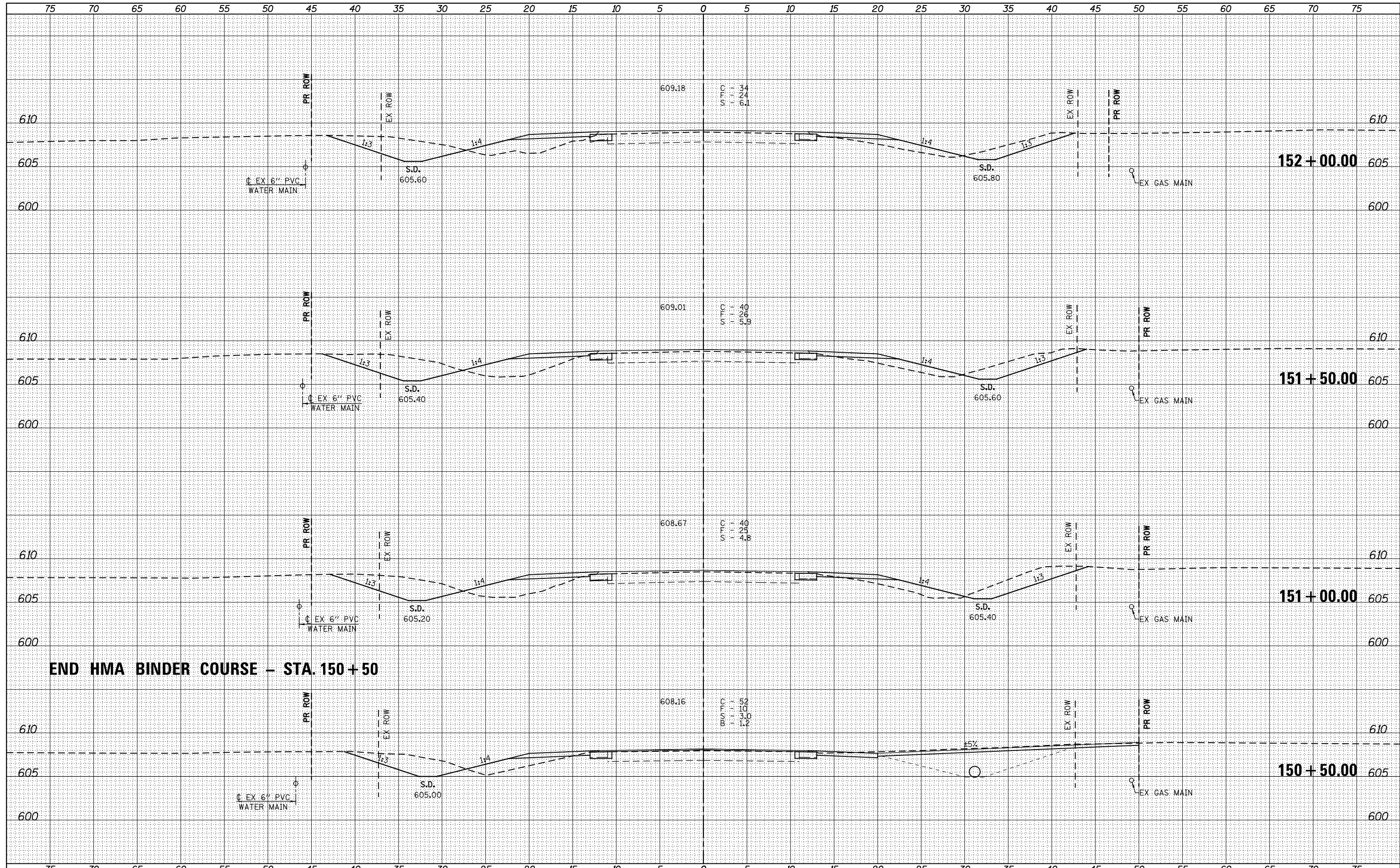
149+00.00

**END STONE RIPRAP DITCH
- STA. 149+00.00 LT. & RT.**

FILE NAME =	USER NAME = #USER#	DESIGNED -	REVISED -	<p>Veenstra & Kimm, Inc. Springfield, IL. Phone: (217)544-8033 IL. Design Firm No. 184-001939</p>	<p align="center">CROSS SECTIONS</p>		F.A.S. RTE.	SECTION	COUNTY	TOTAL SHEETS	SHEET NO.
Z:\2009 Jobs\LOCAL\Menard\09-023A C.H. 2 (Athens Blacktop) Phase 4\Segment D\CADD Sheets\09-023A-04.dgn		DRAWN			SCALE: 1" = 5'	SHEET NO. 12 OF 65 SHEETS	574	20-00056-08-PV	MENARD	98	45
PLOT SCALE = #SCALE#		CHECKED -			STA. 148+50.00 TO STA. 149+50.00		CONTRACT NO. 93775				
PLOT DATE = 8/9/2022		DATE -			FED. ROAD DIST. NO. _ ILLINOIS FED. AID PROJECT						

DATE	
BY	
FINAL SURVEY	SURVEYED
NOTE BOOK	PLOTTED
NO.	TEMPLATE
	AREAS CHECKED

DATE	
BY	
ORIGINAL SURVEY	SURVEYED
NOTE BOOK	PLOTTED
NO.	TEMPLATE
	AREAS CHECKED

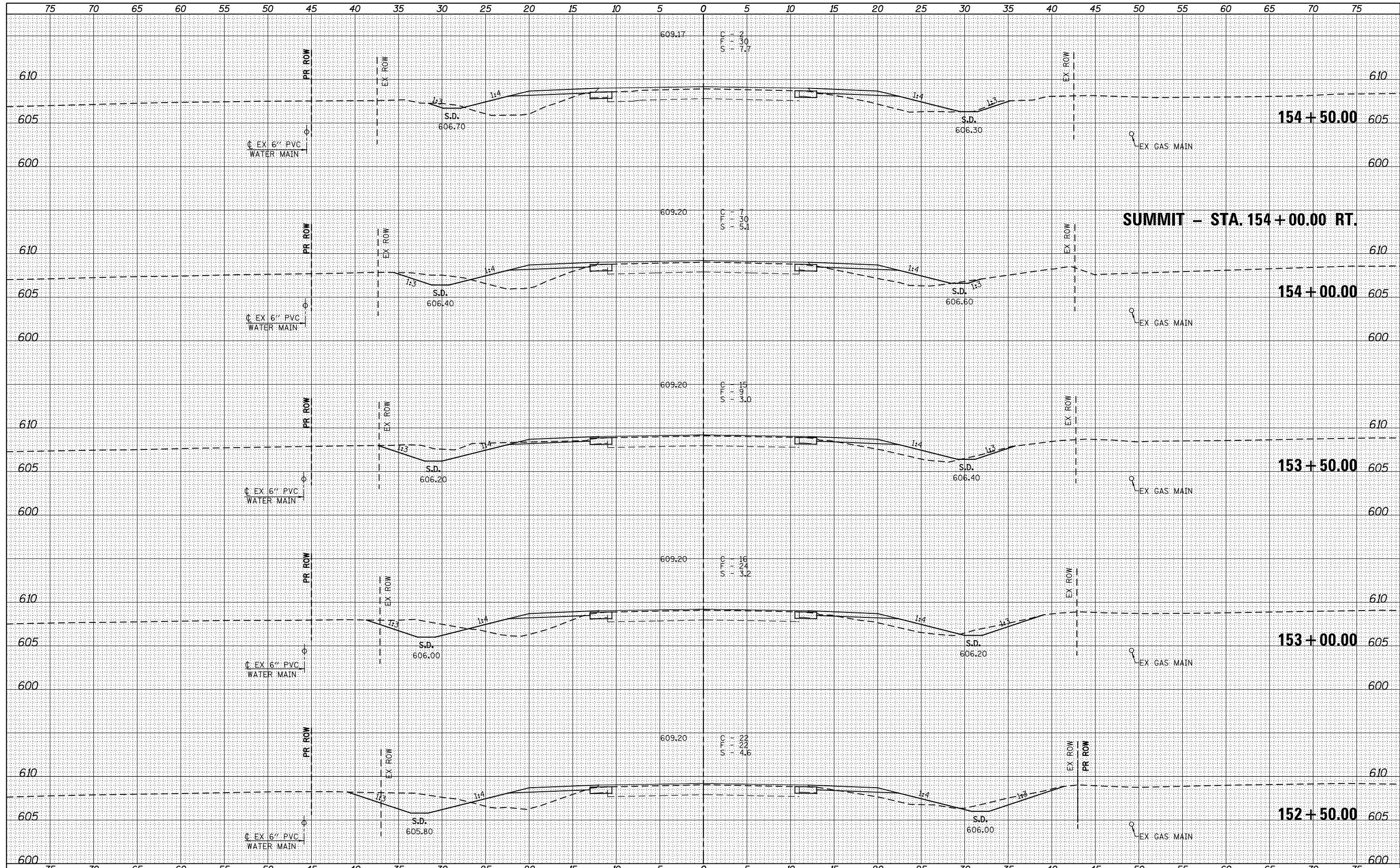


END HMA BINDER COURSE - STA. 150 + 50

FILE NAME =	USER NAME = #USER*	DESIGNED -	REVISED -	Veenstra & Kimm, Inc. Springfield, IL. Phone: (217)544-8033 IL. Design Firm No. 184-001939	CROSS SECTIONS SCALE: 1" = 5' SHEET NO. 13 OF 65 SHEETS STA. 150+00.00 TO STA. 151+00.00		F.A.S. RTE.	SECTION	COUNTY	TOTAL SHEETS	SHEET NO.
Z:\2009 Jobs\LOCAL\Menard\09-023A C.H. 2 (Athens Blacktop) Phase 4\Segment D\CADD Sheets\09-023A-13.dgn	DRAWN	REVISOR	REVISION				574	20-00056-08-PV	MENARD	98	46
PLOT SCALE = #SCALE*	CHECKED -	REVISOR	REVISION		CONTRACT NO. 93775						
PLOT DATE = 8/9/2022	DATE -	REVISOR	REVISION		FED. ROAD DIST. NO. _ ILLINOIS FED. AID PROJECT						

DATE	
BY	
FINAL SURVEY	SURVEYED
NOTE BOOK	PLOTTED
NO.	TEMPLATE
	AREAS CHECKED

DATE	
BY	
ORIGINAL SURVEY	SURVEYED
NOTE BOOK	PLOTTED
NO.	TEMPLATE
	AREAS CHECKED



SUMMIT - STA. 154 + 00.00 RT.

FILE NAME =	USER NAME = #USER#	DESIGNED -	REVISED -	F.A.S. RTE.	SECTION	COUNTY	TOTAL SHEETS	SHEET NO.
Z:\2009 Jobs\LOCAL\Menard\09-023A C.H. 2 (Athens Blacktop) Phase 4\Segment D\CADD Sheets\09-023A-04-01.dgn		DRAWN		574	20-00056-08-PV	MENARD	98	47
PLOT SCALE = #SCALE#	CHECKED -	REVISIED -	REVISIED -	CONTRACT NO. 93775				
PLOT DATE = 8/9/2022	DATE -	REVISIED -	REVISIED -	FED. ROAD DIST. NO. [ILLINOIS] FED. AID PROJECT				



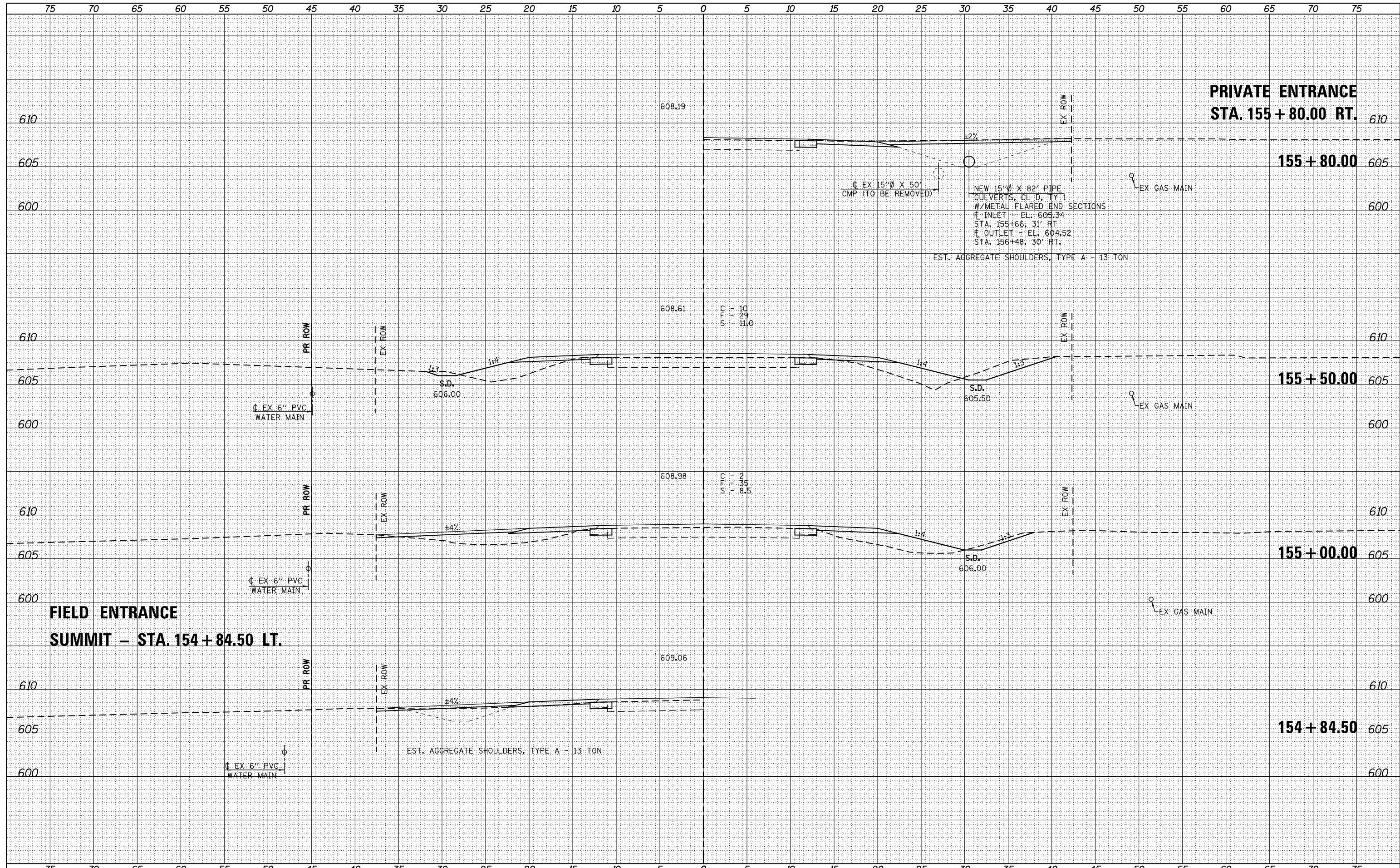
Veenstra & Kimm, Inc.
 Springfield, IL. Phone: (217)544-8033
 IL. Design Firm No. 184-001939

CROSS SECTIONS

SCALE: 1" = 5' SHEET NO. 14 OF 65 SHEETS STA. 151+50.00 TO STA. 153+50.00

DATE	
BY	
FINAL SURVEY	SURVEYED
NOTE BOOK	PLOTTED
NO.	TEMPLATE
	AREAS CHECKED

DATE	
BY	
ORIGINAL SURVEY	SURVEYED
NOTE BOOK	PLOTTED
NO.	TEMPLATE
	AREAS CHECKED



FILE NAME = Z:\2009\Jobs\LOCAL\Menard\09-023A C.H. 2 (Athens Blacktop) Phase 4\Segment D\CADD Sheets\09-023A-04-01.dgn	USER NAME = #USER#	DESIGNED -	REVISOR -	F.A.S. RTE. 574	SECTION 20-00056-08-PV	COUNTY MENARD	TOTAL SHEETS 98	SHEET NO. 48
PLOT SCALE = #SCALE#	CHECKED -	REVISOR -	REVISOR -	CONTRACT NO. 93775				
PLOT DATE = 8/9/2022	DATE -	REVISOR -	REVISOR -	FED. ROAD DIST. NO. [ILLINOIS] FED. AID PROJECT				



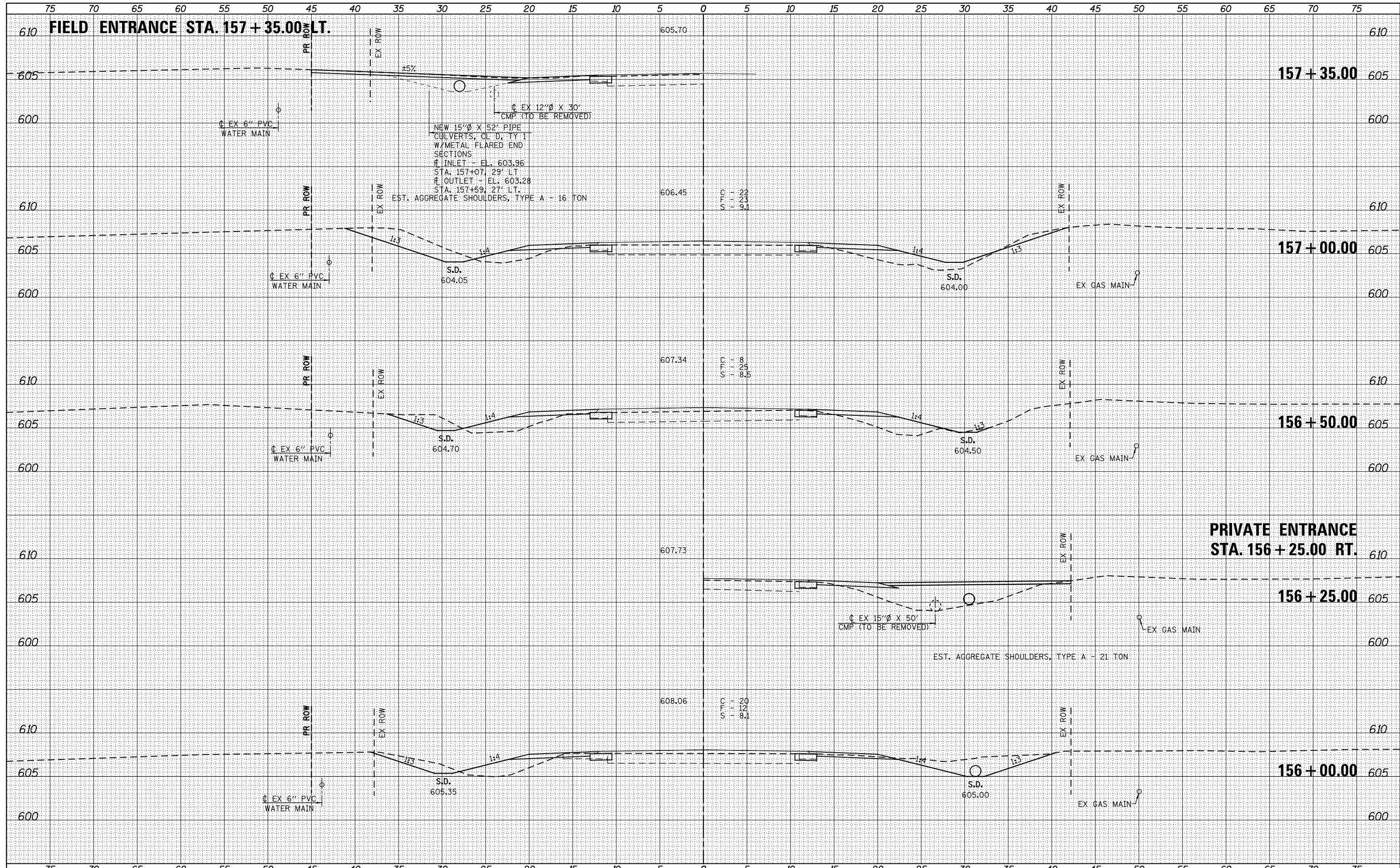
Veenstra & Kimm, Inc.
 Springfield, IL. Phone: (217)544-8033
 IL. Design Firm No. 184-001939

CROSS SECTIONS

SCALE: 1" = 5' SHEET NO. 15 OF 65 SHEETS STA. 154+00.00 TO STA. 155+50.00

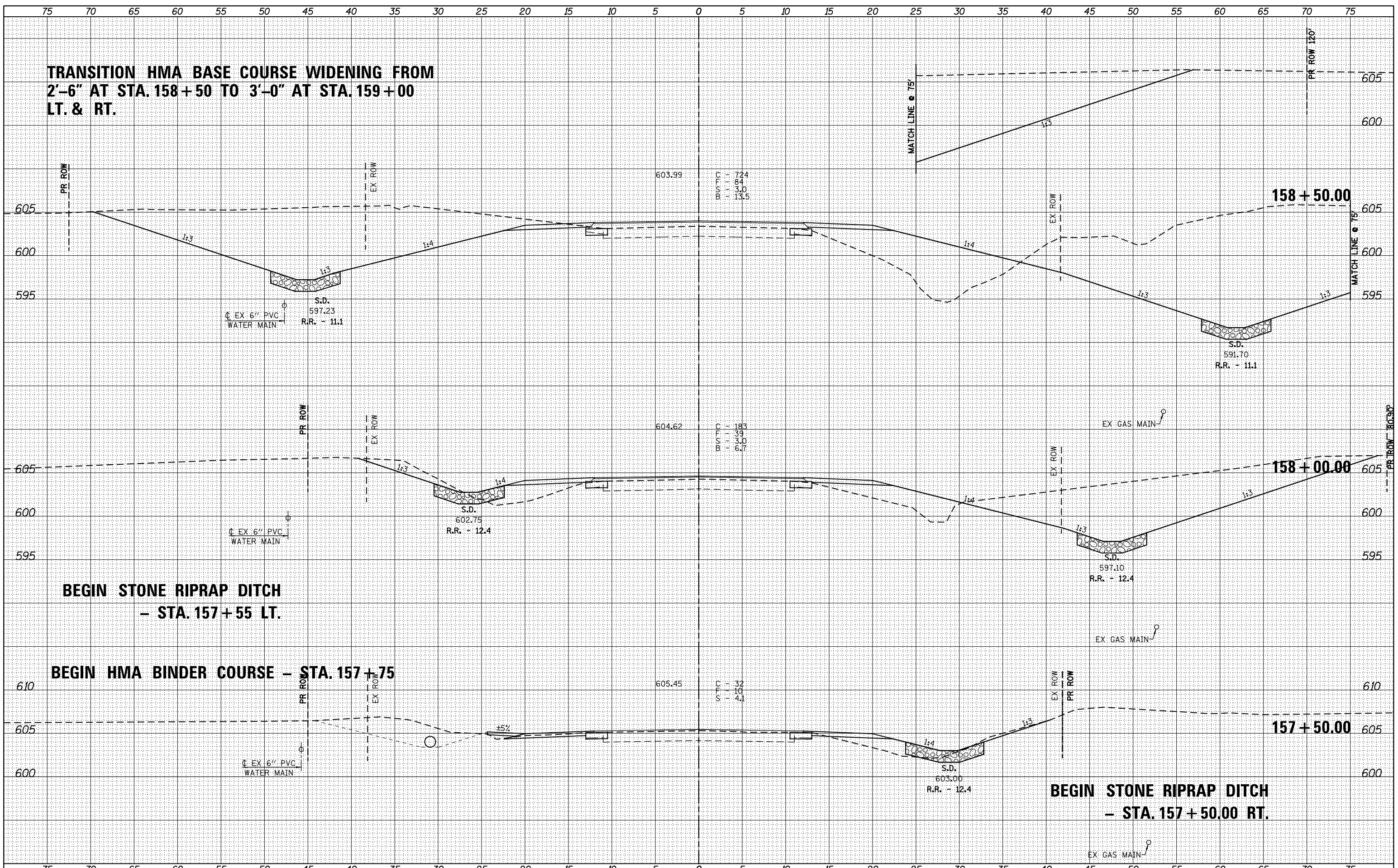
DATE	
BY	
FINAL SURVEY	
SURVEYED	
PLOTTED	
TEMPLATE	
NOTE BOOK	
AREAS CHECKED	
NO.	

DATE	
BY	
ORIGINAL SURVEY	
SURVEYED	
PLOTTED	
TEMPLATE	
NOTE BOOK	
AREAS CHECKED	
NO.	



FILE NAME =	USER NAME = #USER#	DESIGNED -	REVISED -	Veenstra & Kimm, Inc. Springfield, IL. Phone: (217)544-8033 IL. Design Firm No. 184-001939	CROSS SECTIONS		F.A.S. RTE.	SECTION	COUNTY	TOTAL SHEETS	SHEET NO.	
Z:\2009 Jobs\LOCAL\Menard\09-023A C.H. 2 (Athens Blacktop) Phase 4\Segment D\CADD Sheets\09-023A-04-01-01.dgn		DRAWN			SCALE: 1" = 5'	SHEET NO. 16 OF 65 SHEETS	STA. 155+77.81 TO STA. 157+36.81	574	20-00056-08-PV	MENARD	98	49
PLOT SCALE = #SCALE#		CHECKED -	REVISED -		CONTRACT NO. 93775		FED. ROAD DIST. NO. [ILLINOIS] FED. AID PROJECT					
PLOT DATE = 8/9/2022		DATE -	REVISED -									

**TRANSITION HMA BASE COURSE WIDENING FROM
2'-6" AT STA. 158+50 TO 3'-0" AT STA. 159+00
LT. & RT.**

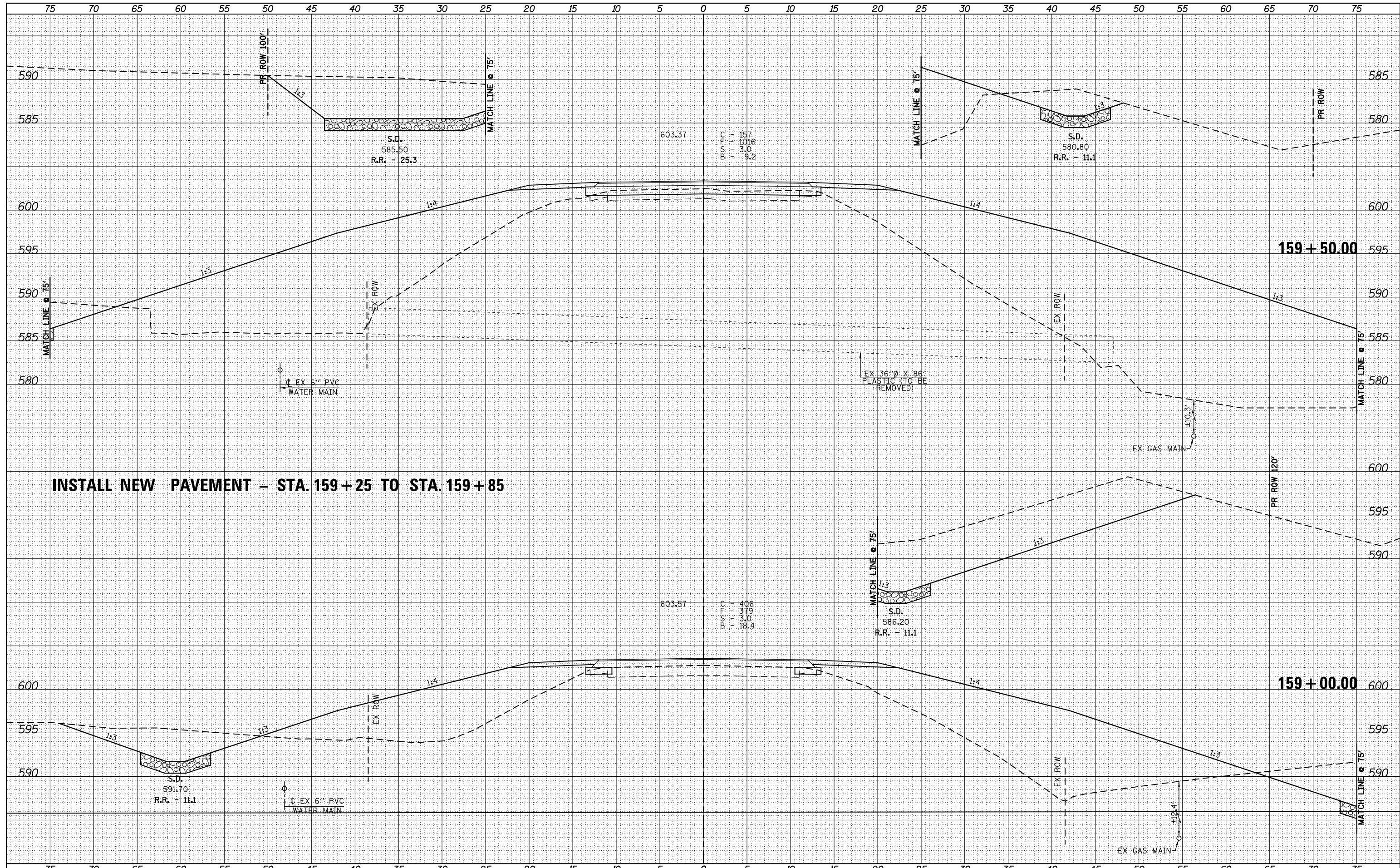


DATE	
BY	
FINAL SURVEY	
SURVEY PLOTTED	
NOTE BOOK	
AREAS CHECKED	
NO.	

DATE	
BY	
ORIGINAL SURVEY	
SURVEY PLOTTED	
NOTE BOOK	
AREAS CHECKED	
NO.	

DATE	
BY	
FINAL SURVEY	SURVEYED
NOTE BOOK	PLOTTED
NO.	TEMPLATE
	AREAS CHECKED

DATE	
BY	
ORIGINAL SURVEY	SURVEYED
NOTE BOOK	PLOTTED
NO.	TEMPLATE
	AREAS CHECKED

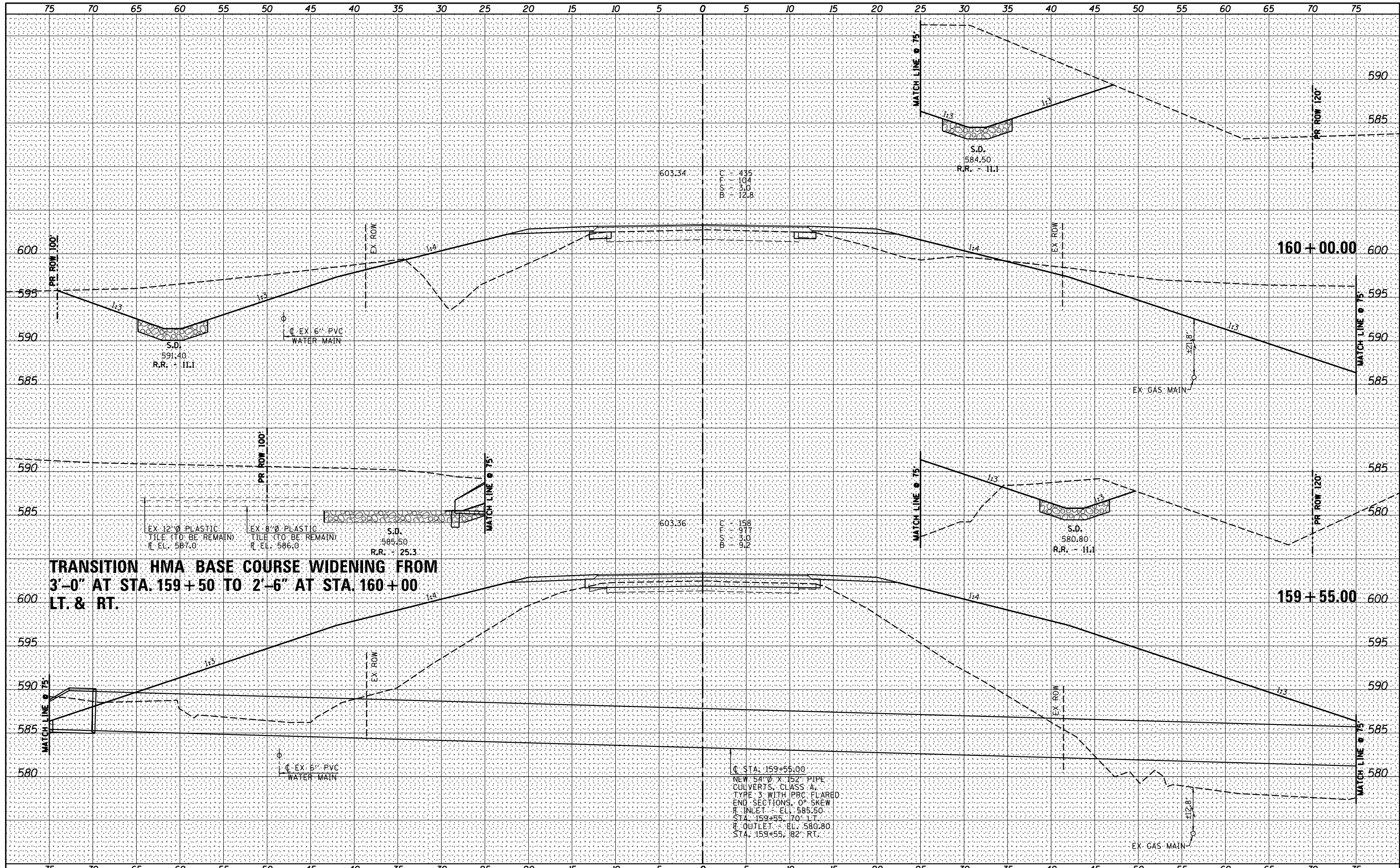


INSTALL NEW PAVEMENT – STA. 159+25 TO STA. 159+85

FILE NAME =	USER NAME = #USER#	DESIGNED -	REVISED -	<p>Veenstra & Kimm, Inc. Springfield, IL. Phone: (217)544-8033 IL. Design Firm No. 184-001939</p>	CROSS SECTIONS		F.A.S. RTE.	SECTION	COUNTY	TOTAL SHEETS	SHEET NO.	
Z:\2009 Jobs\LOCAL\Menard\09-023A C.H. 2 (Athens Blacktop) Phase 4\Segment D\CADD Sheets\09-023A-04-01.dwg	DATE	CHECKED -	REVISED -		SCALE: 1" = 5'	SHEET NO. 18 OF 65 SHEETS	STA. 159+00.00 TO STA. 159+46.17	574	20-00056-08-PV	MENARD	98	51
PLOT SCALE = #SCALE#	DATE	DATE	REVISED -		CONTRACT NO. 93775			FED. ROAD DIST. NO. _ ILLINOIS FED. AID PROJECT				
PLOT DATE = 8/9/2022	DATE	DATE	REVISED -									

BY	DATE
FINL	SURVEYED
SURVEY	PLOTTED
NOTE BOOK	TEMPLATE
AREAS CHECKED	AREAS CHECKED
NO.	NO.

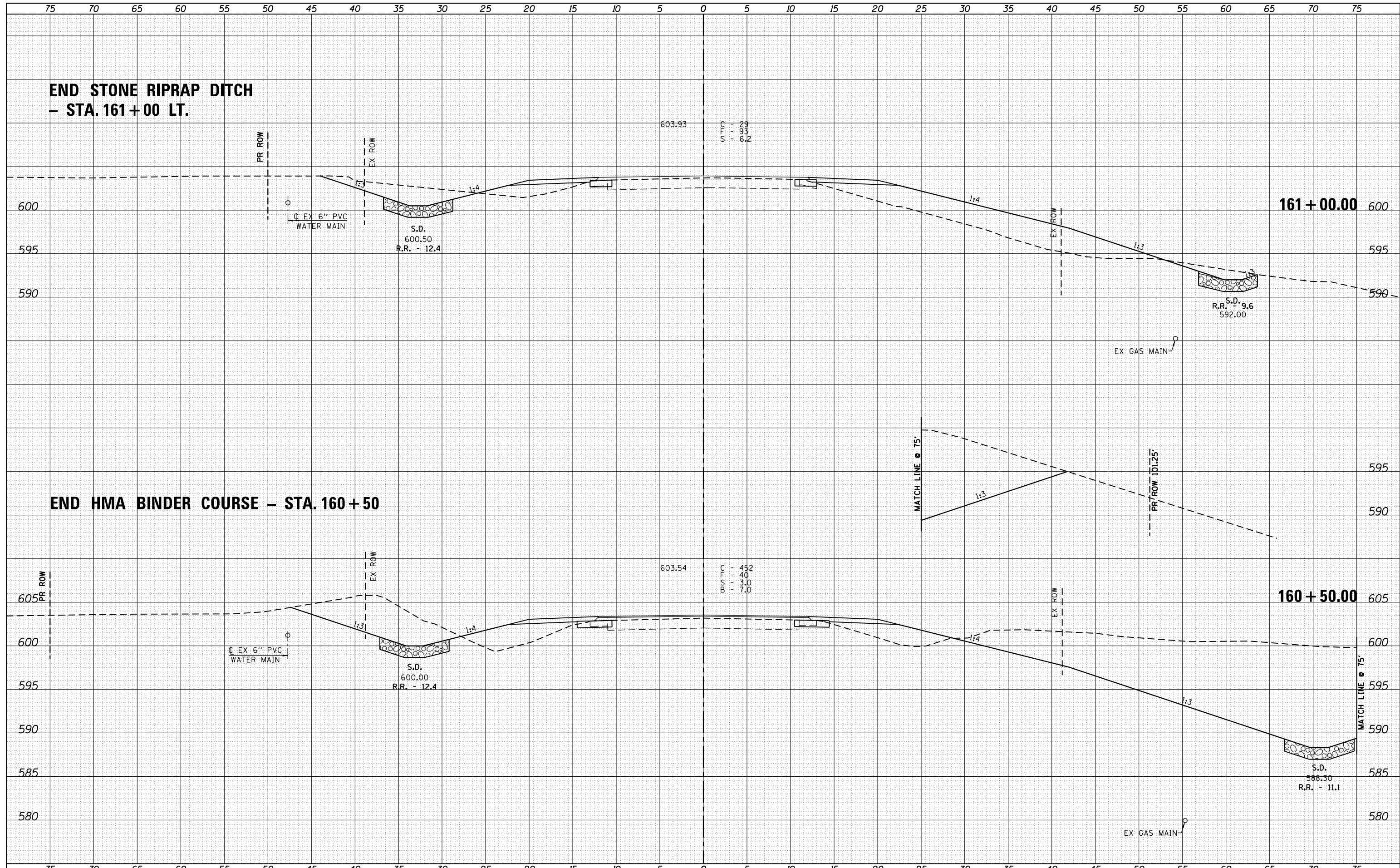
BY	DATE
ORIGINAL	SURVEYED
SURVEY	PLOTTED
NOTE BOOK	TEMPLATE
AREAS CHECKED	AREAS CHECKED
NO.	NO.



FILE NAME =	USER NAME = #USER*	DESIGNED -	REVISED -	Veenstra & Kimm, Inc. Springfield, IL. Phone: (217)544-8033 IL. Design Firm No. 184-001939	CROSS SECTIONS		F.A.S. RTE.	SECTION	COUNTY	TOTAL SHEETS	SHEET NO.	
#FILE*		DRAWN -	REVISED -		SCALE: 1" = 5'	SHEET NO. 19 OF 65 SHEETS	STA. 159+50.00 TO STA. 160+00.00	574	20-00056-08-PV	MCNARD	98	52
		CHECKED -	REVISED -		CONTRACT NO. 93775			FED. ROAD DIST. NO. ILLINOIS FED. AID PROJECT				
		DATE -	REVISED -									

DATE	
BY	
FINAL SURVEY	SURVEYED
NOTE BOOK	PLOTTED
NO.	TEMPLATE
	AREAS CHECKED

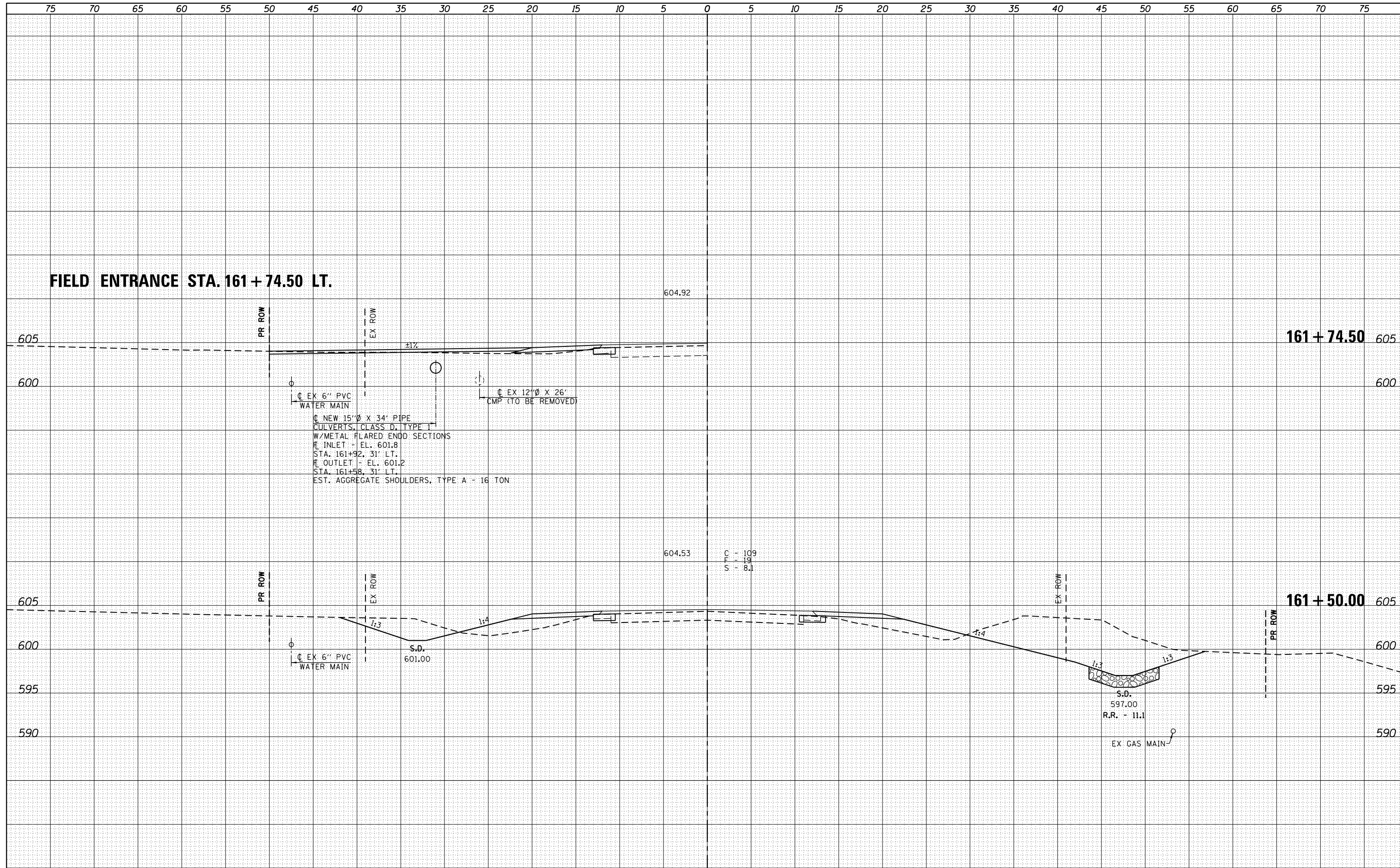
DATE	
BY	
ORIGINAL SURVEY	SURVEYED
NOTE BOOK	PLOTTED
NO.	TEMPLATE
	AREAS CHECKED



FILE NAME =	USER NAME = mfiash	DESIGNED -	REVISED -	Veenstra & Kimm, Inc. Springfield, IL. Phone: (217)544-8033 IL. Design Firm No. 184-001939	CROSS SECTIONS SCALE: 1" = 5' SHEET NO. 20 OF 65 SHEETS STA. 160+50.00 TO STA. 161+00.00		F.A.S. RTE.	SECTION	COUNTY	TOTAL SHEETS	SHEET NO.
Z:\2009 Jobs\LOCAL\Menard\09-023A C.H. 2 (Athens Blacktop) Phase 4\Segment D\CADD Sheets\09-023A.dgn	DATE	REVISIONS	574				20-00056-08-PV	MENARD	98	53	
PLOT SCALE = 10.0000 "/td> <td>CHECKED -</td> <td>REVISIONS</td> <td colspan="4">CONTRACT NO. 93775</td>	CHECKED -	REVISIONS	CONTRACT NO. 93775								
PLOT DATE = 7/26/2022	DATE	REVISIONS	FED. ROAD DIST. NO. ILLINOIS FED. AID PROJECT								

DATE	
BY	
SURVEYED	
PLOTTED	
TEMPLATE	
NOTE BOOK	
AREAS CHECKED	
NO.	

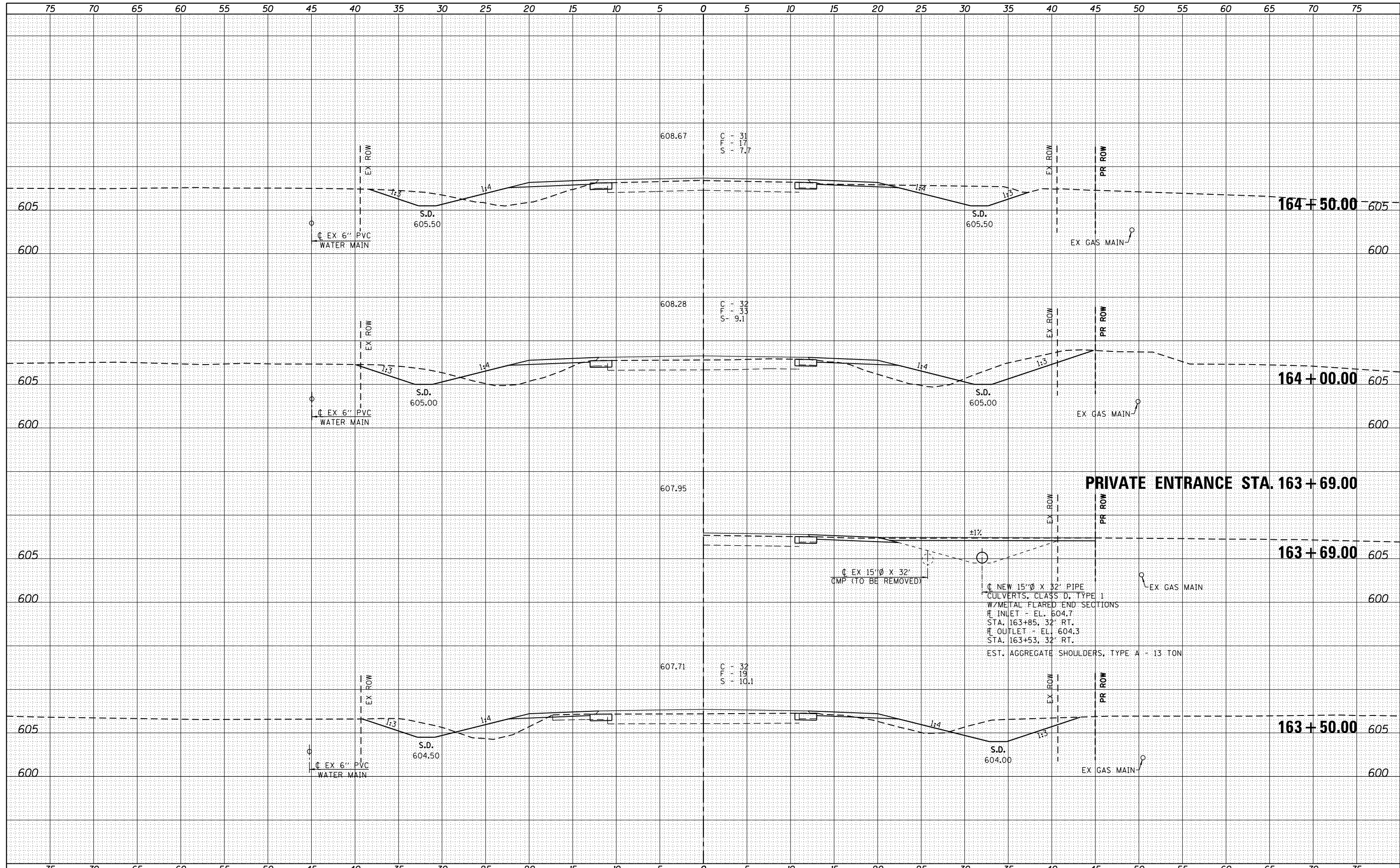
DATE	
BY	
SURVEYED	
PLOTTED	
TEMPLATE	
NOTE BOOK	
AREAS CHECKED	
NO.	



FILE NAME =	USER NAME = mfiouh	DESIGNED -	REVISIED -	Veenstra & Kimm, Inc. Springfield, IL. Phone: (217)544-8033 IL. Design Firm No. 184-001939	CROSS SECTIONS SCALE: 1" = 5' SHEET NO. 21 OF 65 SHEETS STA. 161+50.00 TO STA. 161+75.81			F.A.S. RTE.	SECTION	COUNTY	TOTAL SHEETS	SHEET NO.
Z:\2009 Jobs\LOCAL\Menard\09-023A C.H. 2 (Athens Blacktop) Phase 4 Segment D\CADD Sheets\09-023A-04-01.dwg	DRAWN	REVISIED -	REVISIED -					574	20-00056-08-PV	MENARD	98	54
PLOT SCALE = 10.0000 ' / in.	CHECKED -	REVISIED -	REVISIED -		CONTRACT NO. 93775							
PLOT DATE = 7/26/2022	DATE -	REVISIED -	REVISIED -		FED. ROAD DIST. NO. ILLINOIS FED. AID PROJECT							

DATE	
BY	
FINAL SURVEY	SURVEYED
NOTE BOOK	PLOTTED
NO.	TEMPLATE
	AREAS
	CHECKED

DATE	
BY	
ORIGINAL SURVEY	SURVEYED
NOTE BOOK	PLOTTED
NO.	TEMPLATE
	AREAS
	CHECKED



PRIVATE ENTRANCE STA. 163 + 69.00

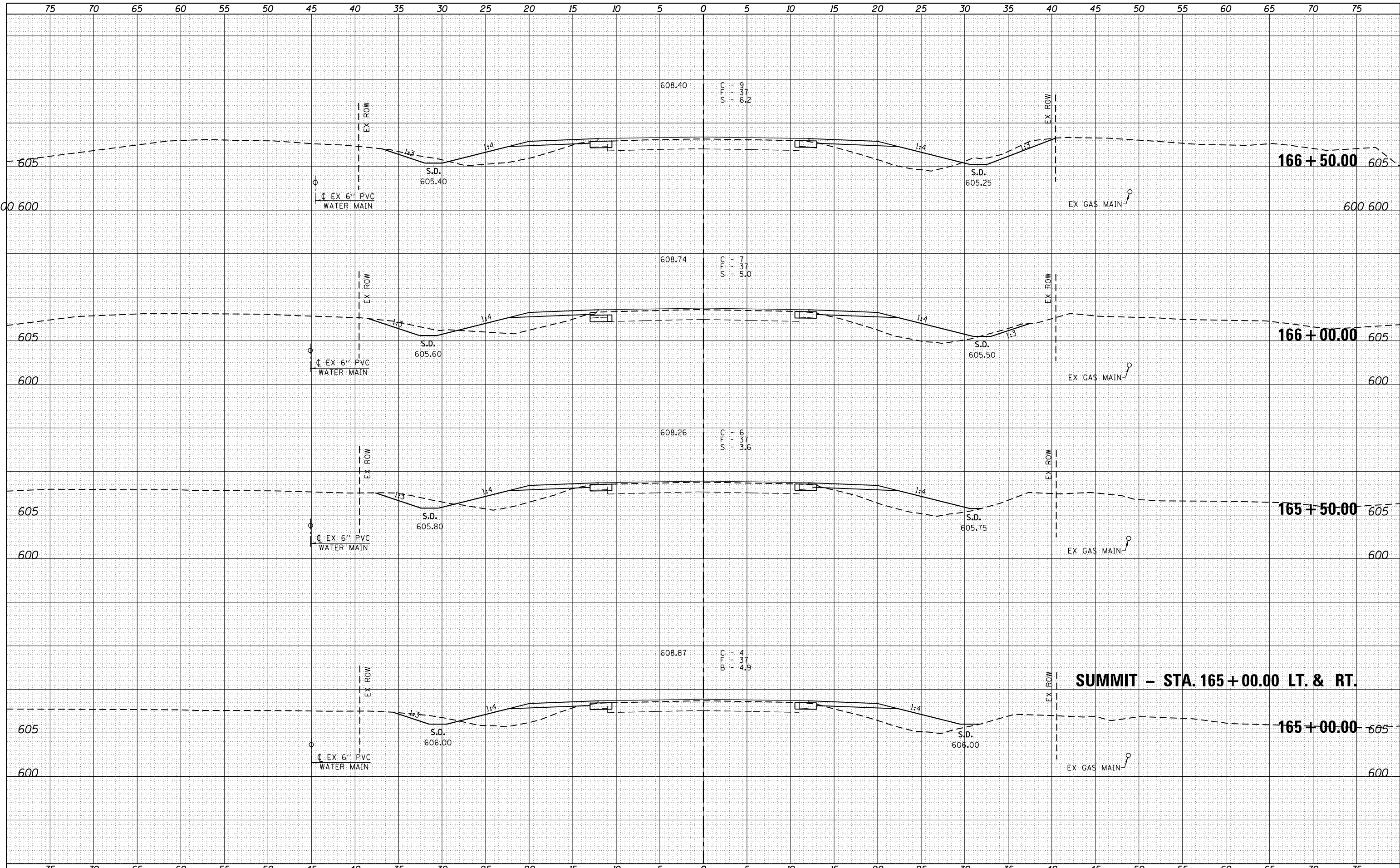
EX 15'Ø X 32' CMP (TO BE REMOVED)

NEW 15'Ø X 32' PIPE
 CULVERTS, CLASS D, TYPE 1
 W/METAL FLARED END SECTIONS
 INLET - EL. 604.7
 STA. 163+85, 32' RT.
 OUTLET - EL. 604.3
 STA. 163+53, 32' RT.
 EST. AGGREGATE SHOULDERS, TYPE A - 13 TON

FILE NAME =	USER NAME = mfiash	DESIGNED -	REVISOR -	<p>Veenstra & Kimm, Inc. Springfield, IL. Phone: (217)544-8033 IL. Design Firm No. 184-001939</p>	<p align="center">CROSS SECTIONS</p> <p>SCALE: 1" = 5' SHEET NO. 33 OF 65 SHEETS STA. 163+10.31 TO STA. 164+50.00</p>			F.A.S. RTE.	SECTION	COUNTY	TOTAL SHEETS	SHEET NO.
Z:\2009 Jobs\LOCAL\Menard\09-023A C.H. 2 (Athens Blacktop) Phase 4\Segment D\CADD Sheets\09-023A-04-01.dwg	DATE	CHECKED -	REVISOR -					574	20-00056-08-PV	MENARD	98	56
PLOT SCALE = 10.0000 "/td> <td>DATE</td> <td>CHECKED -</td> <td>REVISOR -</td> <td colspan="3">CONTRACT NO. 93775</td>	DATE	CHECKED -	REVISOR -		CONTRACT NO. 93775							
PLOT DATE = 7/26/2022	DATE	CHECKED -	REVISOR -		FED. ROAD DIST. NO. ILLINOIS FED. AID PROJECT							

DATE	
BY	
FINAL SURVEY	
PLOTTED	
TEMPLATE	
NOTE BOOK	
AREAS CHECKED	
NO.	

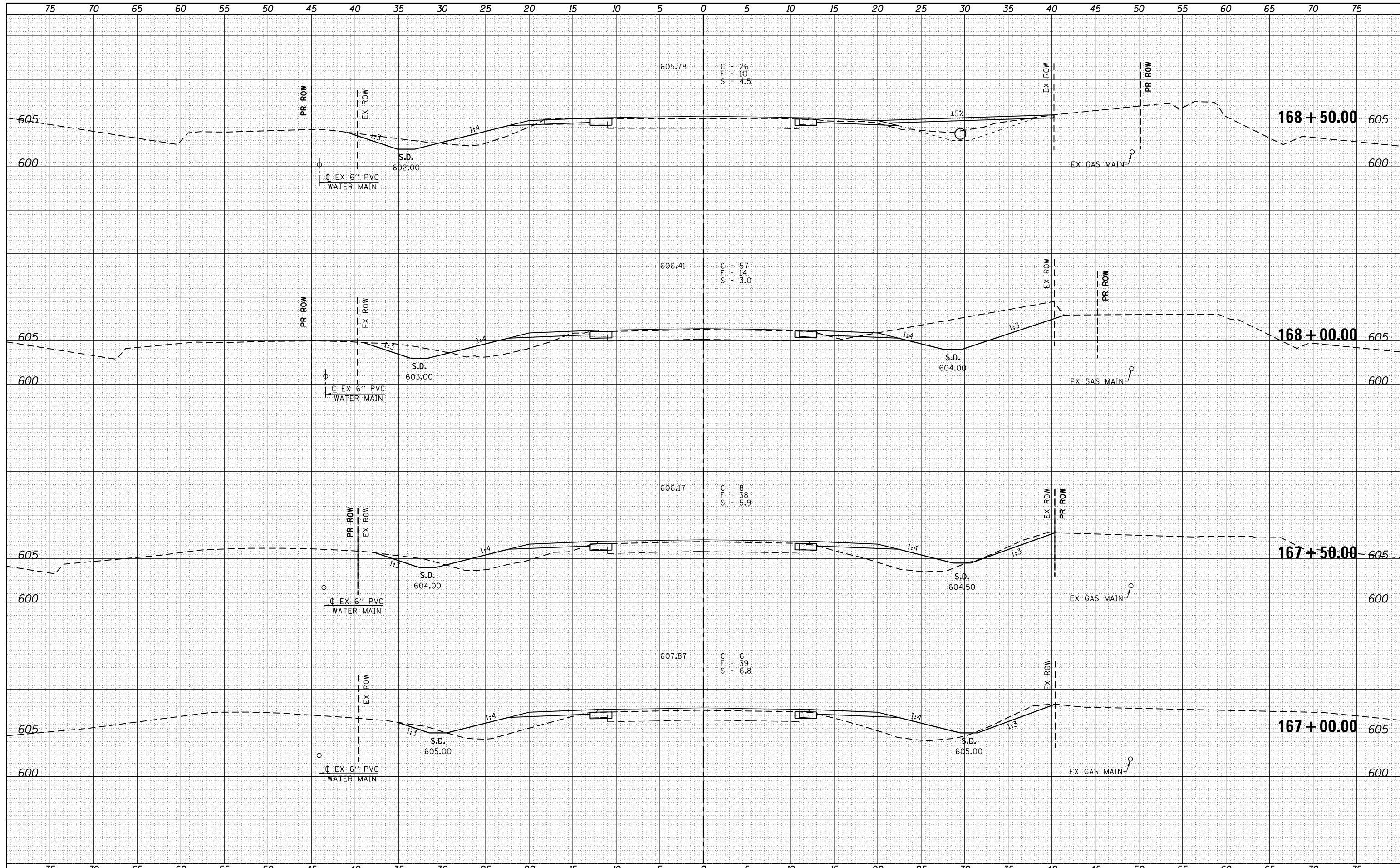
DATE	
BY	
ORIGINAL SURVEY	
PLOTTED	
TEMPLATE	
NOTE BOOK	
AREAS CHECKED	
NO.	



FILE NAME =	USER NAME = mfiash	DESIGNED -	REVISÉD -	Venstra & Kimm, Inc. Springfield, IL. Phone: (217)544-8033 IL. Design Firm No. 184-001939	CROSS SECTIONS SCALE: 1" = 5' SHEET NO. 24 OF 65 SHEETS STA. 165+00.00 TO STA. 166+50.00			F.A.S. RTE.	SECTION	COUNTY	TOTAL SHEETS	SHEET NO.
Z:\2009 Jobs\LOCAL\Menard\09-023A C.H. 2 (Athens Blacktop) Phase 4\Segment D\CADD Sheets\09-023A-04.dwg	DRAWN	REVISÉD -	REVISÉD -					574	20-00056-08-PV	MENARD	98	57
PLOT SCALE = 10.0000' / in.	CHECKED -	REVISÉD -	REVISÉD -		CONTRACT NO. 93775 FED. ROAD DIST. NO. ILLINOIS FED. AID PROJECT							
PLOT DATE = 7/26/2022	DATE -	REVISÉD -	REVISÉD -									

DATE	
BY	
FINAL SURVEY	SURVEYED
NOTE BOOK	PLOTTED
NO.	TEMPLATE
	AREAS CHECKED

DATE	
BY	
ORIGINAL SURVEY	SURVEYED
NOTE BOOK	PLOTTED
NO.	TEMPLATE
	AREAS CHECKED



FILE NAME = Z:\2009 Jobs\LOCAL\Menard\09-023A C.H. 2 (Athens Blacktop) Phase 4\Segment D\CADD Sheets\09-023A-04-01.dwg
 USER NAME = mfiash
 PLOT SCALE = 10.0000' / in.
 PLOT DATE = 7/26/2022

DESIGNED -
 CHECKED -
 DATE -

REVISED -
 REVISED -
 REVISED -
 REVISED -



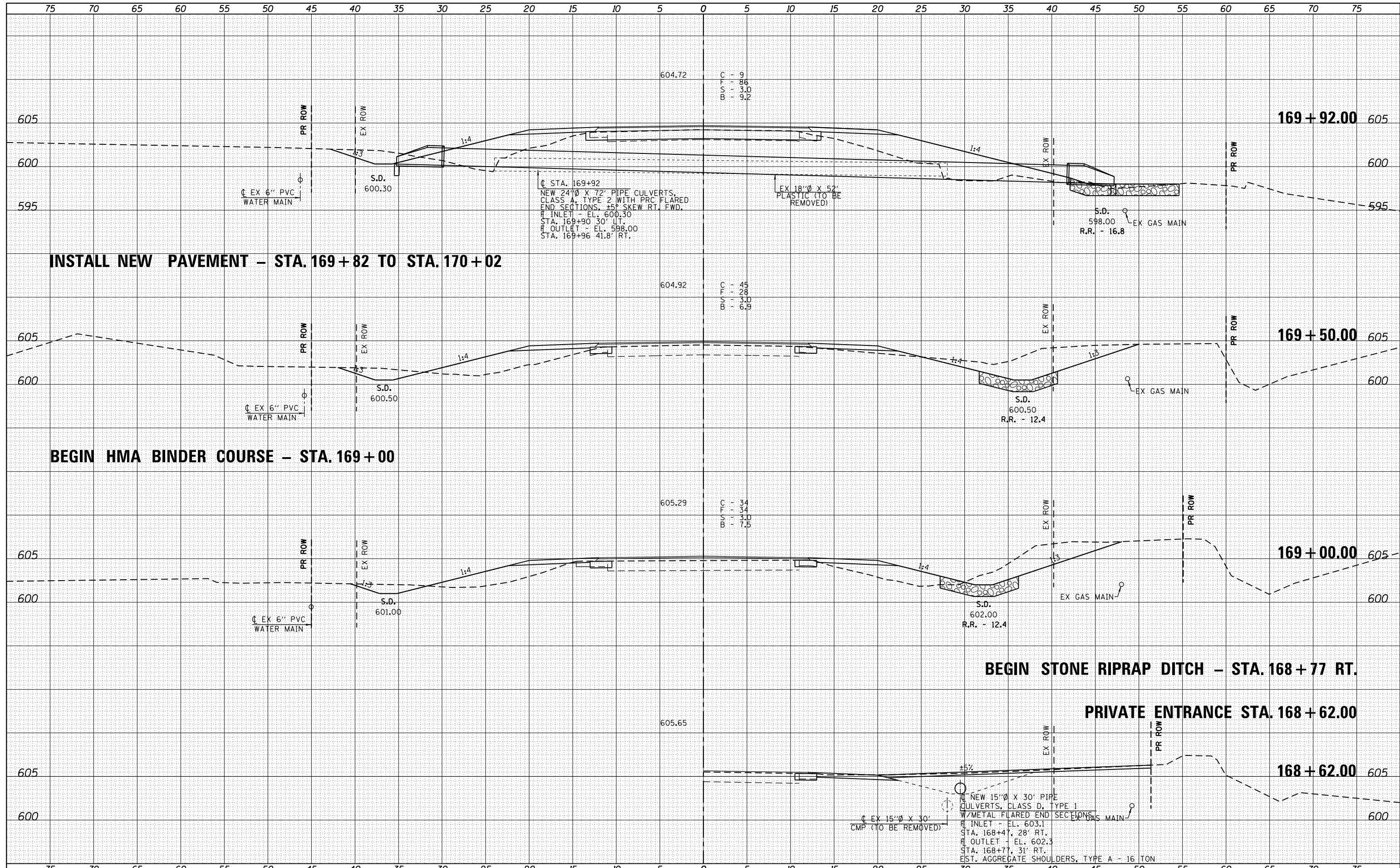
Venstra & Kimm, Inc.
 Springfield, IL. Phone: (217)544-8033
 IL. Design Firm No. 184-001939

CROSS SECTIONS
 SCALE: 1" = 5'
 SHEET NO. 25 OF 65 SHEETS
 STA. 167+00.00 TO STA. 168+50.00

F.A.S. RTE.	SECTION	COUNTY	TOTAL SHEETS	SHEET NO.
574	20-00056-08-PV	MENARD	98	58
CONTRACT NO. 93775				
FED. ROAD DIST. NO. ILLINOIS FED. AID PROJECT				

DATE	
BY	
FINAL SURVEY	
SURVEYED	
PLOTTED	
TEMPLATE	
NOTE BOOK	
AREAS CHECKED	
NO.	

DATE	
BY	
ORIGINAL SURVEY	
SURVEYED	
PLOTTED	
TEMPLATE	
NOTE BOOK	
AREAS CHECKED	
NO.	



FILE NAME =	USER NAME = mfiash	DESIGNED -	REVISOR -	F.A.S. RTE.	SECTION	COUNTY	TOTAL SHEETS	SHEET NO.
Z:\2009 Jobs\LOCAL\Menard\09-023A C.H. 2 (Athens Blacktop) Phase 4\Segment D\CADD Sheets\09-023A-04-01.dgn		DRAWN		574	20-00056-08-PV	MENARD	98	59
PLOT SCALE = 10.0000' / in.		CHECKED -	REVISOR -	CONTRACT NO. 93775				
PLOT DATE = 7/26/2022		DATE -	REVISOR -	FED. ROAD DIST. NO. ILLINOIS FED. AID PROJECT				

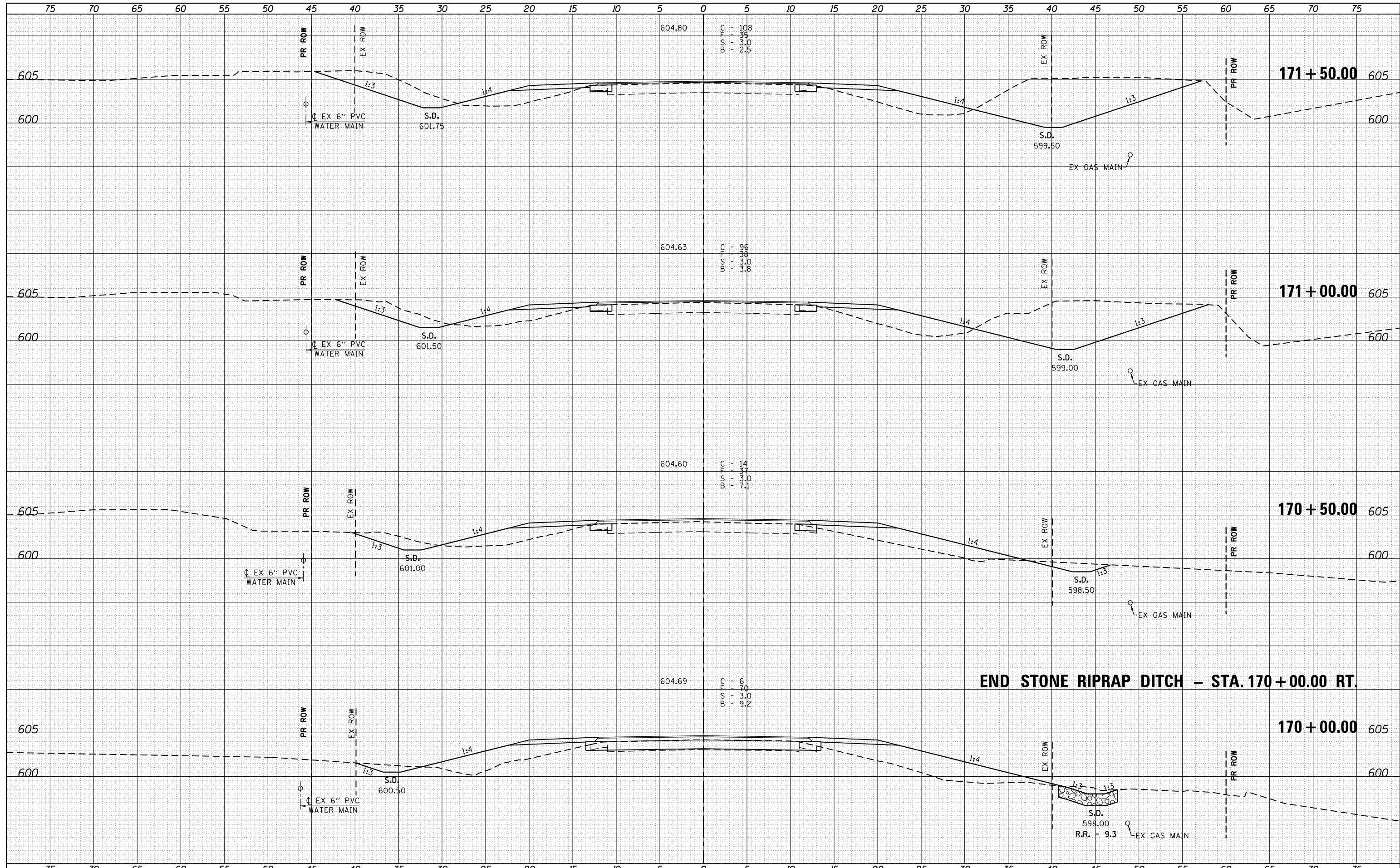


Veenstra & Kimm, Inc.
 Springfield, IL. Phone: (217)544-8033
 IL. Design Firm No. 184-001939

CROSS SECTIONS
 SCALE: 1" = 5'
 SHEET NO. 26 OF 65 SHEETS
 STA. 168+62.31 TO STA. 169+92.32

DATE	
BY	
FINAL SURVEY	
PLOTTED	
TEMPLATE	
NOTE BOOK	
AREAS CHECKED	
NO.	

DATE	
BY	
ORIGINAL SURVEY	
PLOTTED	
TEMPLATE	
NOTE BOOK	
AREAS CHECKED	
NO.	



END STONE RIPRAP DITCH - STA. 170+00.00 RT.

FILE NAME =	USER NAME = mfiash	DESIGNED -	REVISIED -	F.A.S. RTE.	SECTION	COUNTY	TOTAL SHEETS	SHEET NO.
Z:\2009 Jobs\LOCAL\Menard\09-023A C.H. 2 (Athens Blacktop) Phase 4\Segment D\CADD Sheets\09-023A-4-1.dwg		DRAWN	REVISIED -	574	20-00056-08-PV	MENARD	98	60
PLOT SCALE = 10.0000' / in.		CHECKED -	REVISIED -	CONTRACT NO. 93775				
PLOT DATE = 7/26/2022		DATE -	REVISIED -	FED. ROAD DIST. NO. ILLINOIS FED. AID PROJECT				



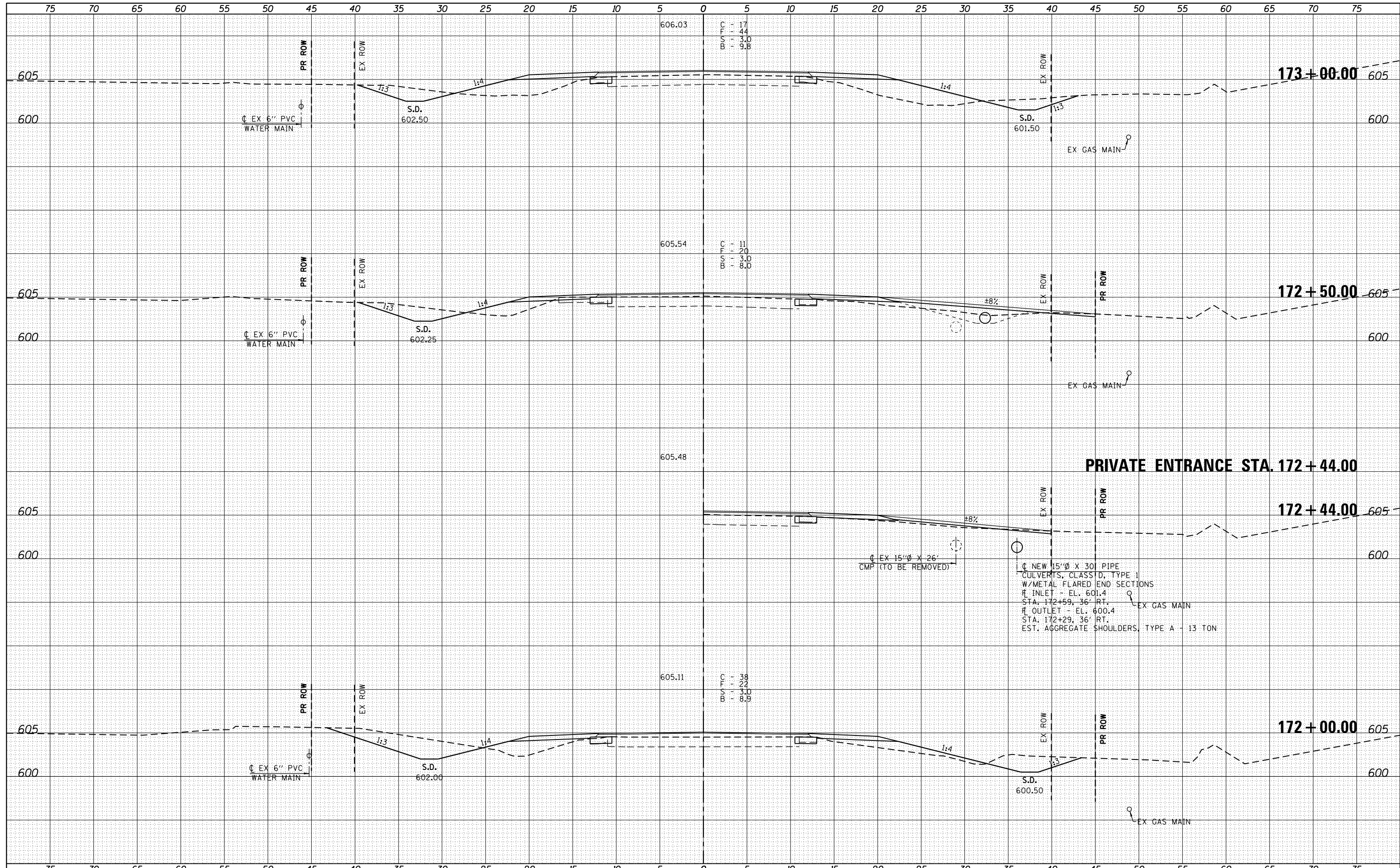
Veenstra & Kimm, Inc.
 Springfield, IL. Phone: (217)544-8033
 IL. Design Firm No. 184-001939

CROSS SECTIONS

SCALE: 1" = 5' SHEET NO. 27 OF 65 SHEETS STA. 170+00.00 TO STA. 171+50.00

DATE	
BY	
FINAL SURVEY	
PLOTTED	
TEMPLATE	
NOTE BOOK	
AREAS CHECKED	
NO.	

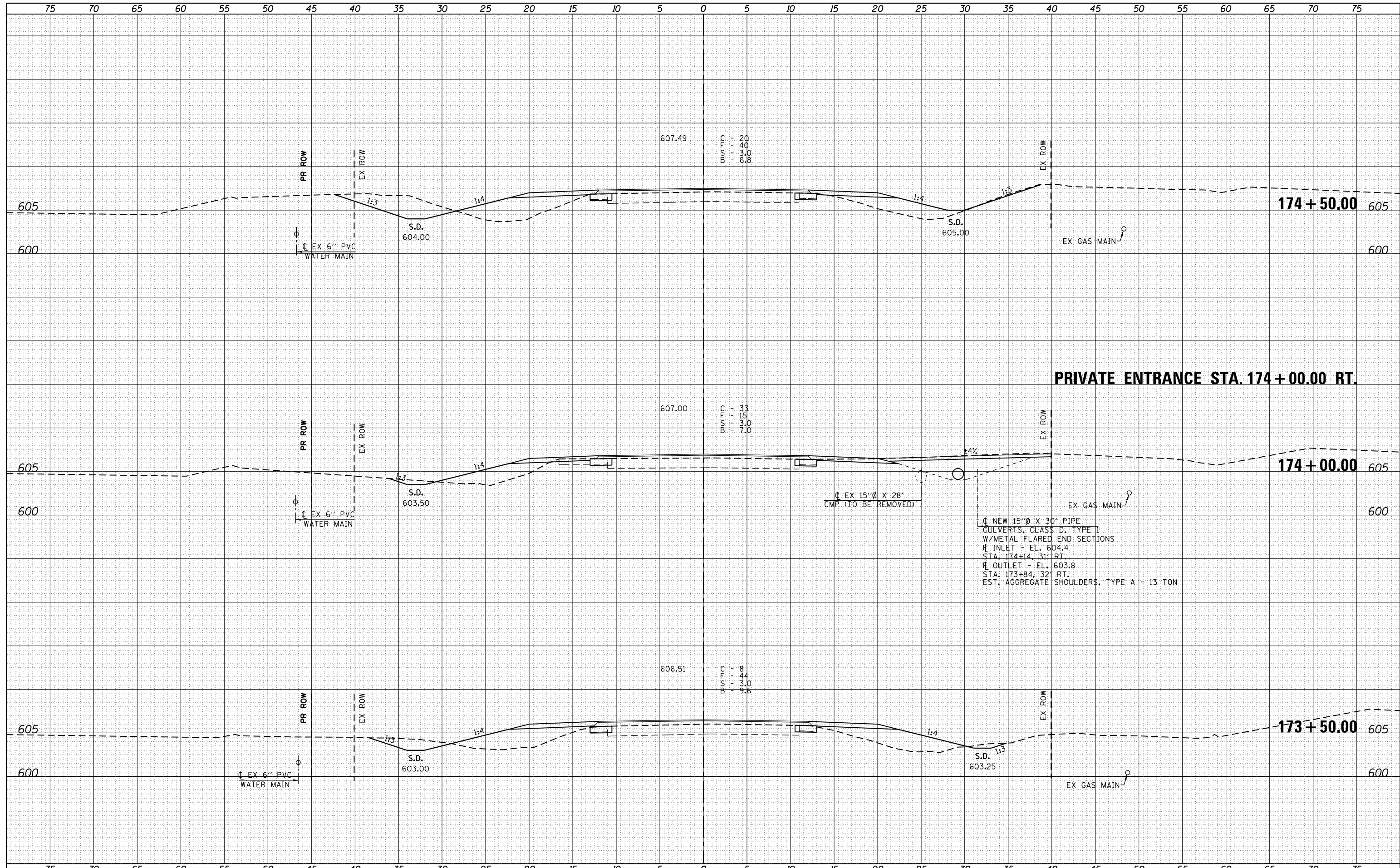
DATE	
BY	
ORIGINAL SURVEY	
PLOTTED	
TEMPLATE	
NOTE BOOK	
AREAS CHECKED	
NO.	



FILE NAME =	USER NAME = mfiash	DESIGNED -	REVISIED -	Veenstra & Kimm, Inc. Springfield, IL. Phone: (217)544-8033 IL. Design Firm No. 184-001939	CROSS SECTIONS SCALE: 1" = 5'		F.A.S. RTE.	SECTION	COUNTY	TOTAL SHEETS	SHEET NO.
Z:\2009 Jobs\LOCAL\Menard\09-023A C.H. 2 (Athens Blacktop) Phase 4\Segment D\CADD Sheets\09-023A-04-01.dwg	PLOTTED -	REVISIED -	574				20-00056-08-PV	MENARD	98	61	
PLOT SCALE = 10.0000' / in.	CHECKED -	REVISIED -	CONTRACT NO. 93775 FED. ROAD DIST. NO. ILLINOIS FED. AID PROJECT								
PLOT DATE = 7/26/2022	DATE -	REVISIED -									

DATE	
BY	
FINAL SURVEY	SURVEYED
NOTE BOOK	PLOTTED
NO.	TEMPLATE
	AREAS CHECKED

DATE	
BY	
ORIGINAL SURVEY	SURVEYED
NOTE BOOK	PLOTTED
NO.	TEMPLATE
	AREAS CHECKED



PRIVATE ENTRANCE STA. 174 + 00.00 RT.

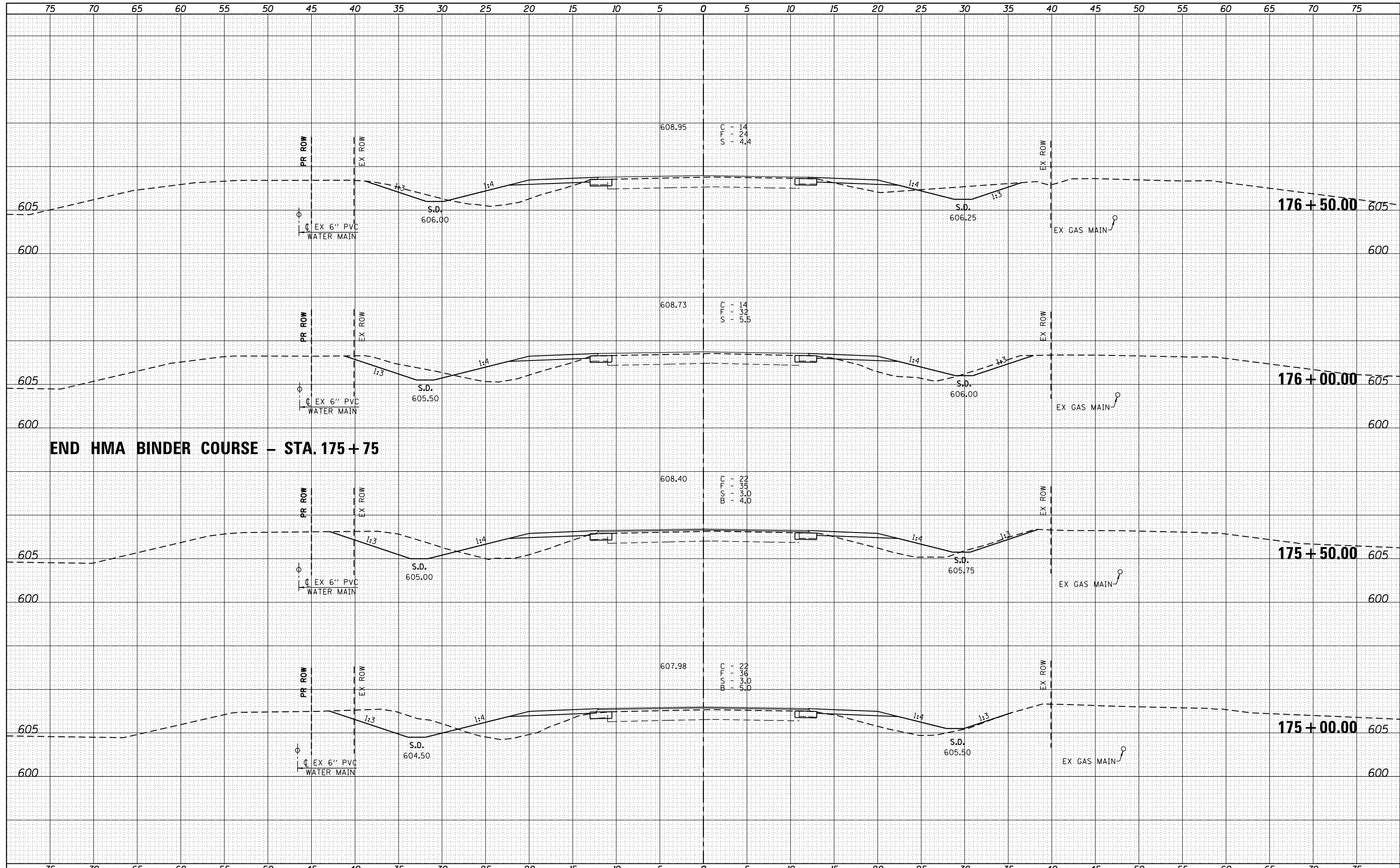
NEW 15'Ø X 30' PIPE
 CULVERTS, CLASS D, TYPE 1
 W/METAL FLARED END SECTIONS
 F INLET - EL. 604.4
 STA. 174+14, 31' RT.
 F OUTLET - EL. 603.8
 STA. 173+84, 32' RT.
 EST. AGGREGATE SHOULDERS, TYPE A - 13 TON

FILE NAME =	USER NAME = mfiash	DESIGNED -	REVISÉD -	<p>Veenstra & Kimm, Inc. Springfield, IL. Phone: (217)544-8033 IL. Design Firm No. 184-001939</p>	<p align="center">CROSS SECTIONS</p>		F.A.S. RTE.	SECTION	COUNTY	TOTAL SHEETS	SHEET NO.
Z:\2009 Jobs\LOCAL\Menard\09-023A C.H. 2 (Athens Blacktop) Phase 4\Segment D\CADD Sheets\09-023A-04-01.dgn	PLotted	REVISÉD -	REVISÉD -				574	20-00056-08-PV	MENARD	98	62
PLOT SCALE = 10.0000' / in.	CHECKED -	REVISÉD -	REVISÉD -		CONTRACT NO. 93775						
PLOT DATE = 7/26/2022	DATE -	REVISÉD -	REVISÉD -		SCALE: 1" = 5' SHEET NO. 29 OF 65 SHEETS STA. 173+50.00 TO STA. 174+50.00						

FED. ROAD DIST. NO. ILLINOIS FED. AID PROJECT

DATE	
BY	
FINAL SURVEY	SURVEYED
NOTE BOOK	PLOTTED
NO.	TEMPLATE
	AREAS CHECKED
	AREAS CHECKED

DATE	
BY	
ORIGINAL SURVEY	SURVEYED
NOTE BOOK	PLOTTED
NO.	TEMPLATE
	AREAS CHECKED
	AREAS CHECKED

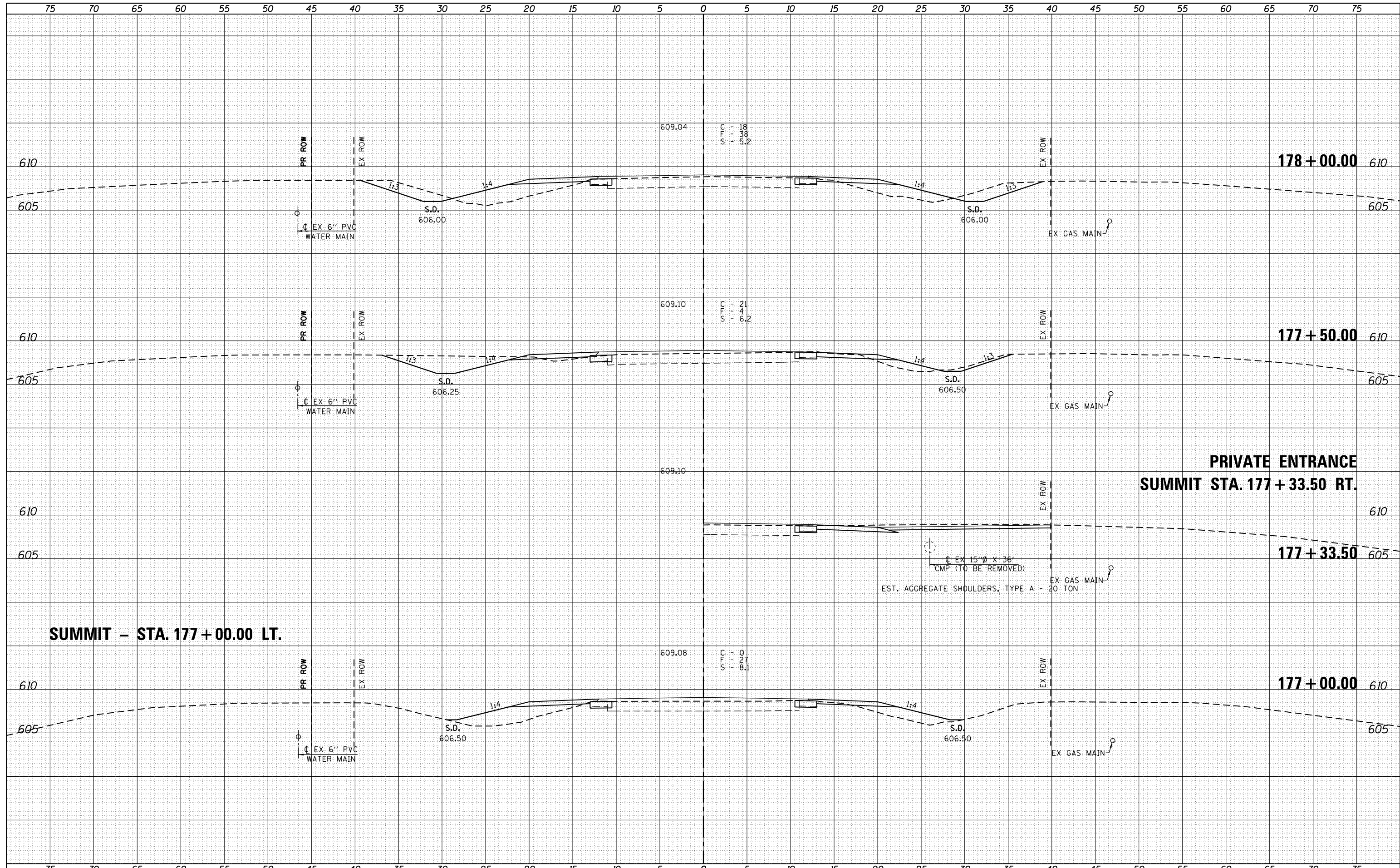


END HMA BINDER COURSE - STA. 175+75

FILE NAME =	USER NAME = mfiash	DESIGNED -	REVISIED -	 Veenstra & Kimm, Inc. Springfield, IL. Phone: (217)544-8033 IL. Design Firm No. 184-001939	CROSS SECTIONS			F.A.S. RTE.	SECTION	COUNTY	TOTAL SHEETS	SHEET NO.
Z:\2009 Jobs\LOCAL\Menard\09-023A C.H. 2 (Athens Blacktop) Phase 4\Segment D\CADD Sheets\09-023A-04.dwg	DATE	CHECKED -	REVISIED -		SCALE: 1" = 5'	SHEET NO. 30 OF 65 SHEETS	STA. 175+00.00 TO STA. 176+50.00	574	20-00056-08-PV	MENARD	98	63
PLOT SCALE = 10.0000' / in.	DATE	REVISIED -	REVISIED -					CONTRACT NO. 93775				
PLOT DATE = 7/26/2022	DATE	REVISIED -	REVISIED -					FED. ROAD DIST. NO. ILLINOIS FED. AID PROJECT				

DATE	
BY	
FINAL SURVEY	SURVEYED
NOTE BOOK	PLOTTED
NO.	TEMPLATE
	AREAS CHECKED
	AREAS CHECKED

DATE	
BY	
ORIGINAL SURVEY	SURVEYED
NOTE BOOK	PLOTTED
NO.	TEMPLATE
	AREAS CHECKED
	AREAS CHECKED



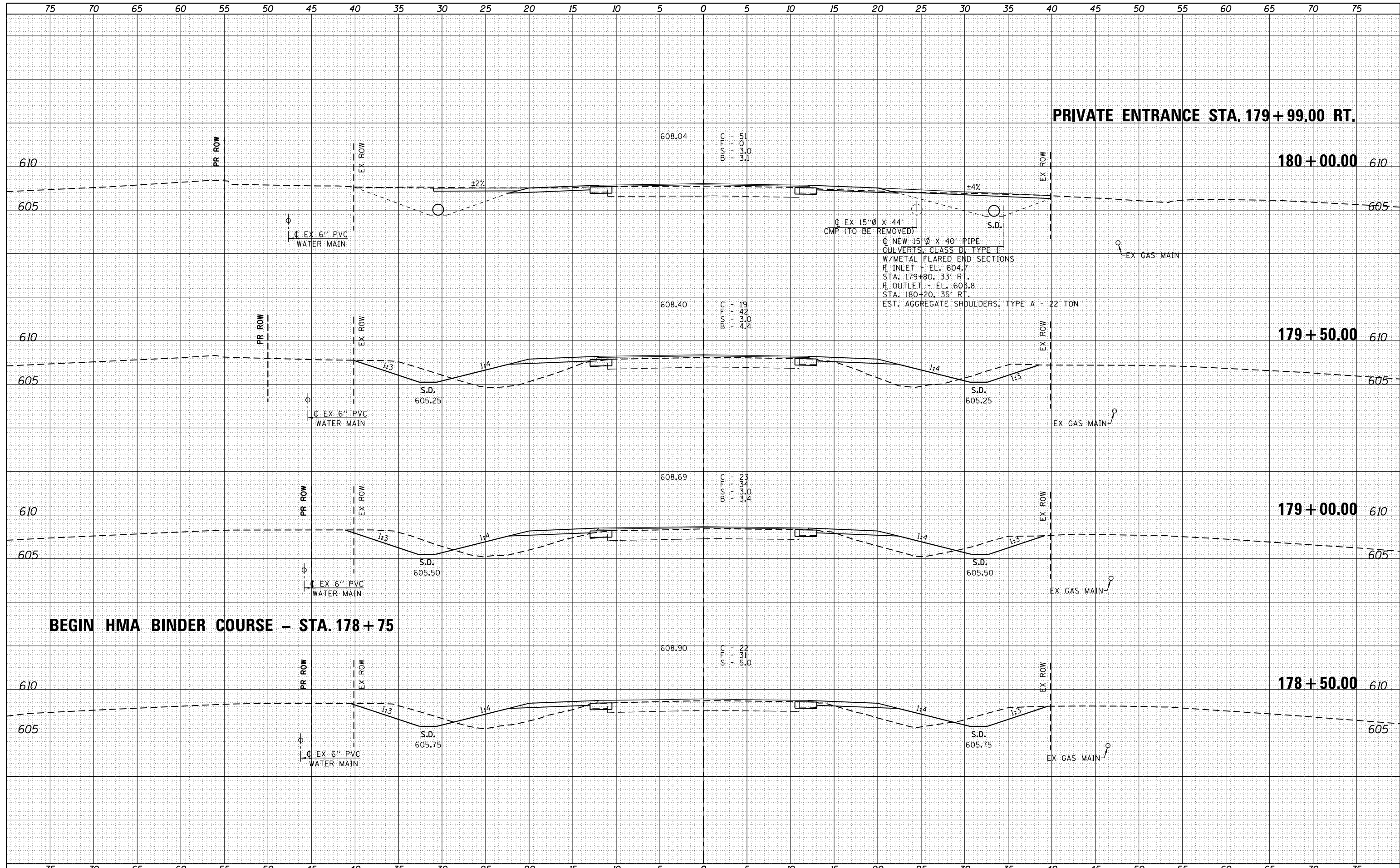
SUMMIT - STA. 177 + 00.00 LT.

**PRIVATE ENTRANCE
SUMMIT STA. 177 + 33.50 RT.**

FILE NAME =	USER NAME = mfiash	DESIGNED -	REVISIED -	<p>Veenstra & Kimm, Inc. Springfield, IL. Phone: (217)544-8033 IL. Design Firm No. 184-001939</p>	CROSS SECTIONS			F.A.S. RTE.	SECTION	COUNTY	TOTAL SHEETS	SHEET NO.
Z:\2009 Jobs\LOCAL\Menard\09-023A C.H. 2 (Athens Blacktop) Phase 4\Segment D\CADD Sheets\09-023A-04-01.dgn	PLotted	REVISIED -	REVISIED -					574	20-00056-08-PV	MENARD	98	64
PLOT SCALE = 10.0000' / in.	CHECKED -	REVISIED -	REVISIED -		CONTRACT NO. 93775			ILLINOIS FED. AID PROJECT				
PLOT DATE = 7/26/2022	DATE -	REVISIED -	REVISIED -		SCALE: 1" = 5'	SHEET NO. 31 OF 65 SHEETS	STA. 177+00.00 TO STA. 178+00.00					

DATE	
BY	
FINAL SURVEY	SURVEYED
NOTE BOOK	PLOTTED
NO.	TEMPLATE
	AREAS CHECKED
	AREAS CHECKED

DATE	
BY	
ORIGINAL SURVEY	SURVEYED
NOTE BOOK	PLOTTED
NO.	TEMPLATE
	AREAS CHECKED
	AREAS CHECKED



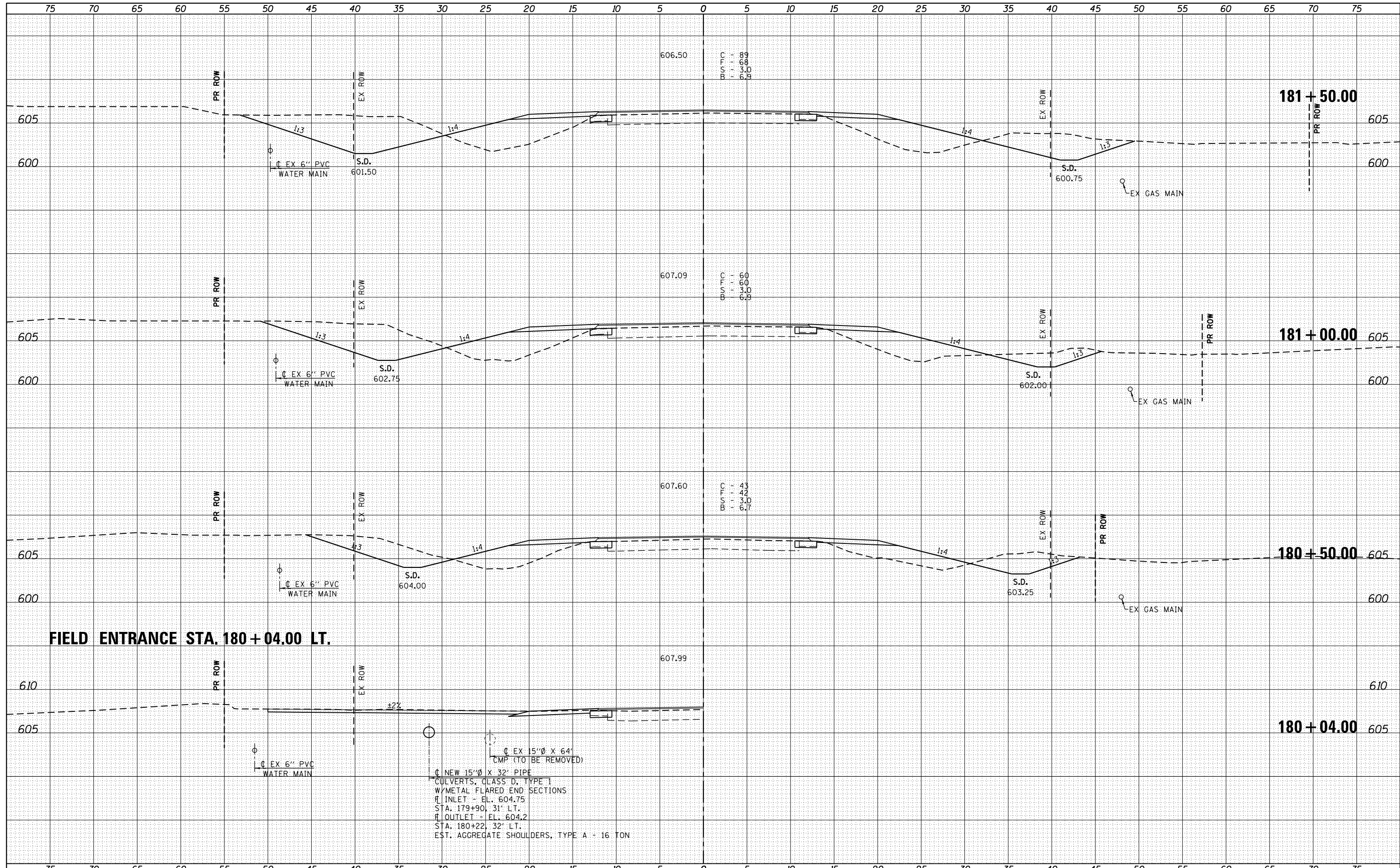
PRIVATE ENTRANCE STA. 179+99.00 RT.

BEGIN HMA BINDER COURSE - STA. 178+75

FILE NAME =	USER NAME = mfiash	DESIGNED -	REVISIED -	<p>Venstra & Kimm, Inc. Springfield, IL. Phone: (217)544-8033 IL. Design Firm No. 184-001939</p>	CROSS SECTIONS			F.A.S. RTE.	SECTION	COUNTY	TOTAL SHEETS	SHEET NO.
Z:\2009 Jobs\LOCAL\Menard\09-023A C.H. 2 (Athens Blacktop) Phase 4\Segment D\CADD Sheets\09-023A-04-01.dgn		CHECKED -	REVISIED -		SCALE: 1" = 5'	SHEET NO. 32 OF 65 SHEETS	STA. 178+50.00 TO STA. 180+00.00	574	20-00056-08-PV	MENARD	98	65
PLOT SCALE = 10.0000' / in.		DATE -	REVISIED -					CONTRACT NO. 93775				
PLOT DATE = 7/26/2022								FED. ROAD DIST. NO. ILLINOIS FED. AID PROJECT				

DATE	
BY	
FINAL SURVEY	SURVEYED
NOTE BOOK	PLOTTED
NO.	TEMPLATE
	AREAS CHECKED

DATE	
BY	
ORIGINAL SURVEY	SURVEYED
NOTE BOOK	PLOTTED
NO.	TEMPLATE
	AREAS CHECKED



FIELD ENTRANCE STA. 180+04.00 LT.

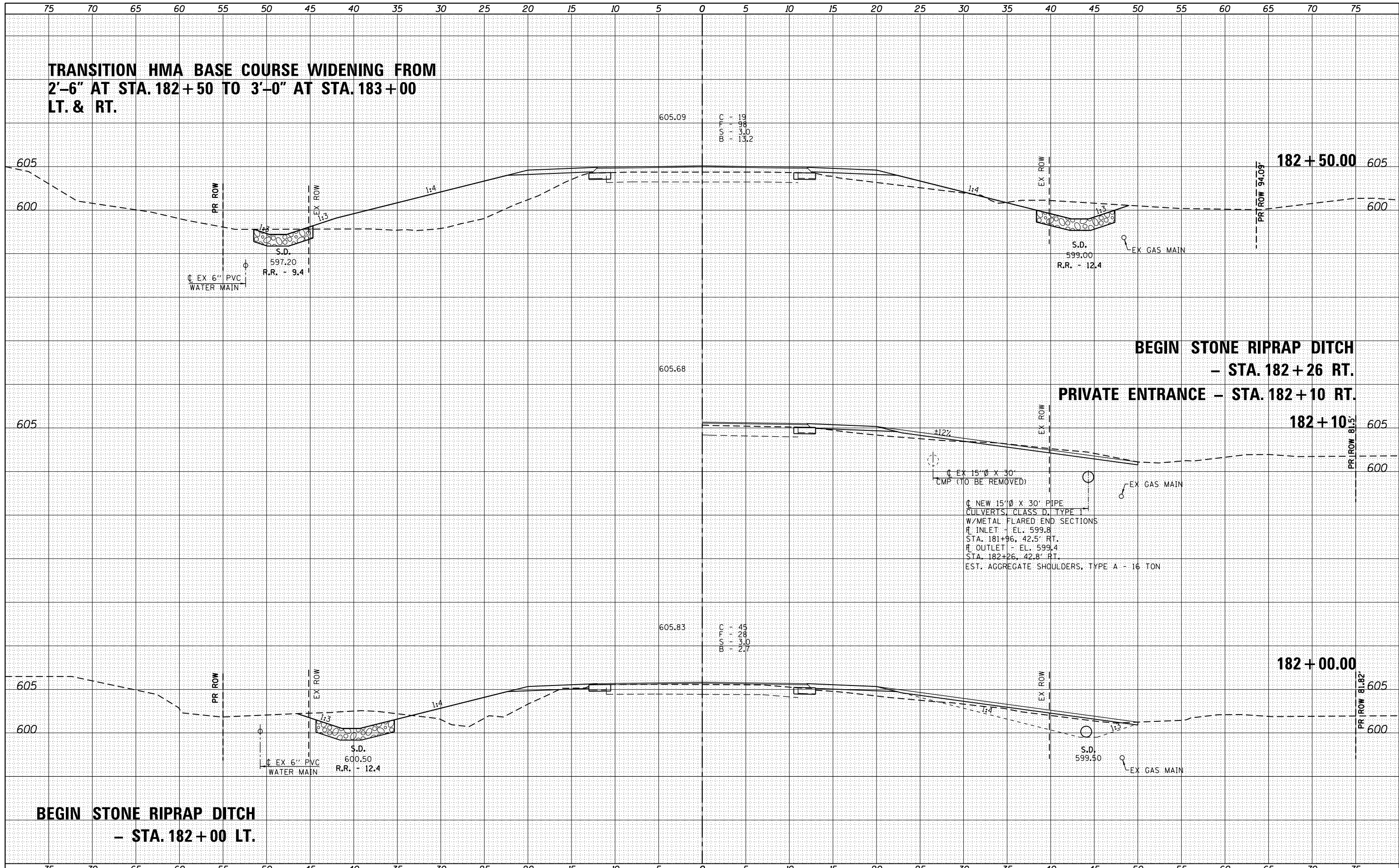
EX 15"Ø X 64' CMP (TO BE REMOVED)
 NEW 15"Ø X 32' PIPE
 CULVERTS, CLASS D, TYPE 1
 W/ METAL FLARED END SECTIONS
 INLET - EL. 604.75
 STA. 179+90, 31' LT.
 OUTLET - EL. 604.2
 STA. 180+22, 32' LT.
 EST. AGGREGATE SHOULDERS, TYPE A - 16 TON

FILE NAME =	USER NAME = mfiash	DESIGNED -	REVISED -	Veenstra & Kimm, Inc. Springfield, IL. Phone: (217)544-8033 IL. Design Firm No. 184-001939	CROSS SECTIONS SCALE: 1" = 5' SHEET NO. 43 OF 65 SHEETS STA. 180+06.31 TO STA. 181+50.00			F.A.S. RTE.	SECTION	COUNTY	TOTAL SHEETS	SHEET NO.
Z:\2009 Jobs\LOCAL\Menard\09-023A C.H. 2 (Athens Blacktop) Phase 4\Segment D\CADD Sheets\09-023A-04.dwg	DATE	CHECKED -	REVISED -					574	20-00056-08-PV	MENARD	98	66
PLOT SCALE = 10.0000 "/td> <td>DATE</td> <td>CHECKED -</td> <td>REVISED -</td> <td colspan="3">CONTRACT NO. 93775</td>	DATE	CHECKED -	REVISED -		CONTRACT NO. 93775							
PLOT DATE = 7/26/2022	DATE	CHECKED -	REVISED -		FED. ROAD DIST. NO. ILLINOIS FED. AID PROJECT							

**TRANSITION HMA BASE COURSE WIDENING FROM
2'-6" AT STA. 182+50 TO 3'-0" AT STA. 183+00
LT. & RT.**

DATE	
BY	
SURVEYED	
PLOTTED	
TEMPLATE	
NOTE BOOK	
AREAS CHECKED	
NO.	

DATE	
BY	
SURVEYED	
PLOTTED	
TEMPLATE	
NOTE BOOK	
AREAS CHECKED	
NO.	



**BEGIN STONE RIPRAP DITCH
- STA. 182+00 LT.**

**BEGIN STONE RIPRAP DITCH
- STA. 182+26 RT.
PRIVATE ENTRANCE - STA. 182+10 RT.**

FILE NAME = Z:\2009 Jobs\LOCAL\Menard\09-023A C.H. 2 (Athens Blacktop) Phase 4\Segment D\CADD Sheets\09-023A-04-01.dgn
PLOT SCALE = 10.0000 "/in.
PLOT DATE = 7/26/2022

USER NAME = mfiash
DESIGNED -
CHECKED -
DATE -

REVISED -
REVISED -
REVISED -
REVISED -



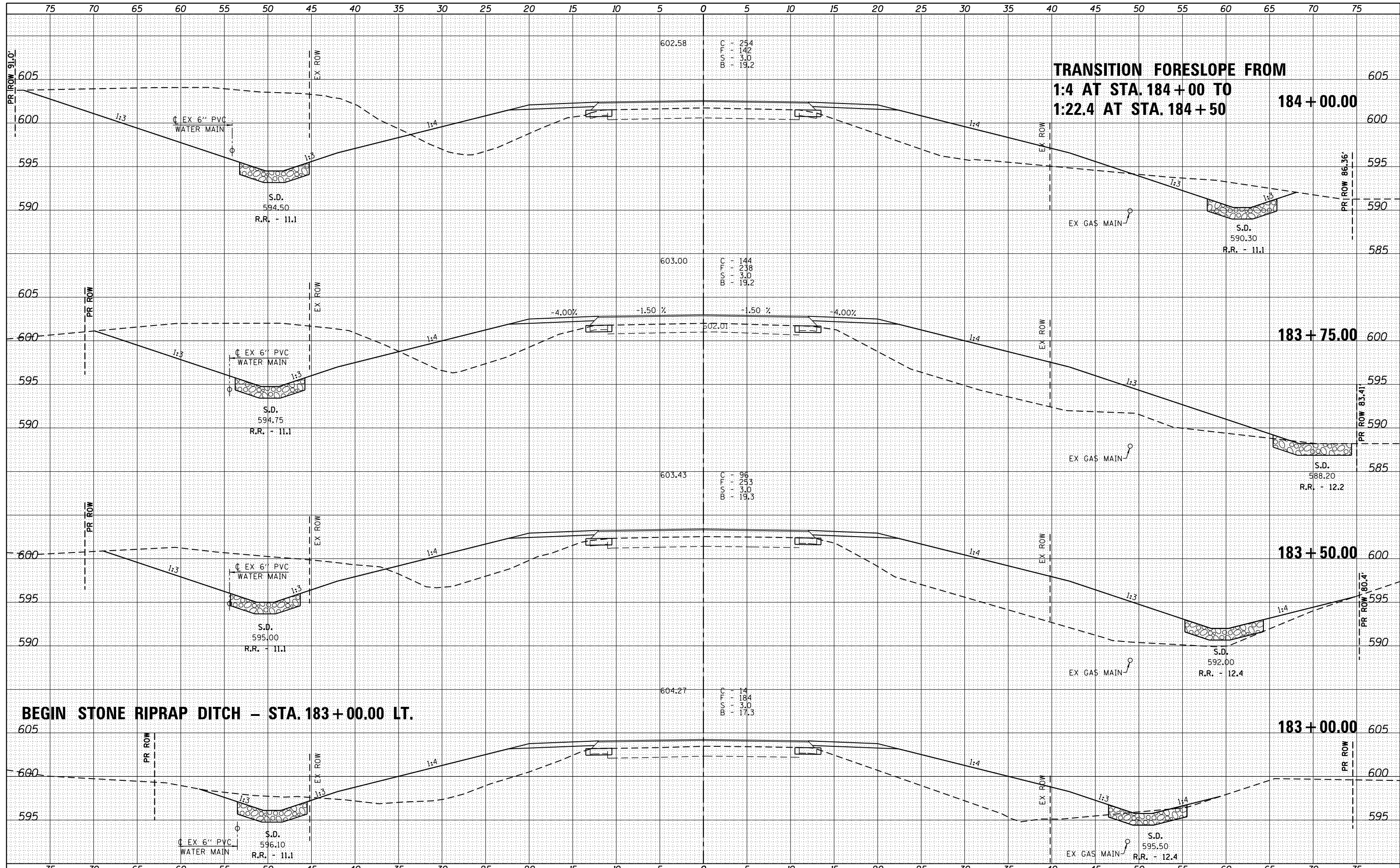
Veenstra & Kimm, Inc.
Springfield, IL. Phone: (217)544-8033
IL. Design Firm No. 184-001939

CROSS SECTIONS
SCALE: 1" = 5'
SHEET NO. 34 OF 65 SHEETS
STA. 182+00.00 TO STA. 182+50.00

F.A.S. RTE.	SECTION	COUNTY	TOTAL SHEETS	SHEET NO.
574	20-00056-08-PV	MENARD	98	67
CONTRACT NO. 93775				
FED. ROAD DIST. NO. ILLINOIS FED. AID PROJECT				

DATE	
BY	
FINAL SURVEY	
PLOTTED	
TEMPLATE	
NOTE BOOK	
AREAS CHECKED	
NO.	

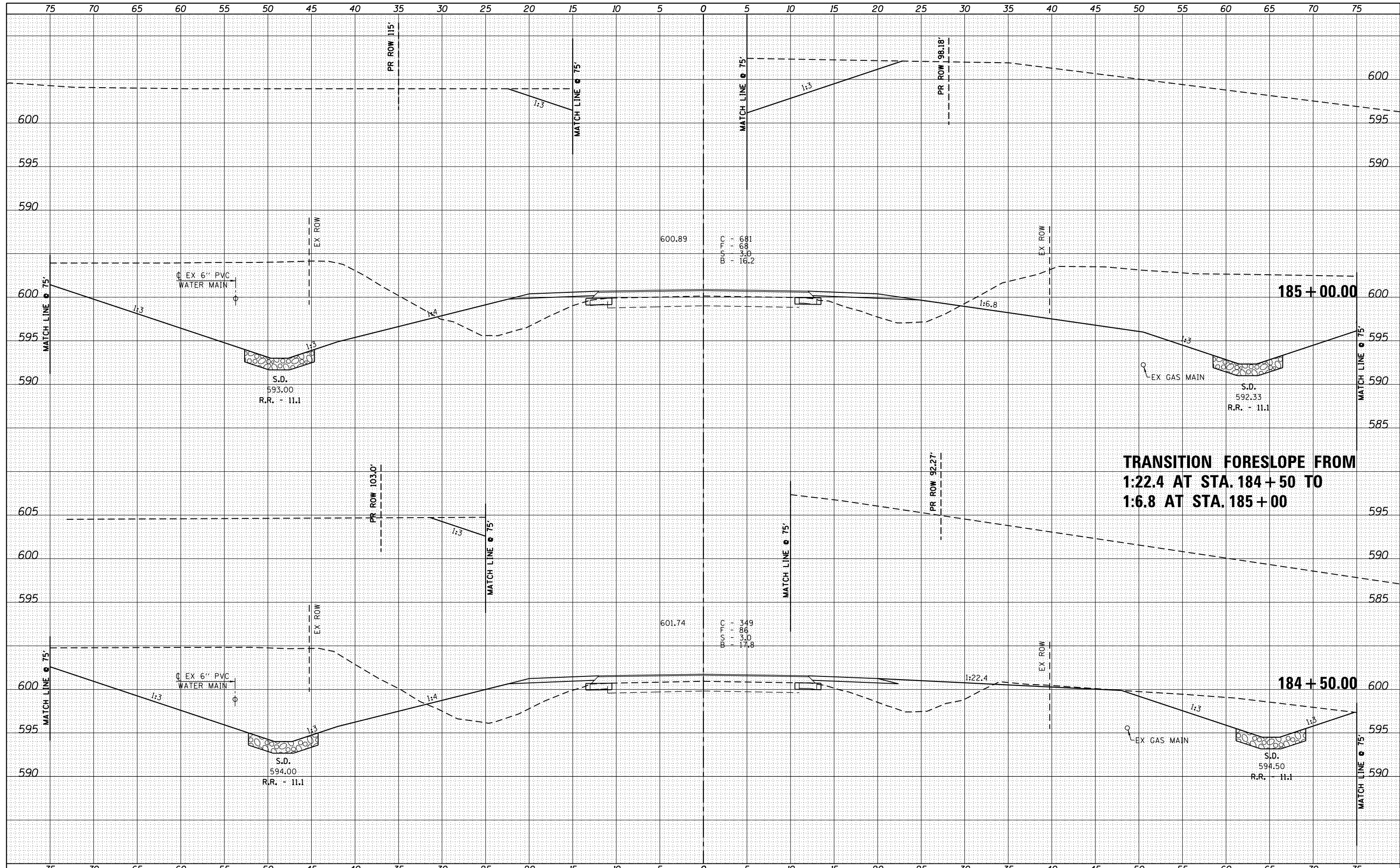
DATE	
BY	
ORIGINAL SURVEY	
PLOTTED	
TEMPLATE	
NOTE BOOK	
AREAS CHECKED	
NO.	



FILE NAME =	USER NAME = mfiash	DESIGNED -	REVISED -	Veenstra & Kimm, Inc. Springfield, IL. Phone: (217)544-8033 IL. Design Firm No. 184-001939	CROSS SECTIONS		F.A.S. RTE.	SECTION	COUNTY	TOTAL SHEETS	SHEET NO.	
Z:\2009 Jobs\LOCAL\Menard\09-023A C.H. 2 (Athens Blacktop) Phase 4\Segment D\CADD Sheets\09-023A-04-01.dgn		CHECKED -	REVISED -		SCALE: 1" = 5'	SHEET NO. 35 OF 65 SHEETS	STA. 183+00.00 TO STA. 184+00.00	574	20-00056-08-PV	MENARD	98	68
PLOT SCALE = 10.0000' / in.		DATE -	REVISED -					CONTRACT NO. 93775				
PLOT DATE = 7/26/2022								FED. ROAD DIST. NO. ILLINOIS FED. AID PROJECT				

DATE	
BY	
FINAL SURVEY	
SURVEYED	
PLOTTED	
TEMPLATE	
NOTE BOOK	
AREAS CHECKED	
NO.	

DATE	
BY	
ORIGINAL SURVEY	
SURVEYED	
PLOTTED	
TEMPLATE	
NOTE BOOK	
AREAS CHECKED	
NO.	

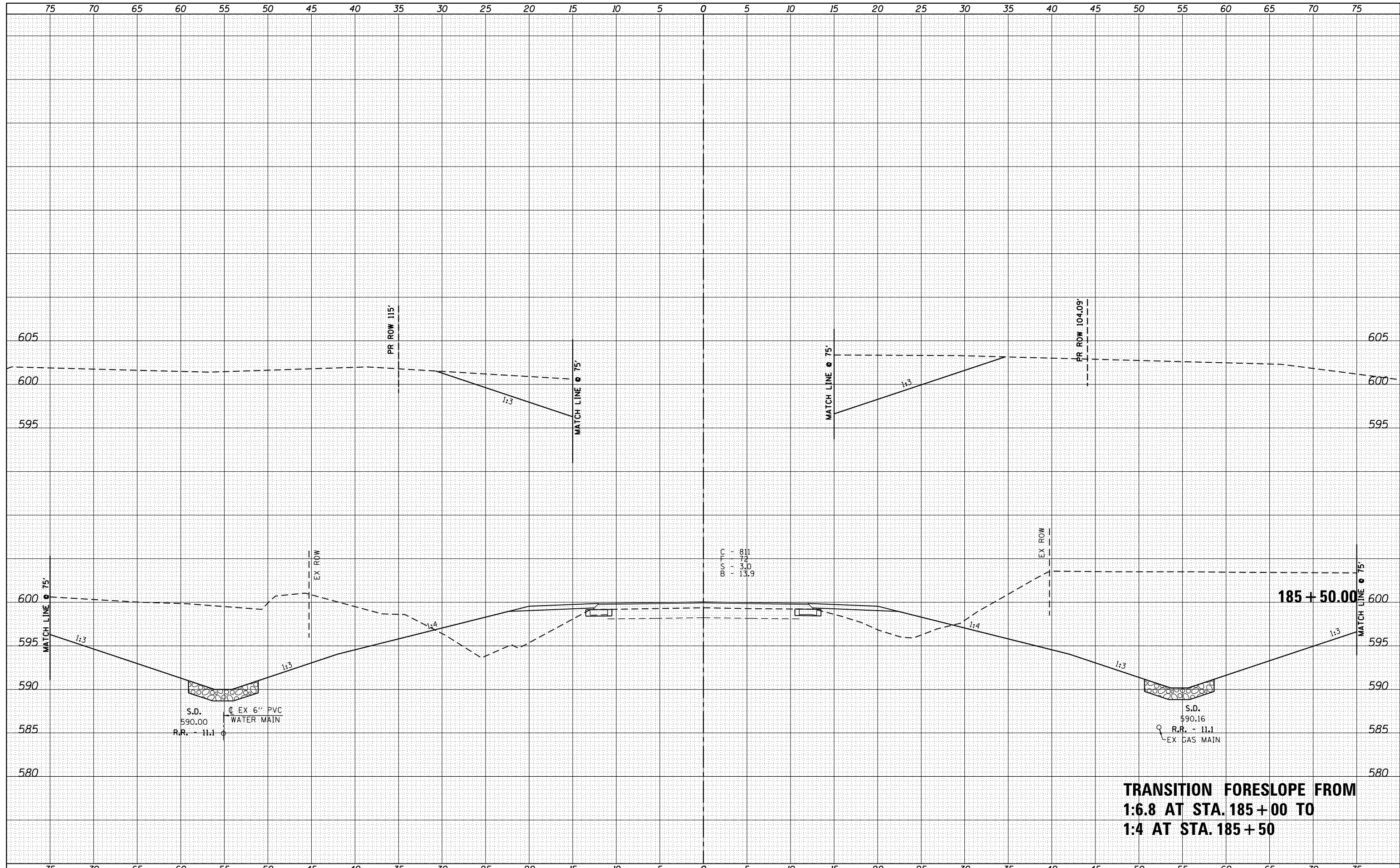


**TRANSITION FORESLOPE FROM
1:22.4 AT STA. 184 + 50 TO
1:6.8 AT STA. 185 + 00**

FILE NAME =	USER NAME = mfiouah	DESIGNED -	REVISIED -	<p>Veenstra & Kimm, Inc. Springfield, IL. Phone: (217)544-8033 IL. Design Firm No. 184-001939</p>	<p align="center">CROSS SECTIONS</p>			F.A.S. R.T.E.	SECTION	COUNTY	TOTAL SHEETS	SHEET NO.
Z:\2009 Jobs\LOCAL\Menard\09-023A C.H. 2 (Athens Blacktop) Phase 4\Segment D\CADD Sheets\09-023A-04-01.dwg	DATE	CHECKED -	REVISIED -		SCALE: 1" = 5'	SHEET NO. 36 OF 65 SHEETS	STA. 184+50.00 TO STA. 185+00.00	574	20-00056-08-PV	MENARD	98	69
PLOT SCALE = 10.0000' / in.		DATE	REVISIED -					CONTRACT NO. 93775				
PLOT DATE = 7/26/2022								FED. ROAD DIST. NO. ILLINOIS FED. AID PROJECT				

DATE	
BY	
FINAL SURVEY	SURVEYED
NOTE BOOK	PLOTTED
NO.	TEMPLATE
	AREAS CHECKED

DATE	
BY	
ORIGINAL SURVEY	SURVEYED
NOTE BOOK	PLOTTED
NO.	TEMPLATE
	AREAS CHECKED

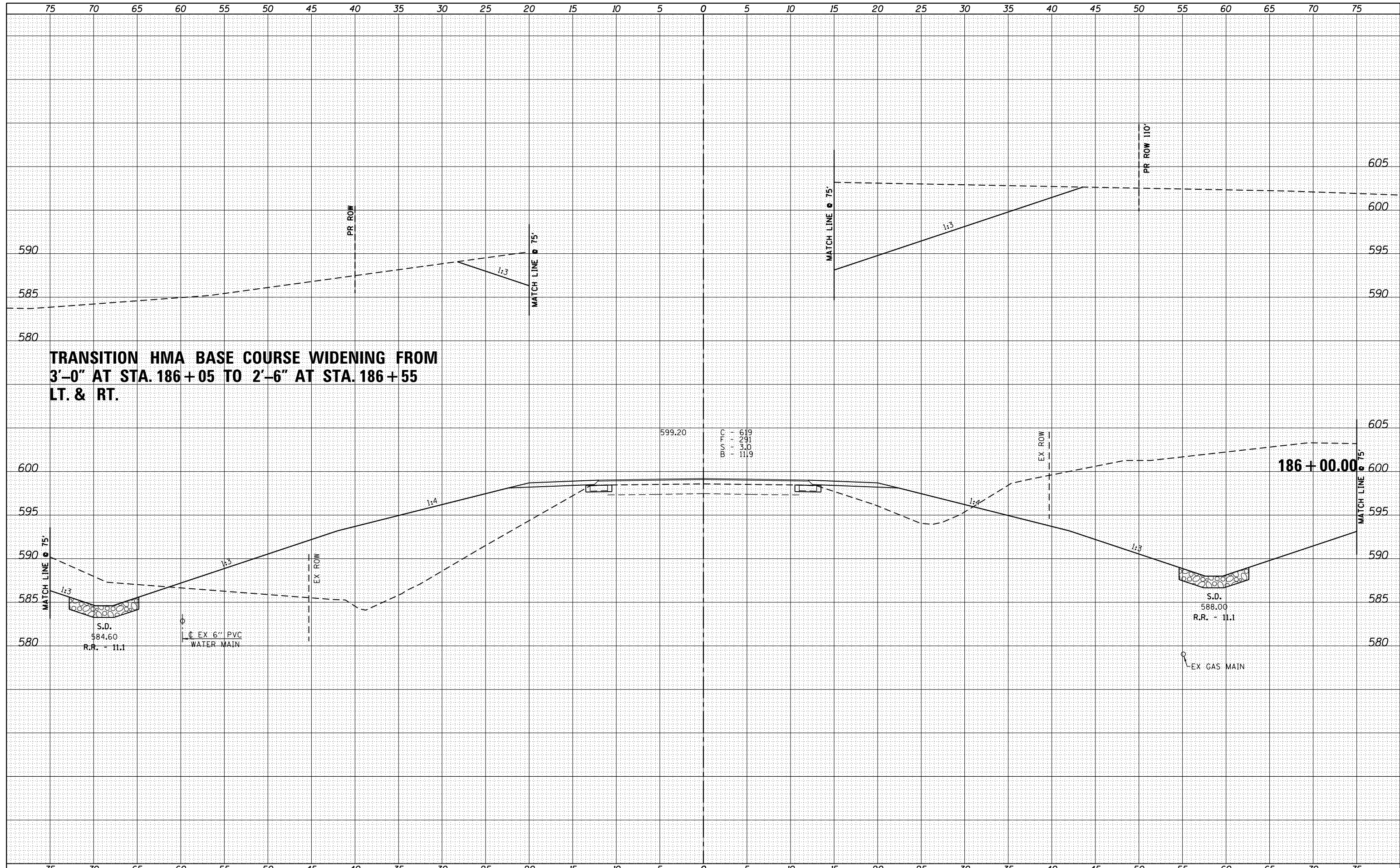


**TRANSITION FORESLOPE FROM
1:6.8 AT STA. 185+00 TO
1:4 AT STA. 185+50**

FILE NAME =	USER NAME = mfiash	DESIGNED -	REVISED -	Veenstra & Kimm, Inc. Springfield, IL. Phone: (217)544-8033 IL. Design Firm No. 184-001939	CROSS SECTIONS SCALE: 1" = 5' SHEET NO. 37 OF 65 SHEETS STA. 185+50.00 TO STA. 186+00.00		F.A.S. RTE.	SECTION	COUNTY	TOTAL SHEETS	SHEET NO.
Z:\2009 Jobs\LOCAL\Menard\09-023A C.H. 2 (Athens Blacktop) Phase 4 Segment D\CADD Sheets\09-023A-04-01.dwg	DATE	CHECKED -	REVISED -		574	20-00056-08-PV	MENARD	98	70		
PLOT SCALE = 10.0002' / in.	DATE	CHECKED -	REVISED -		CONTRACT NO. 93775						
PLOT DATE = 7/26/2022	DATE	CHECKED -	REVISED -		FED. ROAD DIST. NO. ILLINOIS FED. AID PROJECT						

DATE	
BY	
FINAL SURVEY	SURVEYED
NOTE BOOK	PLOTTED
NO.	TEMPLATE
	AREAS CHECKED

DATE	
BY	
ORIGINAL SURVEY	SURVEYED
NOTE BOOK	PLOTTED
NO.	TEMPLATE
	AREAS CHECKED

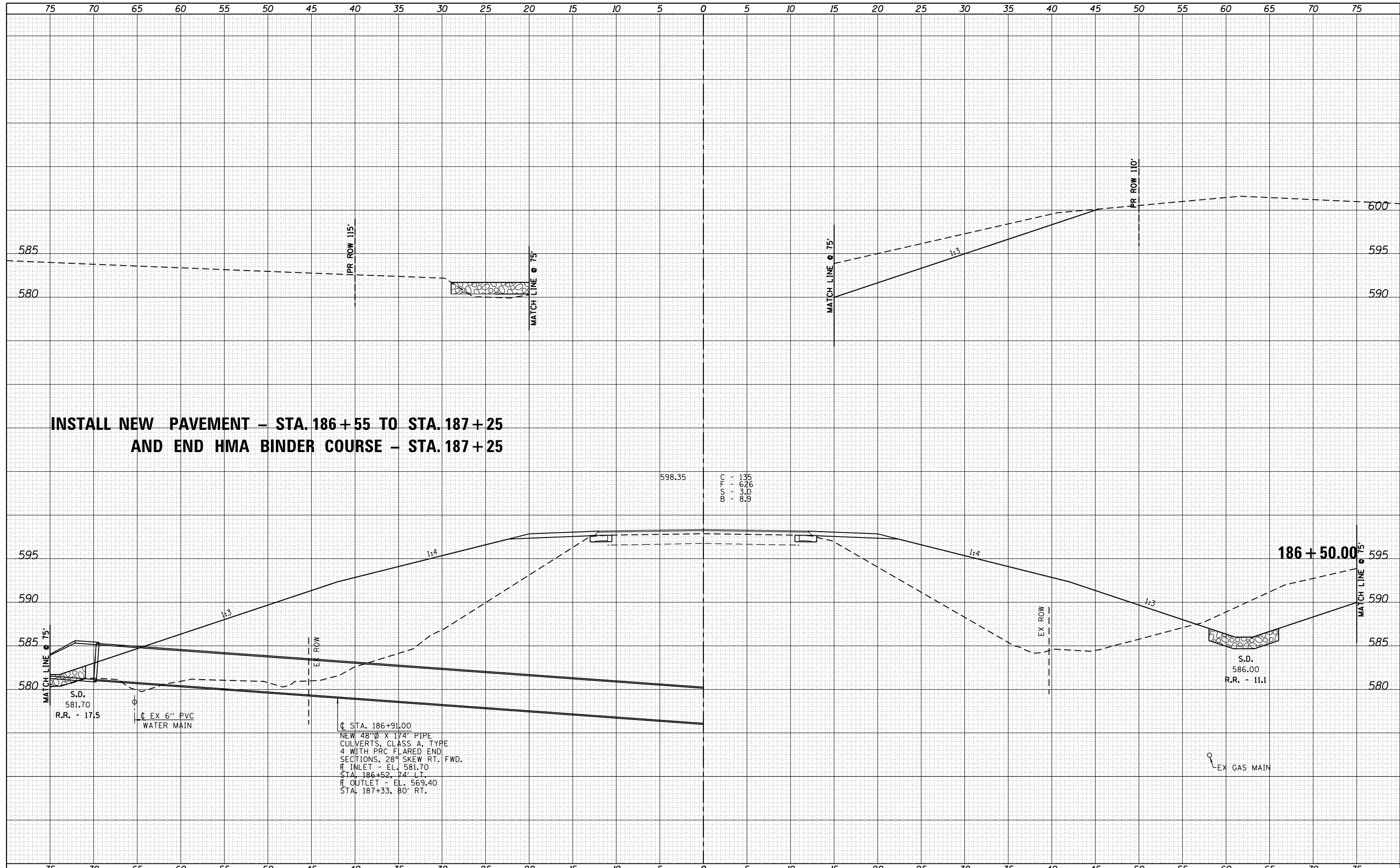


**TRANSITION HMA BASE COURSE WIDENING FROM
3'-0" AT STA. 186+05 TO 2'-6" AT STA. 186+55
LT. & RT.**

FILE NAME =	USER NAME = mfiouh	DESIGNED -	REVISD -	Veenstra & Kimm, Inc. Springfield, IL. Phone: (217)544-8033 IL. Design Firm No. 184-001939	CROSS SECTIONS SCALE: 1" = 5' SHEET NO. 38 OF 65 SHEETS STA. 186+50.00 TO STA. 186+84.14			F.A.S. RTE.	SECTION	COUNTY	TOTAL SHEETS	SHEET NO.
Z:\2009 Jobs\LOCAL\Menard\09-023A C.H. 2 (Athens Blacktop) Phase 4 Segment D\CADD Sheets\09-023A-04-01.dgn	DATE	CHECKED -	REVISD -					574	20-00056-08-PV	MENARD	98	71
PLOT SCALE = 10.0002' / in.	DATE	REVISD -	REVISD -		CONTRACT NO. 93775			ILLINOIS FED. AID PROJECT				
PLOT DATE = 7/26/2022	DATE	REVISD -	REVISD -									

DATE	
BY	
FINAL SURVEY	
SURVEYED	
PLOTTED	
TEMPLATE	
NOTE BOOK	
AREAS CHECKED	
NO.	

DATE	
BY	
ORIGINAL SURVEY	
SURVEYED	
PLOTTED	
TEMPLATE	
NOTE BOOK	
AREAS CHECKED	
NO.	



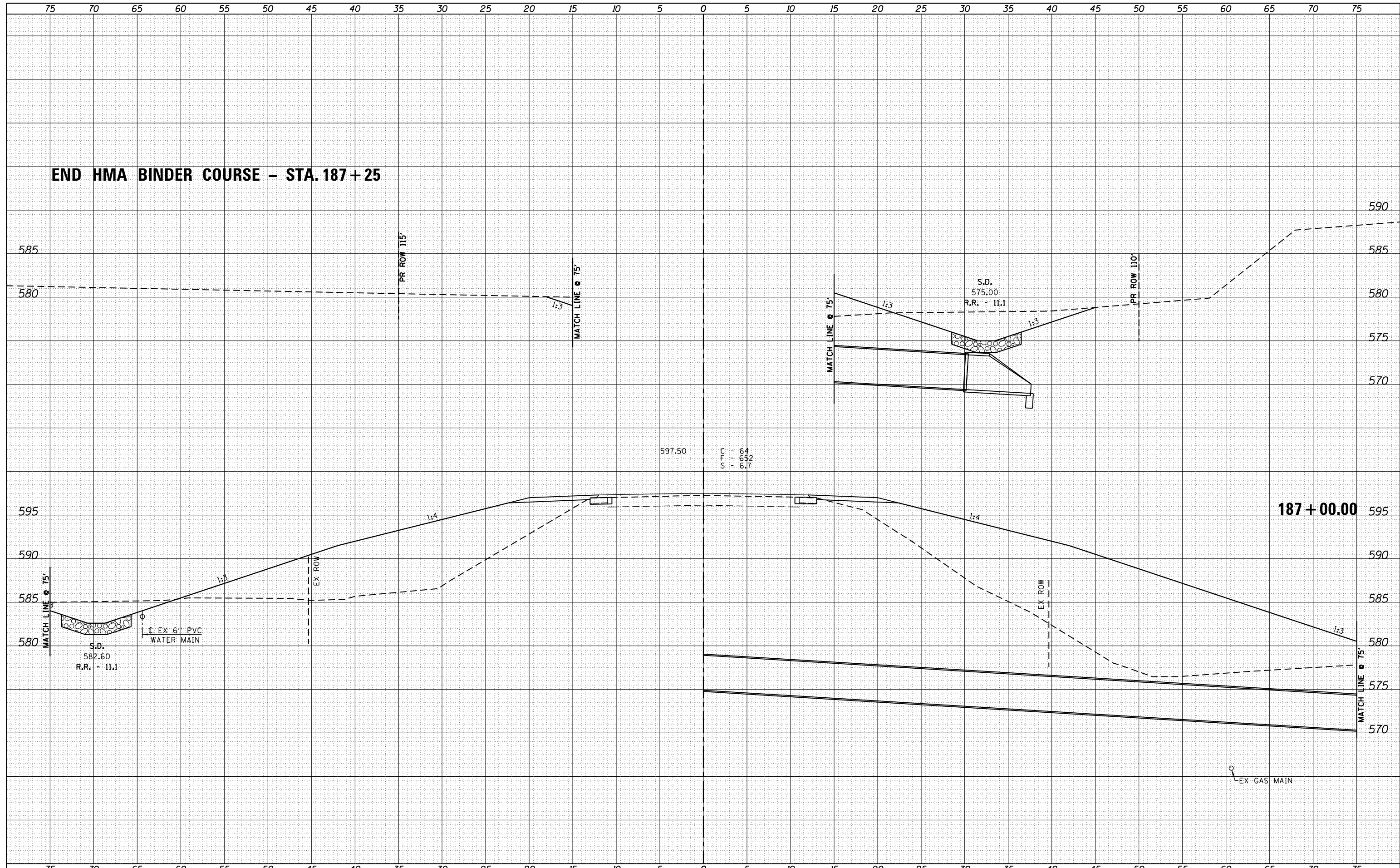
**INSTALL NEW PAVEMENT – STA. 186+55 TO STA. 187+25
AND END HMA BINDER COURSE – STA. 187+25**

STA. 186+91.00
 NEW 48" Ø X 174' PIPE
 CULVERTS, CLASS A, TYPE
 4 WITH PRC FLARED END
 SECTIONS, 28° SKEW RT. FWD.
 H INLET - EL. 581.70
 STA. 186+52, 74' LT.
 H OUTLET - EL. 569.40
 STA. 187+33, 80' RT.

FILE NAME =	USER NAME = mfiash	DESIGNED -	REVISIED -	Veenstra & Kimm, Inc. Springfield, IL. Phone: (217)544-8033 IL. Design Firm No. 184-001939	CROSS SECTIONS SCALE: 1" = 5' SHEET NO. 39 OF 65 SHEETS STA. 187+00.00 TO STA. 187+50.00		F.A.S. RTE.	SECTION	COUNTY	TOTAL SHEETS	SHEET NO.
Z:\2009 Jobs\LOCAL\Menard\09-023A C.H. 2 (Athens Blacktop) Phase 4\Segment D\CADD Sheets\09-023A-04-01.dwg	PLotted	REVISIED -	REVISIED -				574	20-00056-08-PV	MENARD	98	72
PLOT SCALE = 10.0002 "/in.	CHECKED -	REVISIED -	REVISIED -		CONTRACT NO. 93775						
PLOT DATE = 7/26/2022	DATE -	REVISIED -	REVISIED -		FED. ROAD DIST. NO. ILLINOIS FED. AID PROJECT						

DATE	
BY	
FINAL SURVEY	
SURVEYED	
PLOTTED	
TEMPLATE	
NOTE BOOK	
AREAS CHECKED	
NO.	

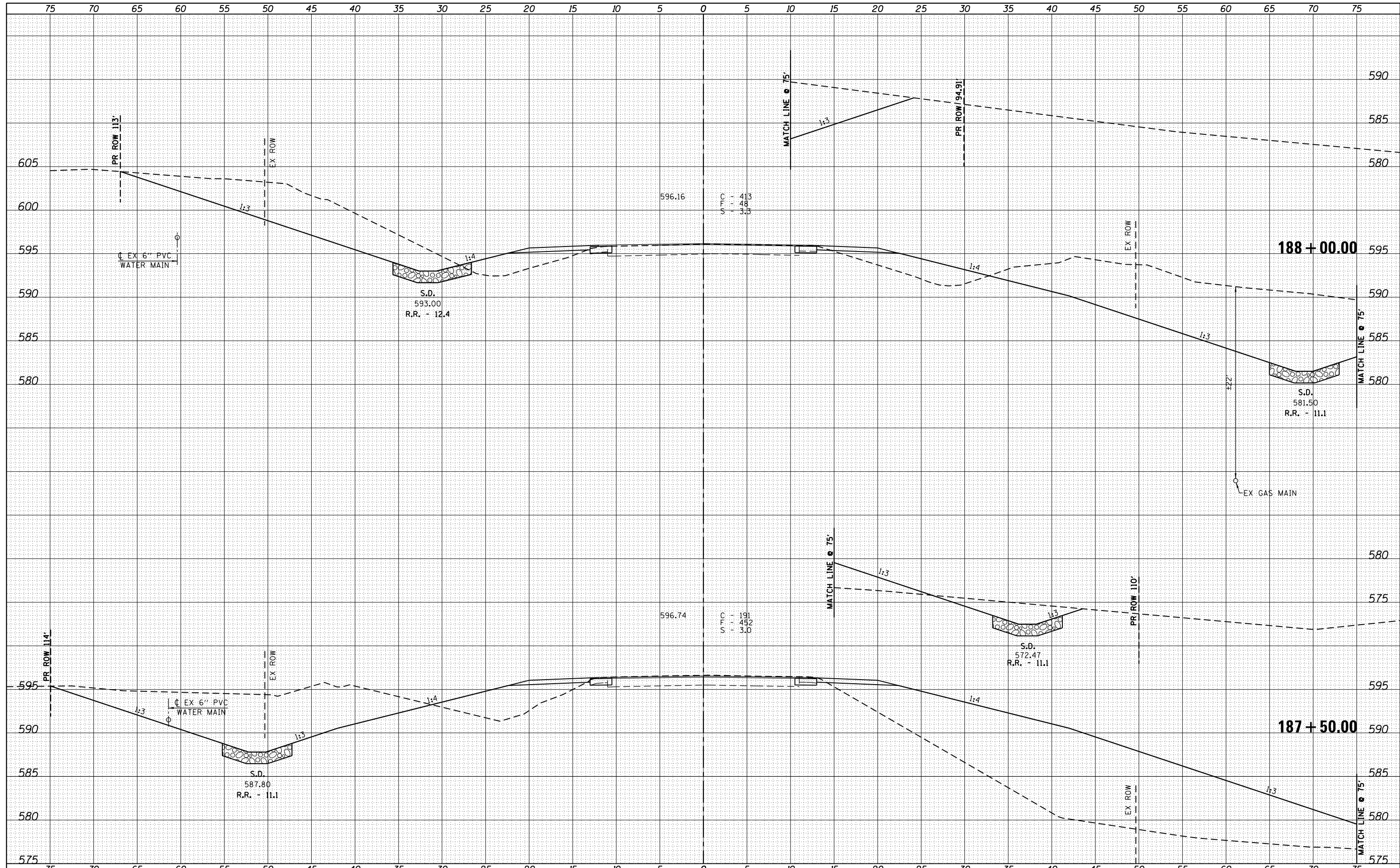
DATE	
BY	
ORIGINAL SURVEY	
SURVEYED	
PLOTTED	
TEMPLATE	
NOTE BOOK	
AREAS CHECKED	
NO.	



FILE NAME =	USER NAME = mfiouh	DESIGNED -	REVISÉ -	Veenstra & Kimm, Inc. Springfield, IL. Phone: (217)544-8033 IL. Design Firm No. 184-001939	CROSS SECTIONS SCALE: 1" = 5' SHEET NO. 40 OF 65 SHEETS STA. 188+00.00 TO STA. 188+50.00		F.A.S. RTE.	SECTION	COUNTY	TOTAL SHEETS	SHEET NO.
Z:\2009 Jobs\LOCAL\Menard\09-023A C.H. 2 (Athens Blacktop) Phase 4\Segment D\CADD Sheets\09-023A-04-01.dwg	DRAWN	REVISÉ -	REVISÉ -				574	20-00056-08-PV	MENARD	98	73
PLOT SCALE = 10.0002' / in.	CHECKED -	REVISÉ -	REVISÉ -		CONTRACT NO. 93775						
PLOT DATE = 7/26/2022	DATE -	REVISÉ -	REVISÉ -		FED. ROAD DIST. NO. ILLINOIS FED. AID PROJECT						

DATE	
BY	
FINAL SURVEY	SURVEYED
NOTE BOOK	PLOTTED
NO.	TEMPLATE
	AREAS CHECKED

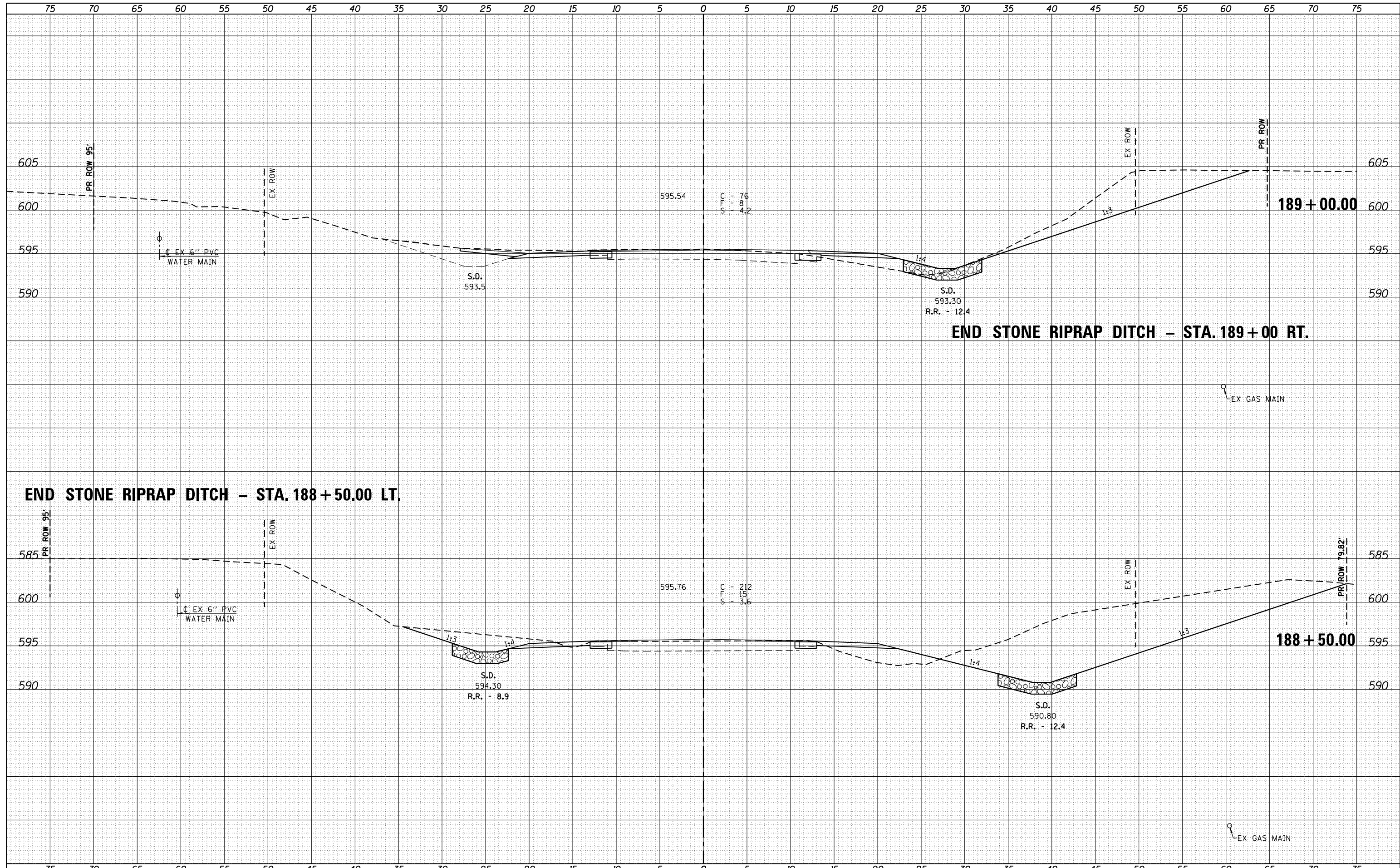
DATE	
BY	
ORIGINAL SURVEY	SURVEYED
NOTE BOOK	PLOTTED
NO.	TEMPLATE
	AREAS CHECKED



FILE NAME =	USER NAME = mfiash	DESIGNED -	REVISIED -	Veenstra & Kimm, Inc. Springfield, IL. Phone: (217)544-8033 IL. Design Firm No. 184-001939	CROSS SECTIONS SCALE: 1" = 5' SHEET NO. 41 OF 65 SHEETS STA. 189+00.00 TO STA. 189+07.81		F.A.S. R.T.E.	SECTION	COUNTY	TOTAL SHEETS	SHEET NO.
Z:\2009 Jobs\LOCAL\Menard\09-023A C.H. 2 (Athens Blacktop) Phase 4 Segment D\CADD Sheets\09-023A.dgn	DRAWN	REVISIED -	REVISIED -				574	20-00056-08-PV	MENARD	98	74
PLOT SCALE = 10.0000 "/in.	CHECKED -	REVISIED -	REVISIED -		CONTRACT NO. 93775						
PLOT DATE = 7/26/2022	DATE -	REVISIED -	REVISIED -		FED. ROAD DIST. NO. ILLINOIS FED. AID PROJECT						

DATE	
BY	
FINAL SURVEY	
SURVEYED	
PLOTTED	
TEMPLATE	
NOTE BOOK	
AREAS CHECKED	
NO.	

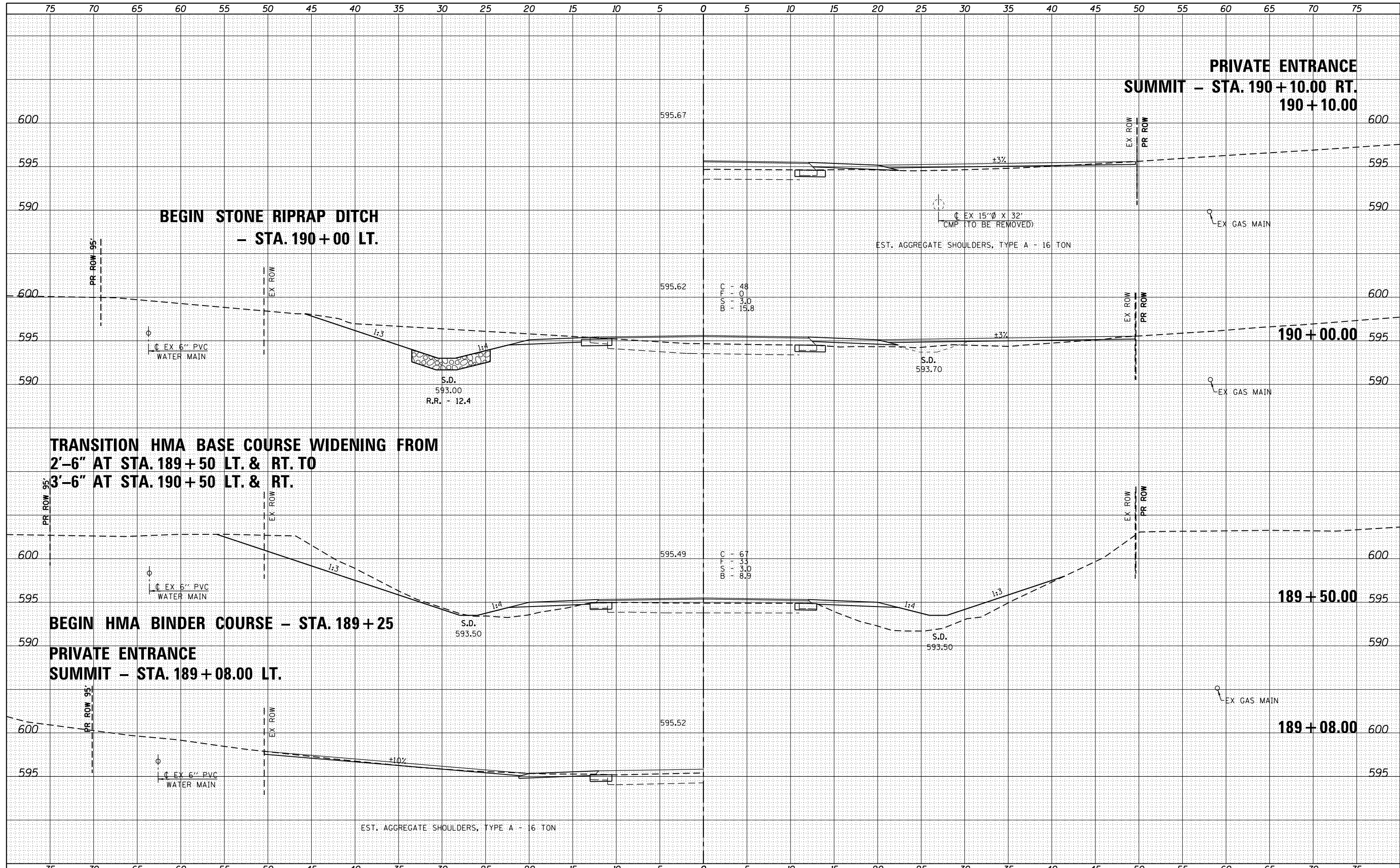
DATE	
BY	
ORIGINAL SURVEY	
SURVEYED	
PLOTTED	
TEMPLATE	
NOTE BOOK	
AREAS CHECKED	
NO.	



FILE NAME =	USER NAME = mfiouh	DESIGNED -	REVISED -	Veenstra & Kimm, Inc. Springfield, IL. Phone: (217)544-8033 IL. Design Firm No. 184-001939	CROSS SECTIONS SCALE: 1" = 5' SHEET NO. 42 OF 65 SHEETS STA. 189+50.00 TO STA. 190+00.00		F.A.S. RTE.	SECTION	COUNTY	TOTAL SHEETS	SHEET NO.
Z:\2009 Jobs\LOCAL\Menard\09-023A C.H. 2 (Athens Blacktop) Phase 4\Segment D\CADD Sheets\09-023A-04-01.dwg	DRAWN	REVISED -	REVISED -				574	20-00056-08-PV	MENARD	98	75
PLOT SCALE = 10.0000' / in.	CHECKED -	REVISED -	REVISED -		CONTRACT NO. 93775						
PLOT DATE = 7/26/2022	DATE -	REVISED -	REVISED -		FED. ROAD DIST. NO. ILLINOIS FED. AID PROJECT						

DATE	
BY	
FINAL SURVEY	
PLOTTED	
TEMPLATE	
NOTE BOOK	
AREAS CHECKED	
NO.	

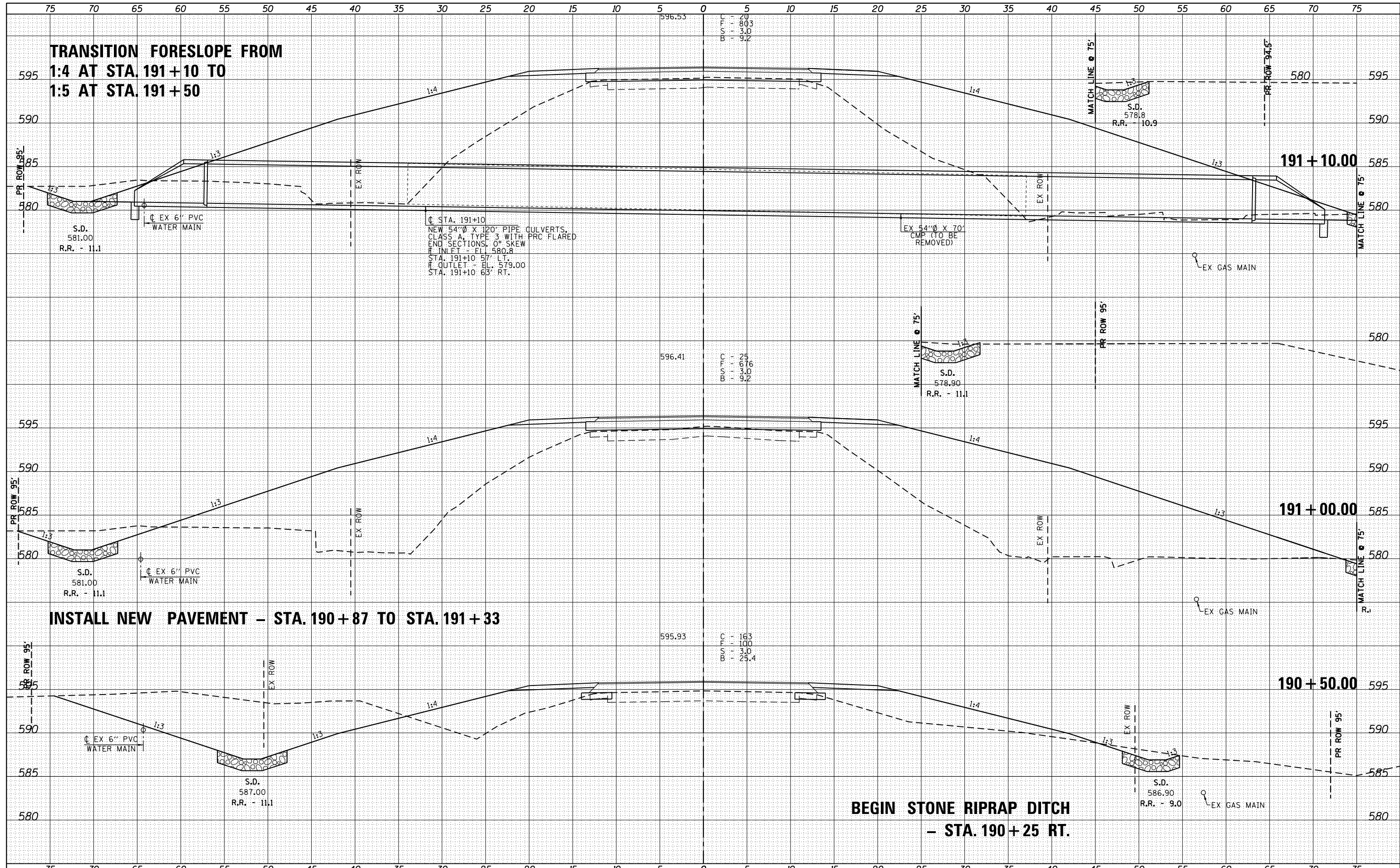
DATE	
BY	
ORIGINAL SURVEY	
PLOTTED	
TEMPLATE	
NOTE BOOK	
AREAS CHECKED	
NO.	



FILE NAME =	USER NAME = mfish	DESIGNED -	REVISED -	Veenstra & Kimm, Inc. Springfield, IL. Phone: (217)544-8033 IL. Design Firm No. 184-001939	CROSS SECTIONS SCALE: 1" = 5' SHEET NO. 53 OF 65 SHEETS STA. 190+10.06 TO STA. 190+50.00			F.A.S. RTE.	SECTION	COUNTY	TOTAL SHEETS	SHEET NO.
Z:\2009 Jobs\LOCAL\Menard\09-023A C.H. 2 (Athens Blacktop) Phase 4\Segment D\CADD Sheets\09-023A.dgn	PLOTTED	CHECKED -	REVISED -					574	20-00056-08-PV	MENARD	98	76
PLOT SCALE = 10.0000 "/td> <td>NO.</td> <td>DATE -</td> <td>REVISED -</td> <td colspan="4">CONTRACT NO. 93775</td>	NO.	DATE -	REVISED -		CONTRACT NO. 93775							
PLOT DATE = 7/26/2022					FED. ROAD DIST. NO. ILLINOIS FED. AID PROJECT							

DATE	
BY	
FINAL SURVEY	SURVEYED
NOTE BOOK	PLOTTED
NO.	TEMPLATE
	AREAS CHECKED

DATE	
BY	
ORIGINAL SURVEY	SURVEYED
NOTE BOOK	PLOTTED
NO.	TEMPLATE
	AREAS CHECKED



FILE NAME = Z:\2009 Jobs\LOCAL\Menard\09-023A C.H. 2 (Athens Blacktop) Phase 4 Segment D\CADD Sheets\09-023A.dgn
 PLOT SCALE = 10.0000 "/in.
 PLOT DATE = 7/26/2022

USER NAME = mfiash	DESIGNED -	REVISED -
DRAWN -	CHECKED -	REVISED -
	DATE -	REVISED -



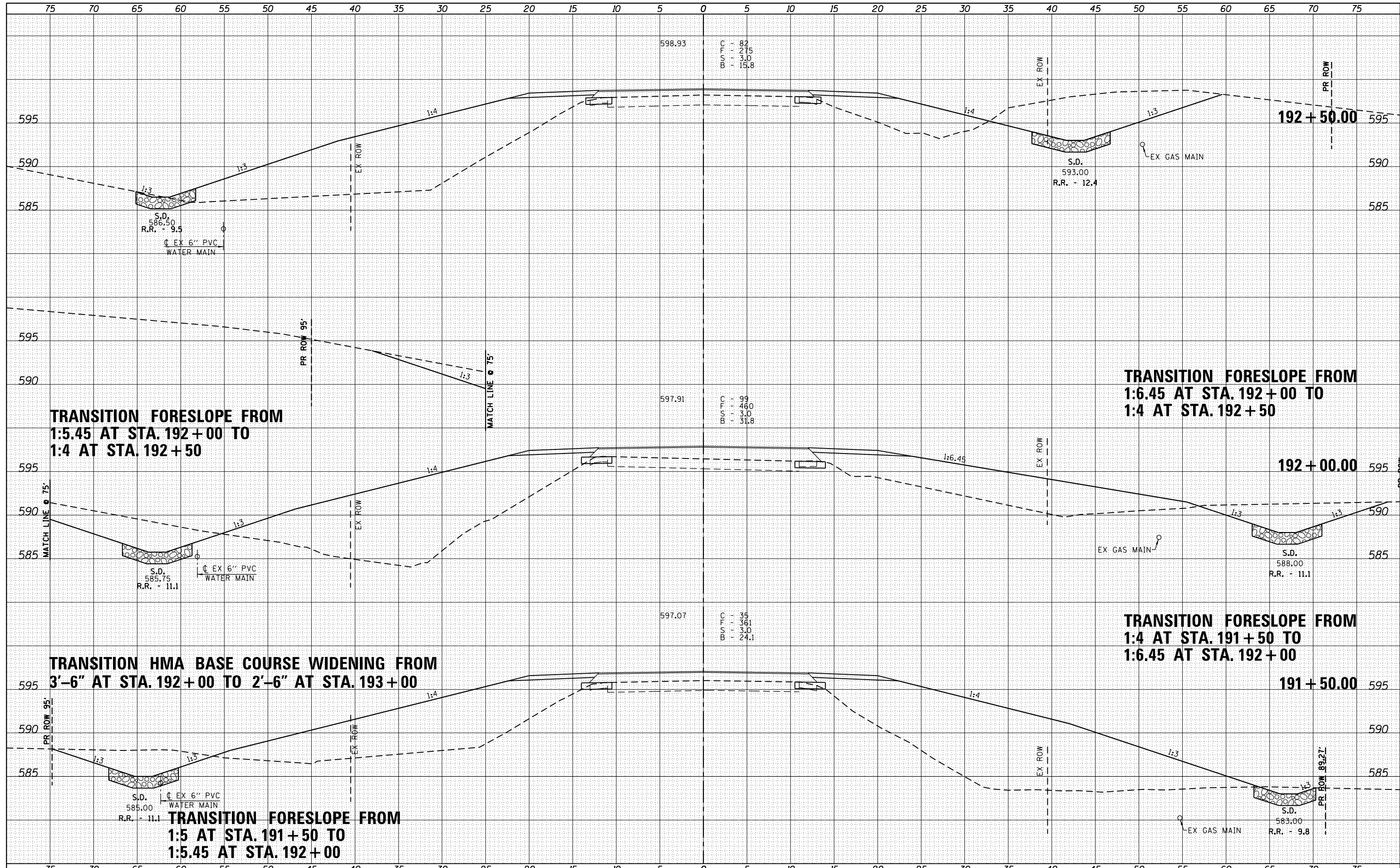
Veenstra & Kimm, Inc.
 Springfield, IL. Phone: (217)544-8033
 IL. Design Firm No. 184-001939

CROSS SECTIONS	
SCALE: 1" = 5'	SHEET NO. 44 OF 65 SHEETS
STA. 191+00.00	TO STA. 191+02.88

F.A.S. RTE.	SECTION	COUNTY	TOTAL SHEETS	SHEET NO.
574	20-00056-08-PV	MENARD	98	77
CONTRACT NO. 93775				
FED. ROAD DIST. NO. ILLINOIS FED. AID PROJECT				

DATE	
BY	
FINAL SURVEY	
SURVEYED	
PLOTTED	
TEMPLATE	
NOTE BOOK	
AREAS CHECKED	
NO.	

DATE	
BY	
ORIGINAL SURVEY	
SURVEYED	
PLOTTED	
TEMPLATE	
NOTE BOOK	
AREAS CHECKED	
NO.	



**TRANSITION FORESLOPE FROM
1:5.45 AT STA. 192+00 TO
1:4 AT STA. 192+50**

**TRANSITION FORESLOPE FROM
1:6.45 AT STA. 192+00 TO
1:4 AT STA. 192+50**

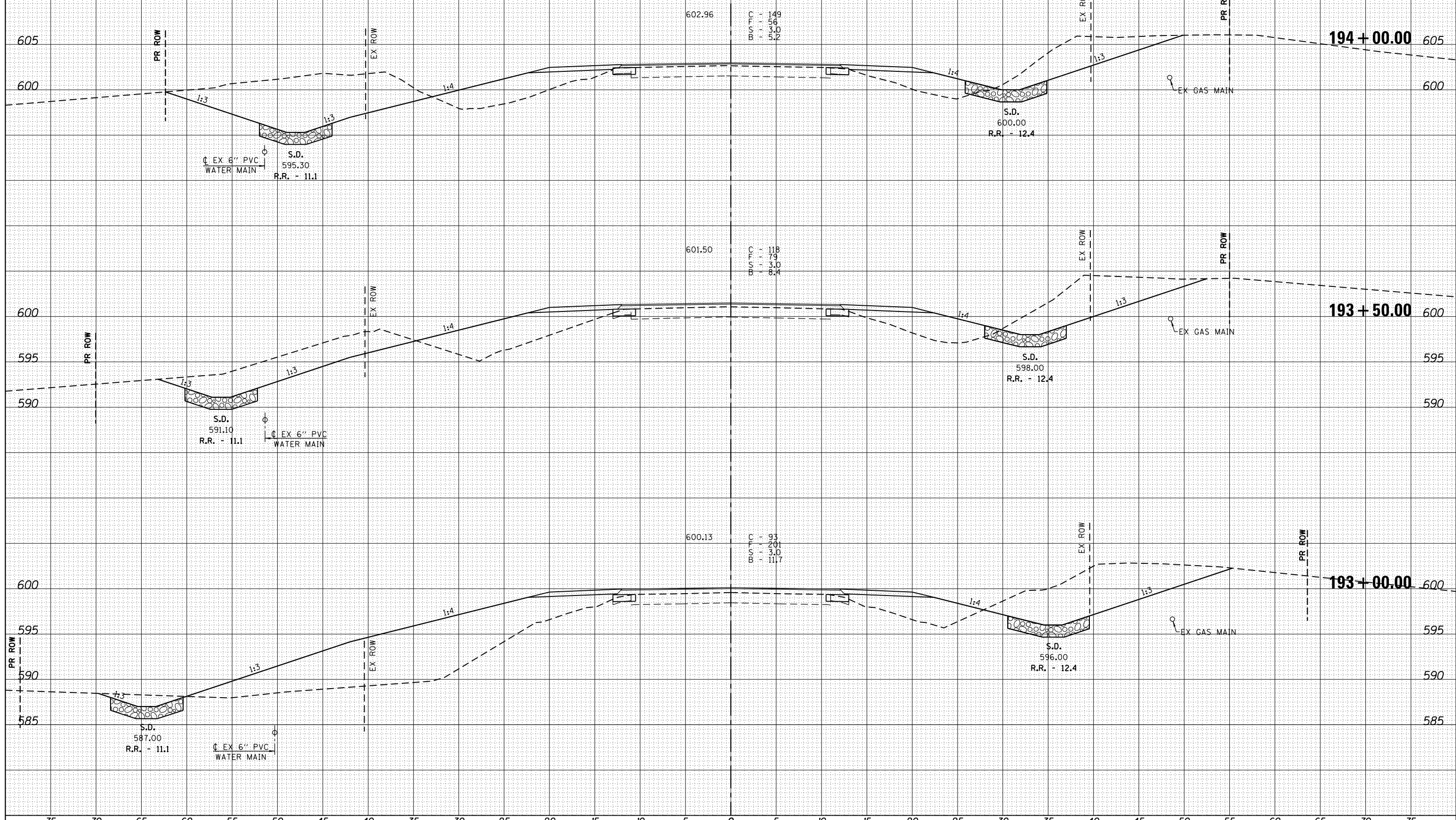
**TRANSITION HMA BASE COURSE WIDENING FROM
3'-6" AT STA. 192+00 TO 2'-6" AT STA. 193+00**

**TRANSITION FORESLOPE FROM
1:4 AT STA. 191+50 TO
1:6.45 AT STA. 192+00**

**TRANSITION FORESLOPE FROM
1:5 AT STA. 191+50 TO
1:5.45 AT STA. 192+00**

FILE NAME =	USER NAME = mfiash	DESIGNED -	REVISED -	<p>Veenstra & Kimm, Inc. Springfield, IL. Phone: (217)544-8033 IL. Design Firm No. 184-001939</p>	CROSS SECTIONS			F.A.S. RTE.	SECTION	COUNTY	TOTAL SHEETS	SHEET NO.
Z:\2009 Jobs\LOCAL\Menard\09-023A C.H. 2 (Athens Blacktop) Phase 4\Segment D\CADD Sheets\09-023A-04-01.dgn		CHECKED -	REVISED -		SCALE: 1" = 5'	SHEET NO. 45 OF 65 SHEETS	STA. 191+50.00 TO STA. 192+50.00	574	20-00056-08-PV	MENARD	98	78
PLOT SCALE = 10.0000 "/in.		DATE -	REVISED -					CONTRACT NO. 93775				
PLOT DATE = 7/26/2022								FED. ROAD DIST. NO. ILLINOIS FED. AID PROJECT				

END HMA BINDER COURSE - STA. 194+35



DATE	BY
ORIGINAL SURVEY	SURVEYED
NOTE BOOK	PLOTTED
NO.	TEMPLATE
	AREAS
	CHECKED

DATE	BY
ORIGINAL SURVEY	SURVEYED
NOTE BOOK	PLOTTED
NO.	TEMPLATE
	AREAS
	CHECKED

FILE NAME =	USER NAME = mfiash	DESIGNED -	REVISED -	F.A.S. RTE.	SECTION	COUNTY	TOTAL SHEETS	SHEET NO.
Z:\2009 Jobs\LOCAL\Menard\09-023A C.H. 2 (Athens Blacktop) Phase 4\Segment D\CADD Sheets\09-023A-04-01.dgn		BLACKTOP	REVIS	574	20-00056-08-PV	MENARD	98	79
PLOT SCALE = 10.0000' / in.	CHECKED -	REVIS	REVIS	CONTRACT NO. 93775				
PLOT DATE = 7/26/2022	DATE -	REVIS	REVIS	FED. ROAD DIST. NO. ILLINOIS FED. AID PROJECT				



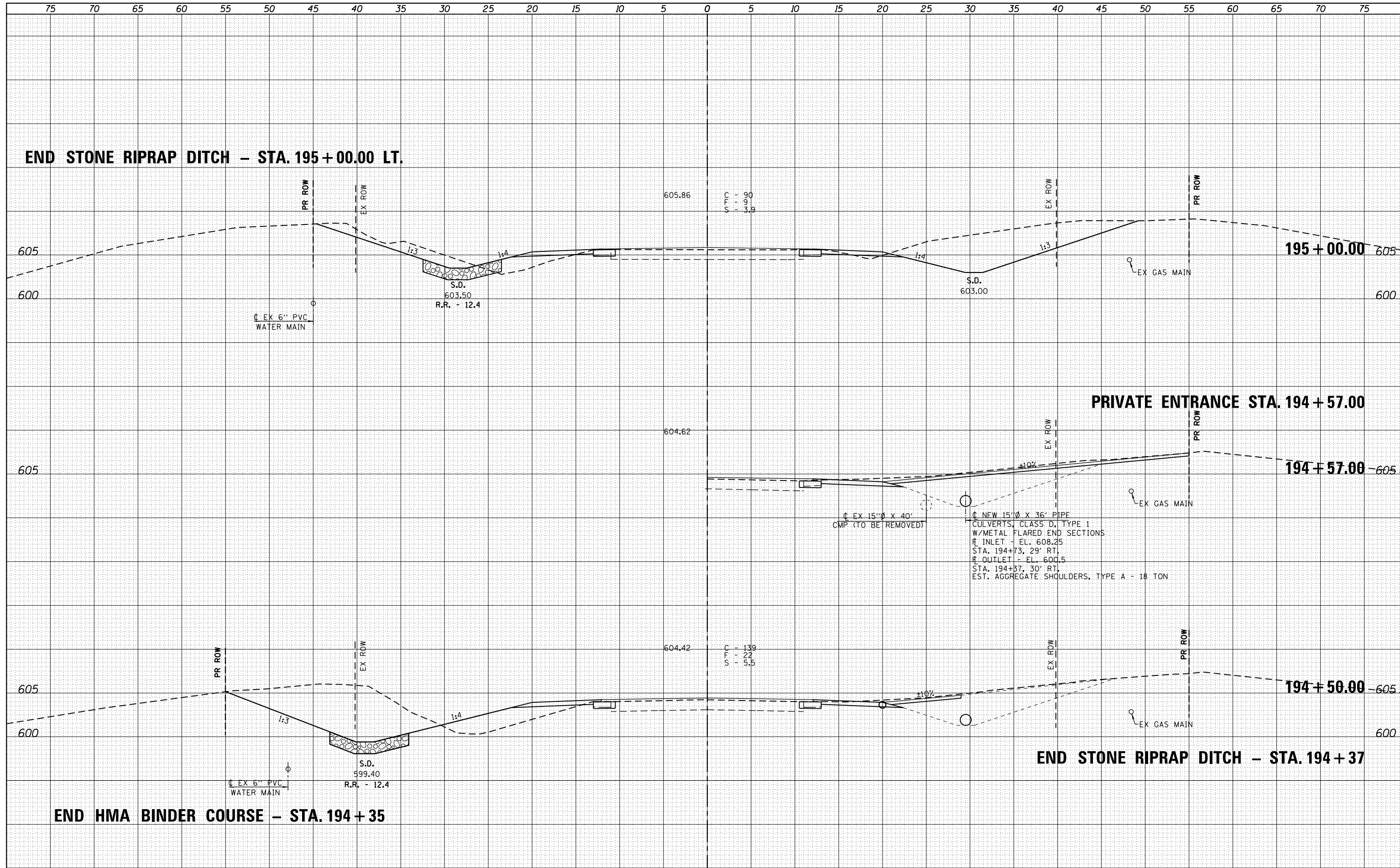
Veenstra & Kimm, Inc.
 Springfield, IL. Phone: (217)544-8033
 IL. Design Firm No. 184-001939

CROSS SECTIONS

SCALE: 1" = 5' SHEET NO. 36 OF 65 SHEETS STA. 193+00.00 TO STA. 194+00.00

DATE	
BY	
SURVEYED	
PLOTTED	
TEMPLATE	
NOTE BOOK	
AREAS CHECKED	
NO.	

DATE	
BY	
SURVEYED	
PLOTTED	
TEMPLATE	
NOTE BOOK	
AREAS CHECKED	
NO.	



FILE NAME = Z:\2009 Jobs\LOCAL\Menard\09-023A C.H. 2 (Athens Blacktop) Phase 4 Segment D\CADD Sheets\09-023A-04-01.dwg
 PLOT SCALE = 10.0000 "/>

USER NAME = mfiash
 DESIGNED -
 CHECKED -
 DATE -

REVISED -
 REVISED -
 REVISED -
 REVISED -



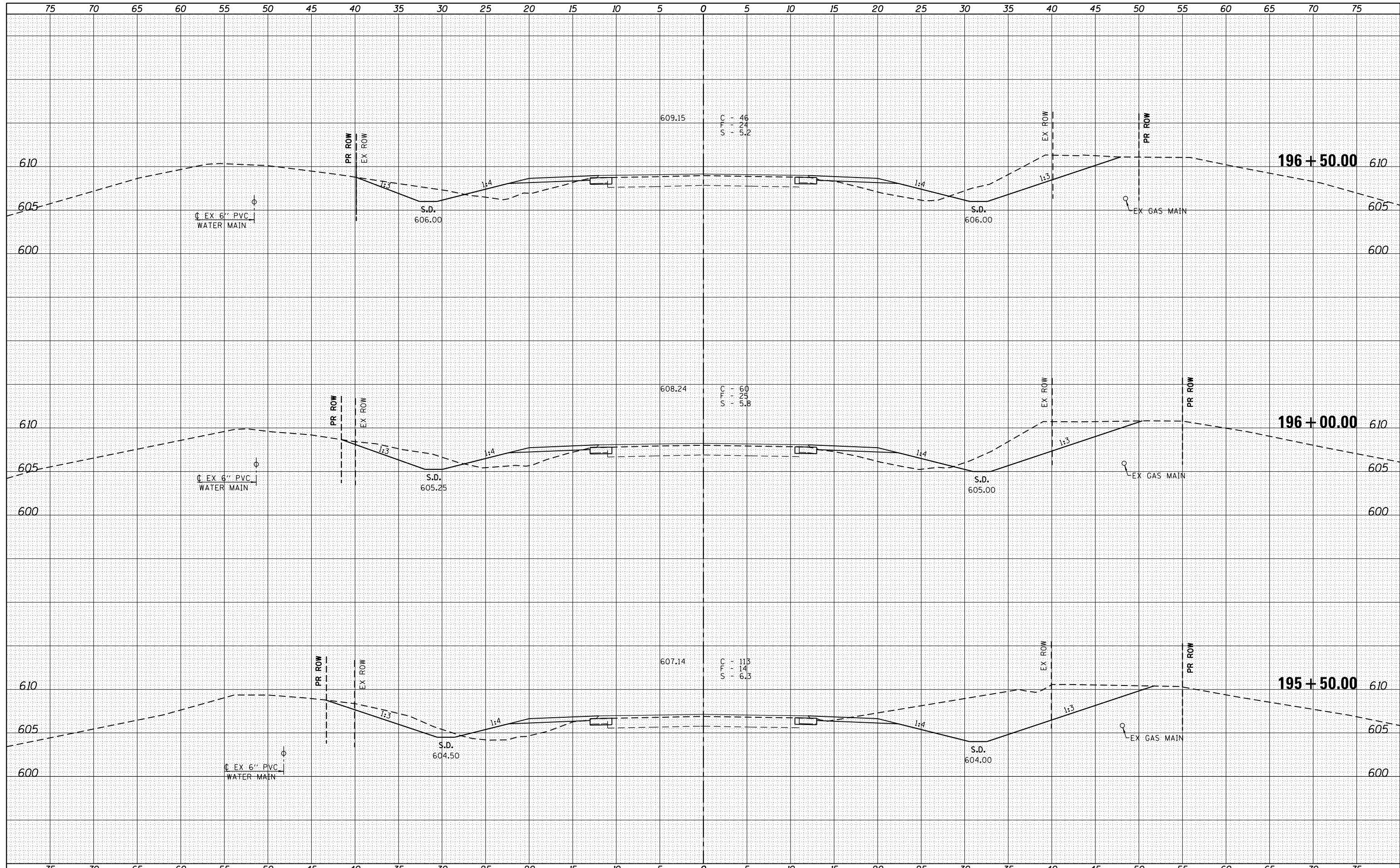
Veenstra & Kimm, Inc.
 Springfield, IL. Phone: (217)544-8033
 IL. Design Firm No. 184-001939

CROSS SECTIONS
 SCALE: 1" = 5'
 SHEET NO. 37 OF 65 SHEETS
 STA. 194+50.00 TO STA. 195+00.00

F.A.S. RTE.	SECTION	COUNTY	TOTAL SHEETS	SHEET NO.
574	20-00056-08-PV	MENARD	98	80
CONTRACT NO. 93775				
FED. ROAD DIST. NO. ILLINOIS FED. AID PROJECT				

DATE	
BY	
FINAL SURVEY	SURVEYED
NOTE BOOK	PLOTTED
NO.	TEMPLATE
	AREAS CHECKED

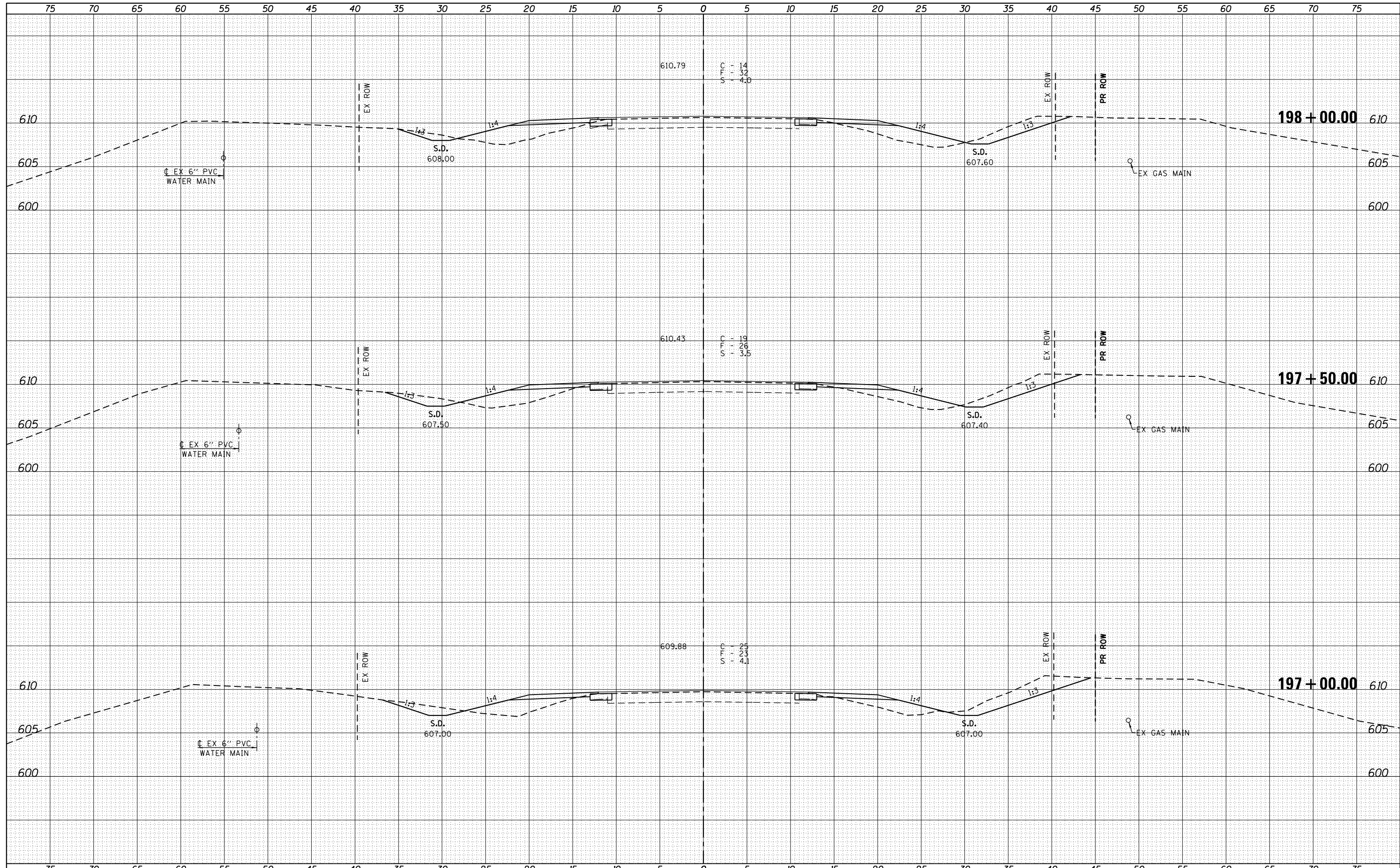
DATE	
BY	
ORIGINAL SURVEY	SURVEYED
NOTE BOOK	PLOTTED
NO.	TEMPLATE
	AREAS CHECKED



FILE NAME =	USER NAME = mfiash	DESIGNED -	REVISED -	Veenstra & Kimm, Inc. Springfield, IL. Phone: (217)544-8033 IL. Design Firm No. 184-001939	CROSS SECTIONS SCALE: 1" = 5' SHEET NO. 48 OF 65 SHEETS STA. 195+50.00 TO STA. 196+50.00		F.A.S. RTE.	SECTION	COUNTY	TOTAL SHEETS	SHEET NO.
Z:\2009 Jobs\LOCAL\Menard\09-023A C.H. 2 (Athens Blacktop) Phase 4\Segment D\CADD Sheets\09-023A-04-01.dwg	DRAWN	REVISOR	REVISION				574	20-00056-08-PV	MENARD	98	81
PLOT SCALE = 10.0000 "/td> <td>CHECKED -</td> <td>REVISOR</td> <td>REVISION</td> <td colspan="3">CONTRACT NO. 93775</td>	CHECKED -	REVISOR	REVISION		CONTRACT NO. 93775						
PLOT DATE = 7/26/2022	DATE -	REVISOR	REVISION		FED. ROAD DIST. NO. ILLINOIS FED. AID PROJECT						

DATE	
BY	
FINAL SURVEY	SURVEYED
NOTE BOOK	PLOTTED
NO.	TEMPLATE
	AREAS CHECKED

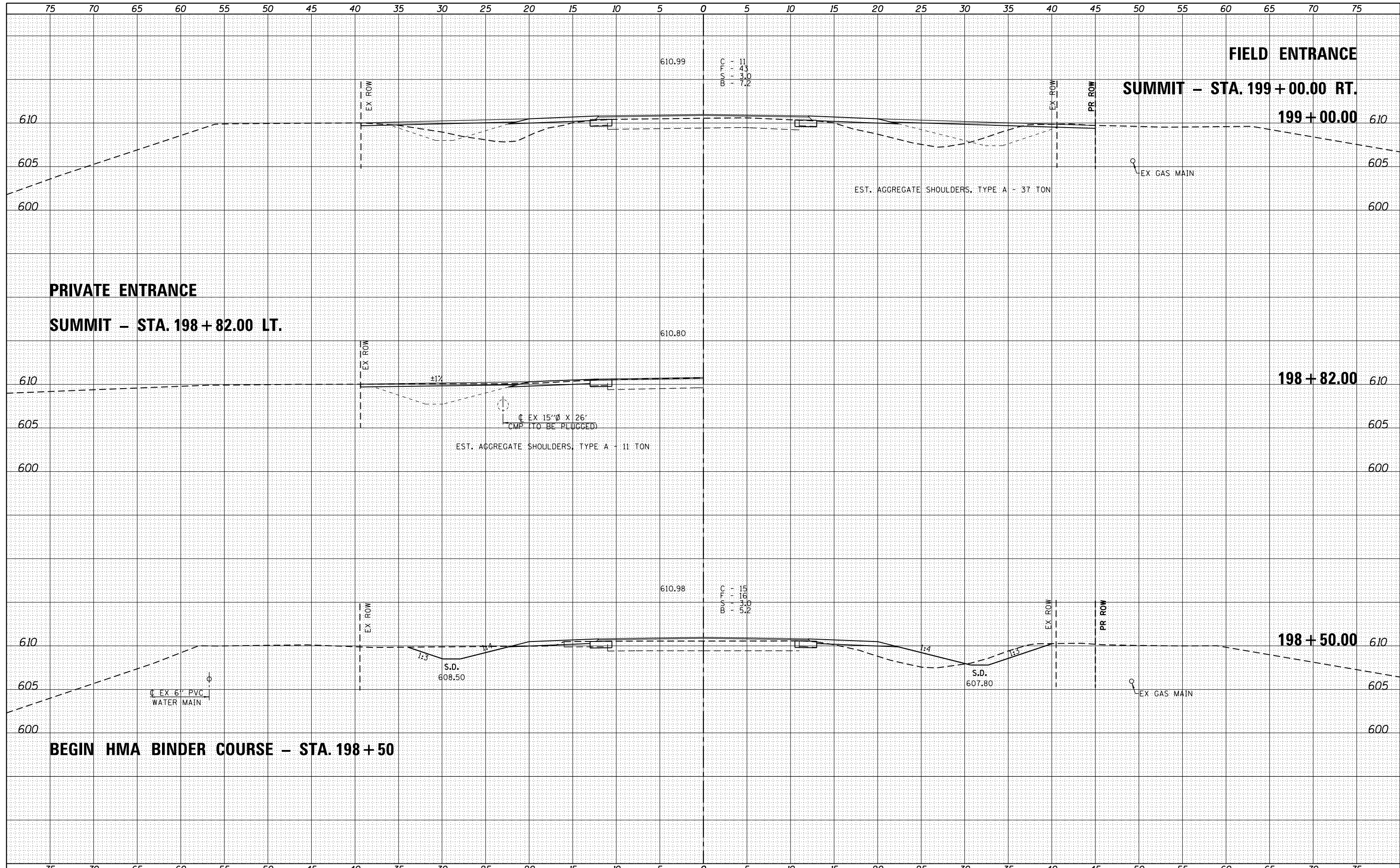
DATE	
BY	
ORIGINAL SURVEY	SURVEYED
NOTE BOOK	PLOTTED
NO.	TEMPLATE
	AREAS CHECKED



FILE NAME =	USER NAME = mfiash	DESIGNED -	REVISED -	Veenstra & Kimm, Inc. Springfield, IL. Phone: (217)544-8033 IL. Design Firm No. 184-001939	CROSS SECTIONS SCALE: 1" = 5' SHEET NO. 49 OF 65 SHEETS STA. 197+00.00 TO STA. 198+00.00		F.A.S. RTE.	SECTION	COUNTY	TOTAL SHEETS	SHEET NO.
Z:\2009 Jobs\LOCAL\Menard\09-023A C.H. 2 (Athens Blacktop) Phase 4 Segment D\CADD Sheets\09-023A-04-01.dgn	DRAWN	REVIS	REVIS				574	20-00056-08-PV	MENARD	98	82
PLOT SCALE = 10.0000 "/td> <td>CHECKED -</td> <td>REVIS</td> <td>REVIS</td> <td colspan="3">CONTRACT NO. 93775</td>	CHECKED -	REVIS	REVIS		CONTRACT NO. 93775						
PLOT DATE = 7/26/2022	DATE -	REVIS	REVIS		FED. ROAD DIST. NO. ILLINOIS FED. AID PROJECT						

DATE	
BY	
FINAL SURVEY	SURVEYED
NOTE BOOK	PLOTTED
NO.	TEMPLATE
	AREAS CHECKED

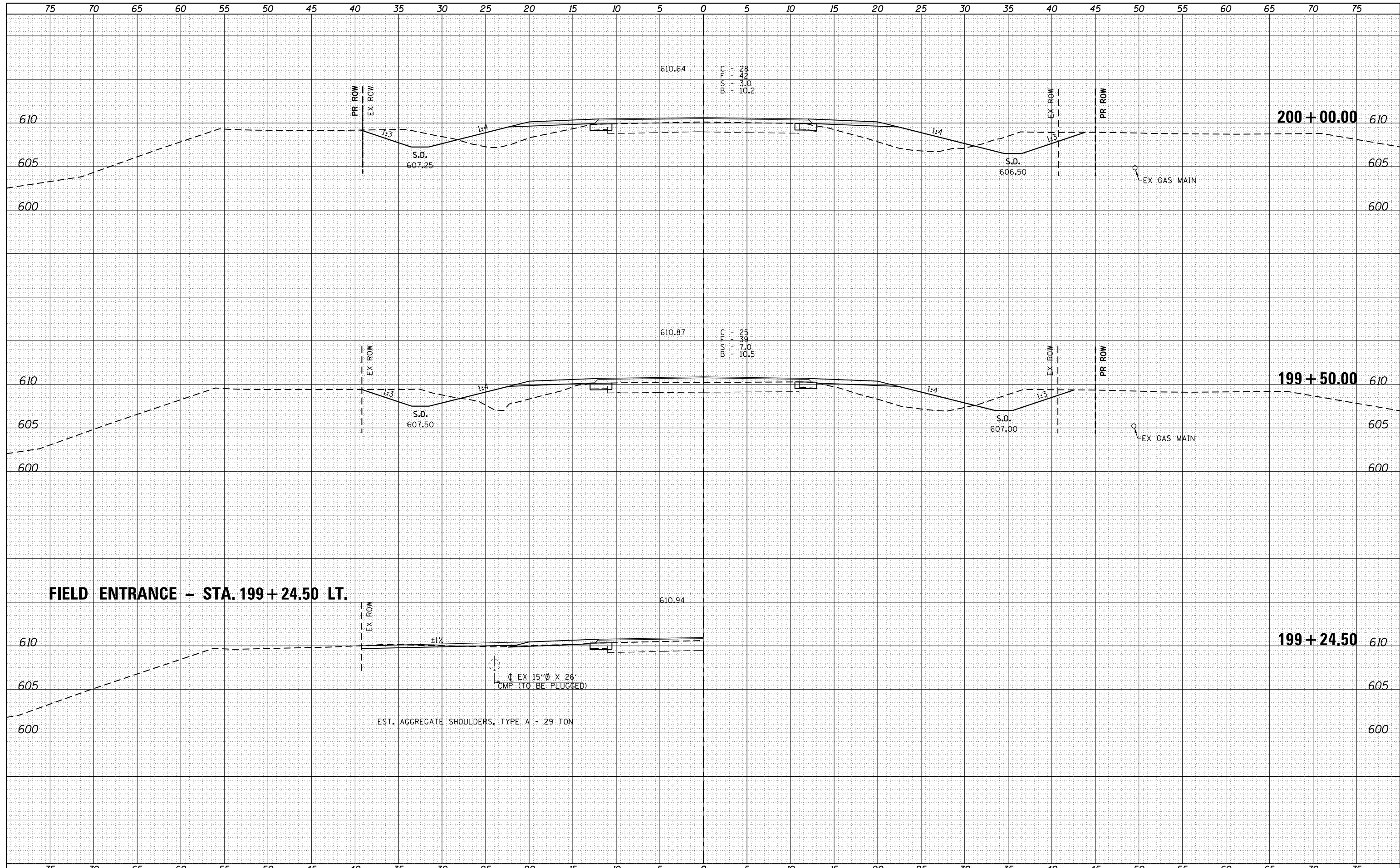
DATE	
BY	
ORIGINAL SURVEY	SURVEYED
NOTE BOOK	PLOTTED
NO.	TEMPLATE
	AREAS CHECKED



FILE NAME = Z:\2009 Jobs\LOCAL\Menard\09-023A C.H. 2 (Athens Blacktop) Phase 4 Segment D\CADD Sheets\09-023A-04-01.dgn	USER NAME = mfiouh	DESIGNED -	REVISÉD -	Veenstra & Kimm, Inc. Springfield, IL. Phone: (217)544-8033 IL. Design Firm No. 184-001939	CROSS SECTIONS SCALE: 1" = 5' SHEET NO. 50 OF 65 SHEETS STA. 198+50.00 TO STA. 199+00.00		F.A.S. RTE.	SECTION	COUNTY	TOTAL SHEETS	SHEET NO.
PLOT SCALE = 10.0000' / in.	CHECKED -	REVISÉD -	574				20-00056-08-PV	MENARD	98	83	
PLOT DATE = 7/26/2022	DATE -	REVISÉD -	CONTRACT NO. 93775								
							FED. ROAD DIST. NO.	ILLINOIS FED. AID PROJECT			

DATE	
BY	
ORIGINAL SURVEY	SURVEYED
NOTE BOOK	PLOTTED
NO.	TEMPLATE
	AREAS CHECKED

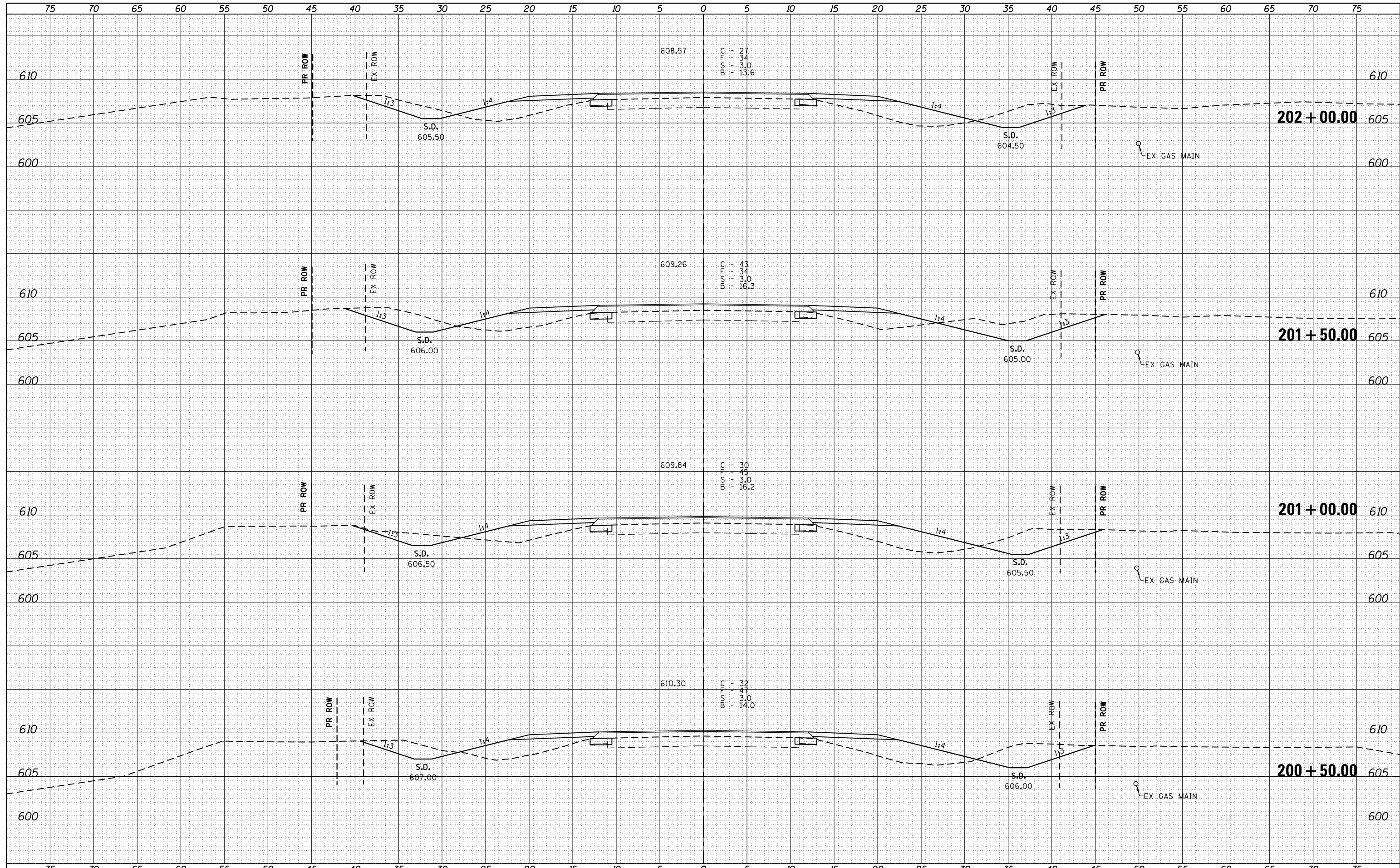
DATE	
BY	
ORIGINAL SURVEY	SURVEYED
NOTE BOOK	PLOTTED
NO.	TEMPLATE
	AREAS CHECKED



FILE NAME =	USER NAME = mfiouh	DESIGNED -	REVISÉD -	Veenstra & Kimm, Inc. Springfield, IL. Phone: (217)544-8033 IL. Design Firm No. 184-001939	CROSS SECTIONS SCALE: 1" = 5' SHEET NO. 51 OF 65 SHEETS STA. 199+24.31 TO STA. 200+00.00			F.A.S. RTE.	SECTION	COUNTY	TOTAL SHEETS	SHEET NO.
Z:\2009 Jobs\LOCAL\Menard\09-023A C.H. 2 (Athens Blacktop) Phase 4\Segment D\CADD Sheets\09-023A-04-01.dgn	DATE	CHECKED -	REVISÉD -					574	20-00056-08-PV	MENARD	98	84
PLOT SCALE = 10.0000' / in.	DATE	CHECKED -	REVISÉD -		CONTRACT NO. 93775							
PLOT DATE = 7/26/2022	DATE	CHECKED -	REVISÉD -		FED. ROAD DIST. NO.		ILLINOIS FED. AID PROJECT					

DATE	
BY	
FINAL SURVEY	SURVEYED
NOTE BOOK	PLOTTED
NO.	TEMPLATE
	AREAS CHECKED

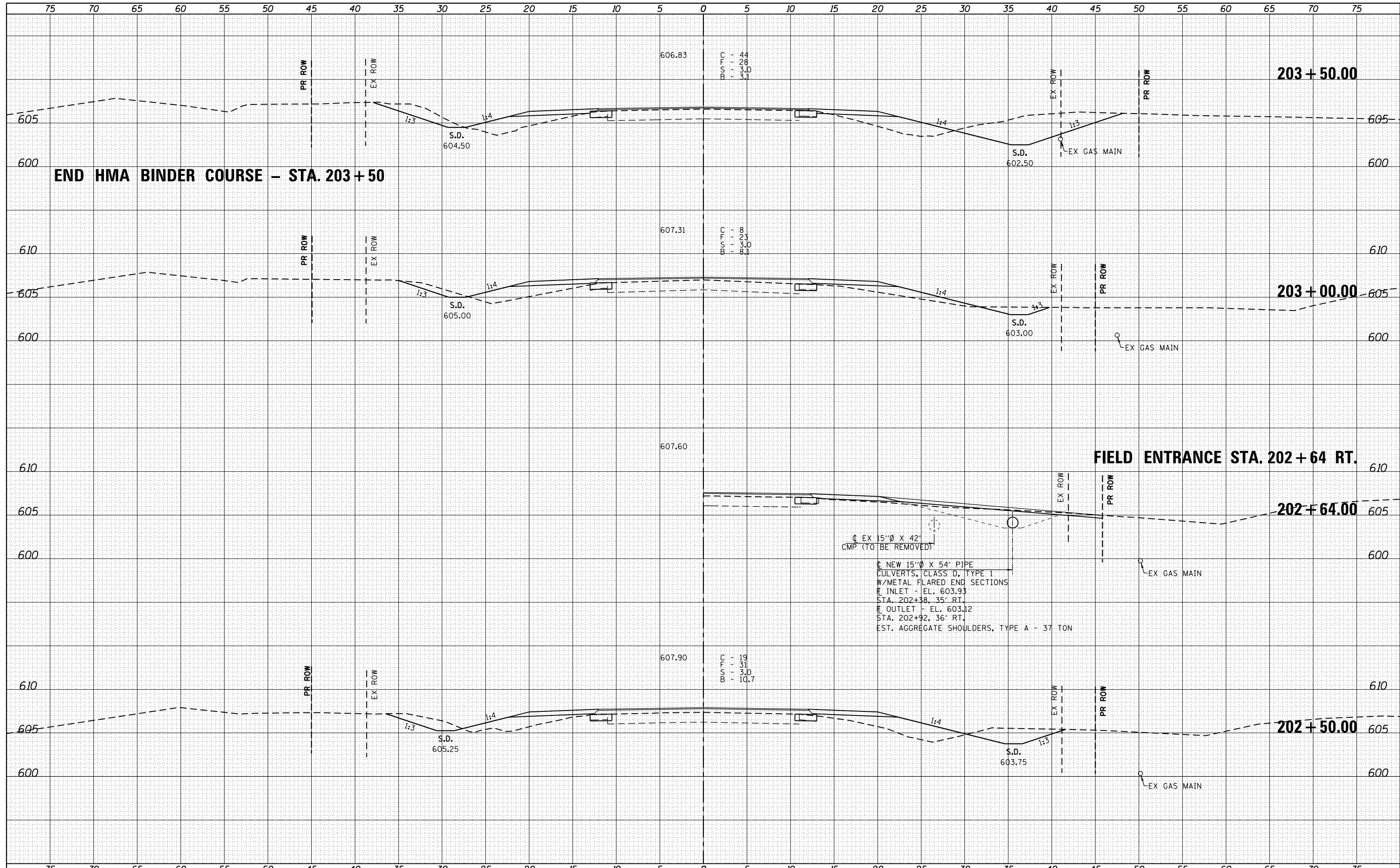
DATE	
BY	
ORIGINAL SURVEY	SURVEYED
NOTE BOOK	PLOTTED
NO.	TEMPLATE
	AREAS CHECKED



FILE NAME =	USER NAME = mfiash	DESIGNED -	REVISIED -	Veenstra & Kimm, Inc. Springfield, IL. Phone: (217)544-8033 IL. Design Firm No. 184-001939	CROSS SECTIONS			F.A.S. RTE.	SECTION	COUNTY	TOTAL SHEETS	SHEET NO.
Z:\2009 Jobs\LOCAL\Menard\09-023A C.H. 2 (Athens Blacktop) Phase 4\Segment D\CADD Sheets\09-023A-04-01.dgn	DRAWN	CHECKED -	REVISIED -		SCALE: 1" = 5'	SHEET NO. 52 OF 65 SHEETS	STA. 200+50.00 TO STA. 201+50.00	574	20-00056-08-PV	MENARD	98	85
PLOT SCALE = 10.0000" / in.		DATE -	REVISIED -					CONTRACT NO. 93775				
PLOT DATE = 7/26/2022								FED. ROAD DIST. NO. ILLINOIS FED. AID PROJECT				

DATE	
BY	
FINAL SURVEY	
SURVEYED	
PLOTTED	
TEMPLATE	
NOTE BOOK	
AREAS CHECKED	
NO.	

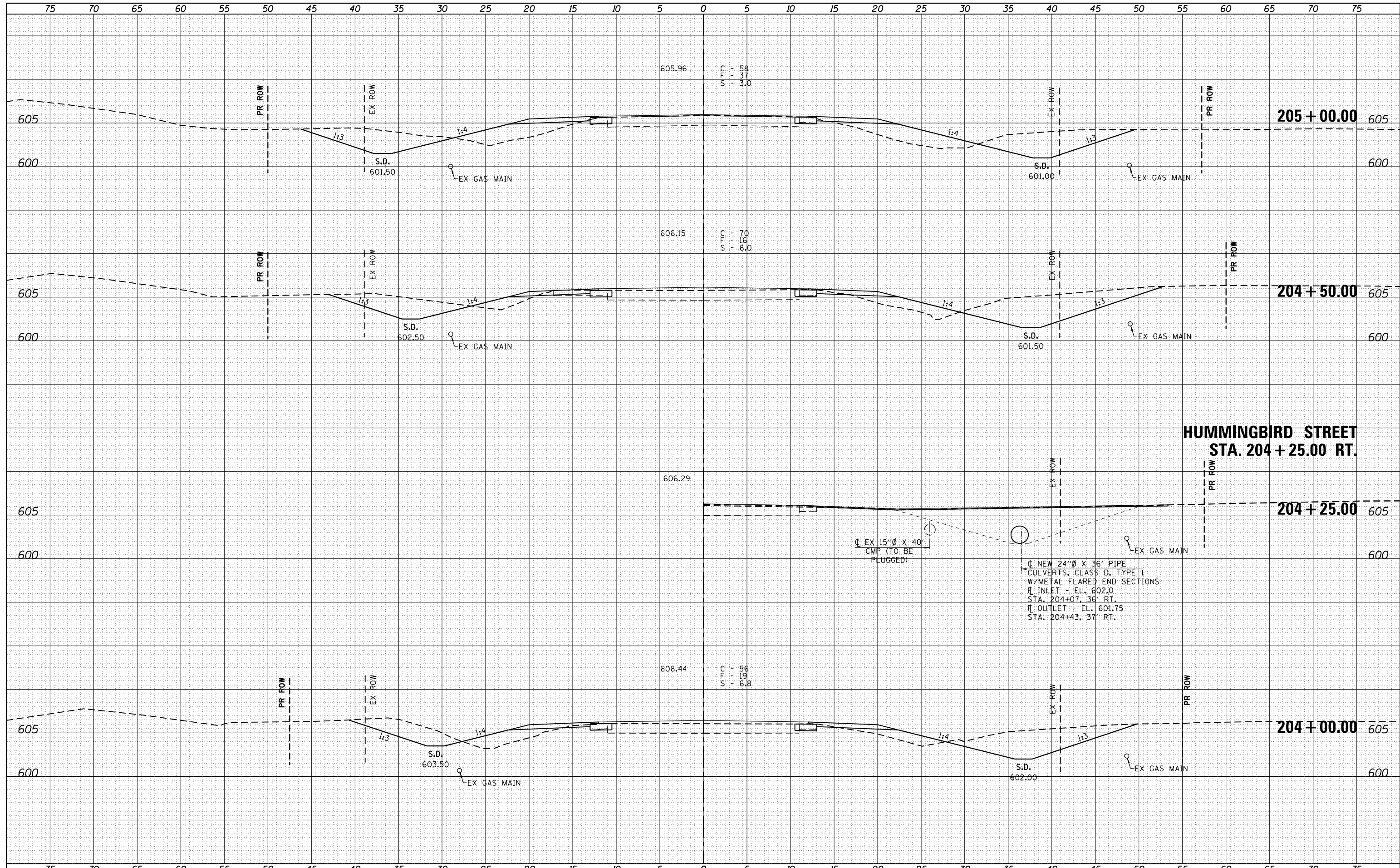
DATE	
BY	
ORIGINAL SURVEY	
SURVEYED	
PLOTTED	
TEMPLATE	
NOTE BOOK	
AREAS CHECKED	
NO.	



FILE NAME =	USER NAME = mfiash	DESIGNED -	REVISIED -	Veenstra & Kimm, Inc. Springfield, IL. Phone: (217)544-8033 IL. Design Firm No. 184-001939	CROSS SECTIONS SCALE: 1" = 5' SHEET NO. 53 OF 65 SHEETS STA. 202+00.00 TO STA. 203+00.00		F.A.S. RTE.	SECTION	COUNTY	TOTAL SHEETS	SHEET NO.
Z:\2009 Jobs\LOCAL\Menard\09-023A C.H. 2 (Athens Blacktop) Phase 4\Segment D\CADD Sheets\09-023A-04-01.dwg	DRAWN	REVISIED -	REVISIED -				574	20-00056-08-PV	MENARD	98	86
PLOT SCALE = 10.0000' / in.	CHECKED -	REVISIED -	REVISIED -		CONTRACT NO. 93775						
PLOT DATE = 7/26/2022	DATE -	REVISIED -	REVISIED -		FED. ROAD DIST. NO. ILLINOIS FED. AID PROJECT						

DATE	
BY	
FINAL SURVEY	
PLOTTED	
TEMPLATE	
NOTE BOOK	
AREAS CHECKED	
NO.	

DATE	
BY	
ORIGINAL SURVEY	
PLOTTED	
TEMPLATE	
NOTE BOOK	
AREAS CHECKED	
NO.	



FILE NAME =	USER NAME = mfiash	DESIGNED -	REVISÉD -	F.A.S. RTE.	SECTION	COUNTY	TOTAL SHEETS	SHEET NO.
Z:\2009 Jobs\LOCAL\Menard\09-023A C.H. 2 (Athens Blacktop) Phase 4\Segment D\CADD Sheets\09-023A-04-01.dwg		REVISÉD -	REVISÉD -	574	20-00056-08-PV	MENARD	98	87
PLOT SCALE = 10.0000' / in.	CHECKED -	REVISÉD -	REVISÉD -	CONTRACT NO. 93775				
PLOT DATE = 7/26/2022	DATE -	REVISÉD -	REVISÉD -	FED. ROAD DIST. NO. ILLINOIS FED. AID PROJECT				

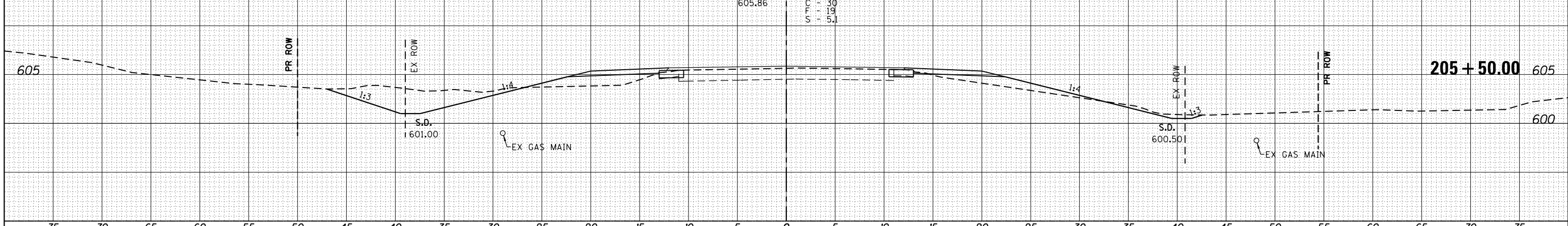
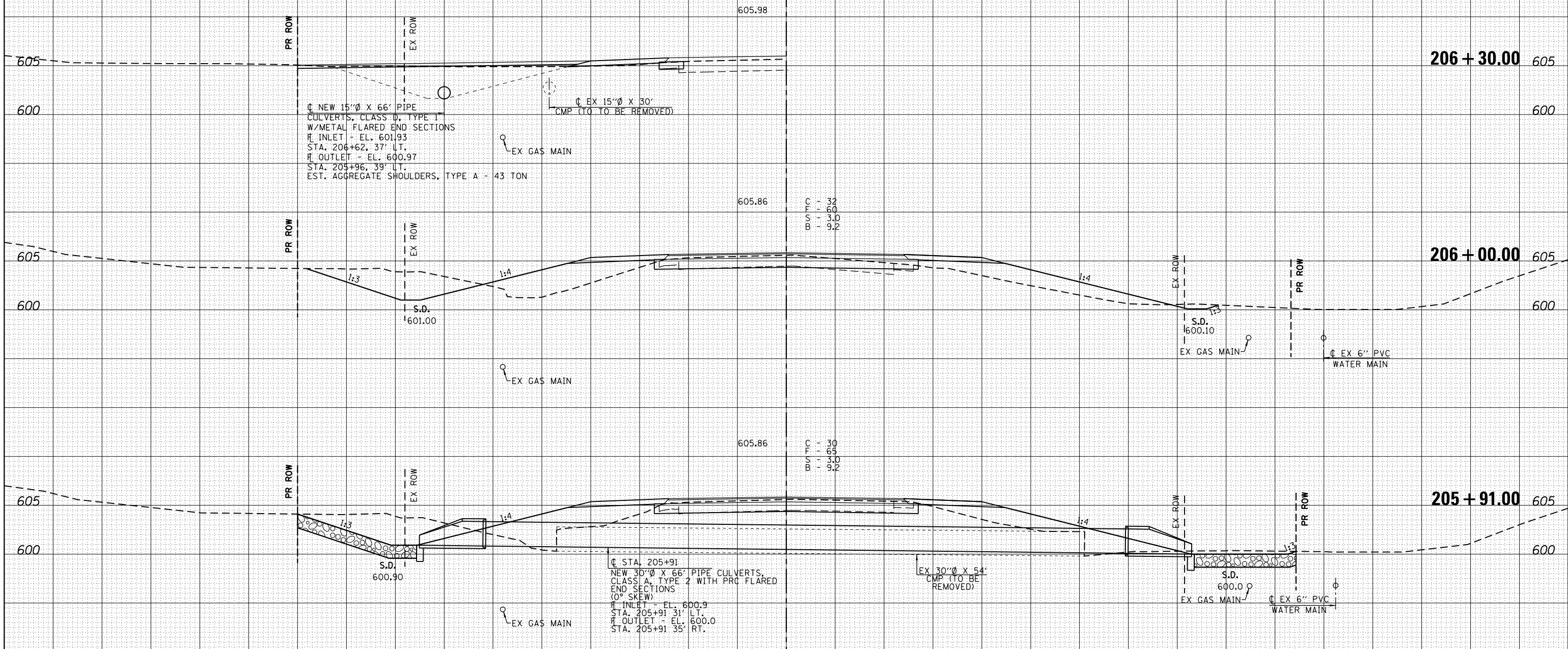


Veenstra & Kimm, Inc.
Springfield, IL. Phone: (217)544-8033
IL. Design Firm No. 184-001939

CROSS SECTIONS

SCALE: 1" = 5' SHEET NO. 54 OF 65 SHEETS STA. 203+50.00 TO STA. 205+00.00

RELOCATED FIELD ENTRANCE STA. 206 + 30.00



DATE	
BY	
ORIGINAL SURVEY	
SURVEYED	
PLOTTED	
TEMPLATE	
NOTE BOOK	
AREAS CHECKED	
NO.	

FILE NAME = Z:\2009 Jobs\LOCAL\Menard\09-023A C.H. 2 (Athens Blacktop) Phase 4\Segment D\CADD Sheets\09-023A-04.dgn
 PLOT SCALE = 10.0000' / in.
 PLOT DATE = 7/26/2022

USER NAME = mfaush
 DESIGNED -
 CHECKED -
 DATE -

REVISED -
 REVISED -
 REVISED -
 REVISED -



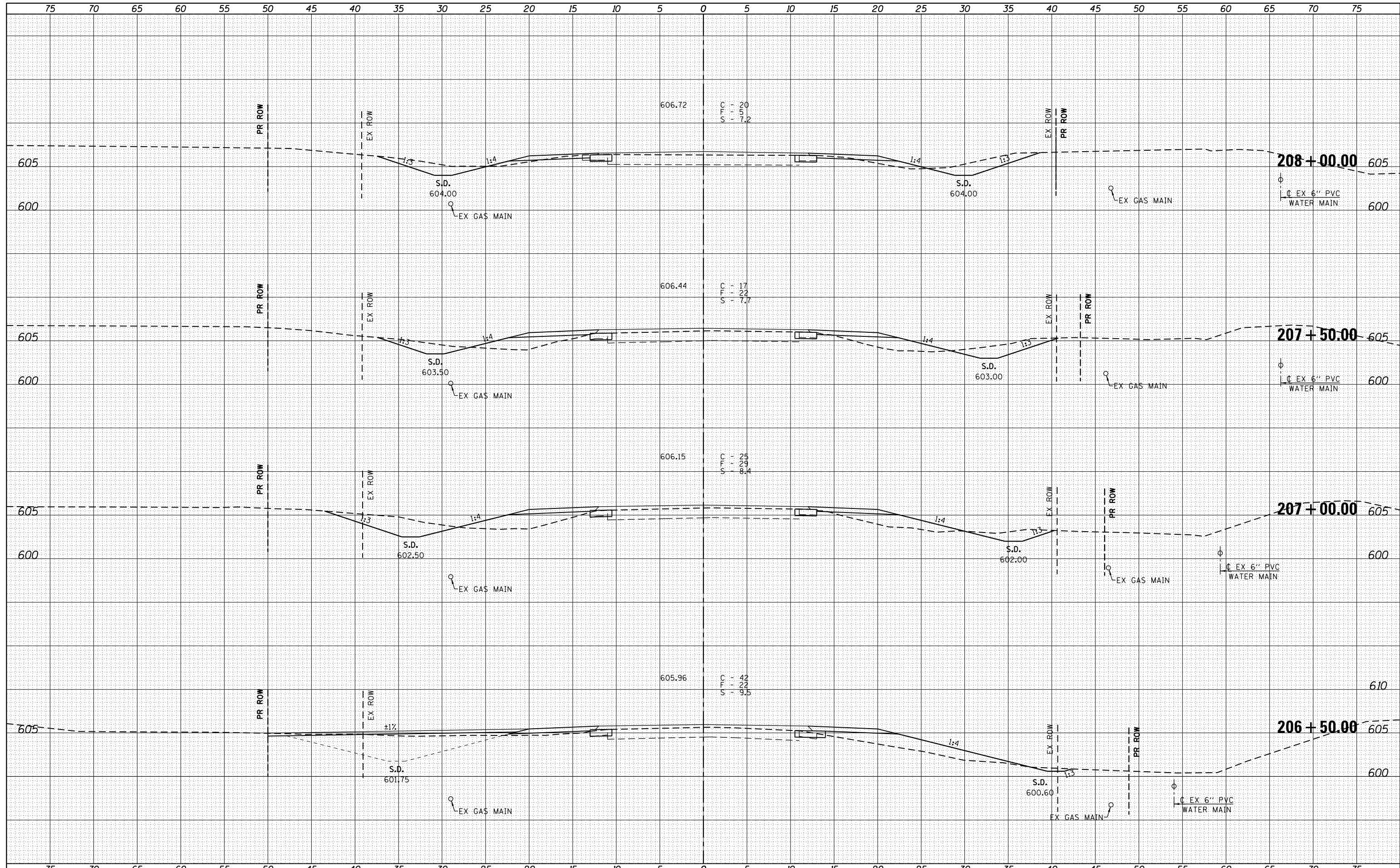
Veenstra & Kimm, Inc.
 Springfield, IL. Phone: (217)544-8033
 IL. Design Firm No. 184-001939

CROSS SECTIONS
 SCALE: 1" = 5'
 SHEET NO. 55 OF 65 SHEETS
 STA. 205+50.00 TO STA. 206+50.00

F.A.S. RTE.	SECTION	COUNTY	TOTAL SHEETS	SHEET NO.
574	20-00056-08-PV	MENARD	98	88
CONTRACT NO. 93775				
FED. ROAD DIST. NO. ILLINOIS FED. AID PROJECT				

DATE	
BY	
FINAL SURVEY	
PLOTTED	
TEMPLATE	
NOTE BOOK	
AREAS CHECKED	
NO.	

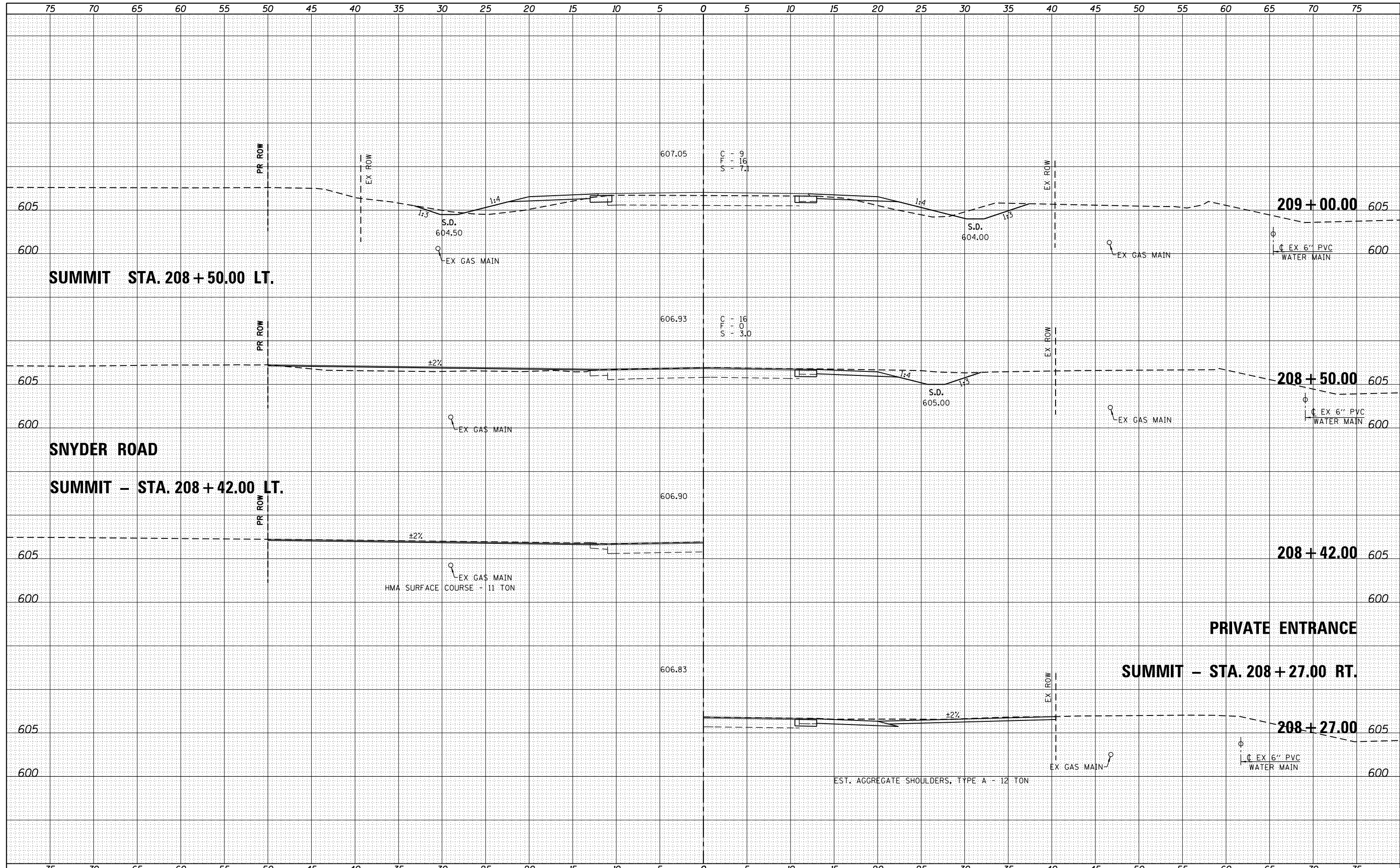
DATE	
BY	
ORIGINAL SURVEY	
PLOTTED	
TEMPLATE	
NOTE BOOK	
AREAS CHECKED	
NO.	



FILE NAME =	USER NAME = mfiash	DESIGNED -	REVISED -	Veenstra & Kimm, Inc. Springfield, IL. Phone: (217)544-8033 IL. Design Firm No. 184-001939	CROSS SECTIONS SCALE: 1" = 5' SHEET NO. 46 OF 65 SHEETS STA. 206+56.81 TO STA. 208+00.00			F.A.S. RTE.	SECTION	COUNTY	TOTAL SHEETS	SHEET NO.
Z:\2009 Jobs\LOCAL\Menard\09-023A C.H. 2 (Athens Blacktop) Phase 4\Segment D\CADD Sheets\09-023A-04.dwg	PLotted	REVISION	REVISION					574	20-00056-08-PV	MENARD	98	89
PLOT SCALE = 10.0000' / in.	CHECKED -	REVISION	REVISION		CONTRACT NO. 93775							
PLOT DATE = 7/26/2022	DATE -	REVISION	REVISION		FED. ROAD DIST. NO. ILLINOIS FED. AID PROJECT							

DATE	
BY	
SURVEYED	
PLOTTED	
TEMPLATE	
AREAS CHECKED	
FINAL SURVEY	
NOTE BOOK	
NO.	

DATE	
BY	
SURVEYED	
PLOTTED	
TEMPLATE	
AREAS CHECKED	
ORIGINAL SURVEY	
NOTE BOOK	
NO.	



FILE NAME = Z:\2009 Jobs\LOCAL\Menard\09-023A C.H. 2 (Athens Blacktop) Phase 4 Segment D\CADD Sheets\09-023A-04-01.dgn
 PLOT SCALE = 10.0000' / in.
 PLOT DATE = 7/26/2022

DESIGNED -	REVISIED -
CHECKED -	REVISIED -
DATE -	REVISIED -



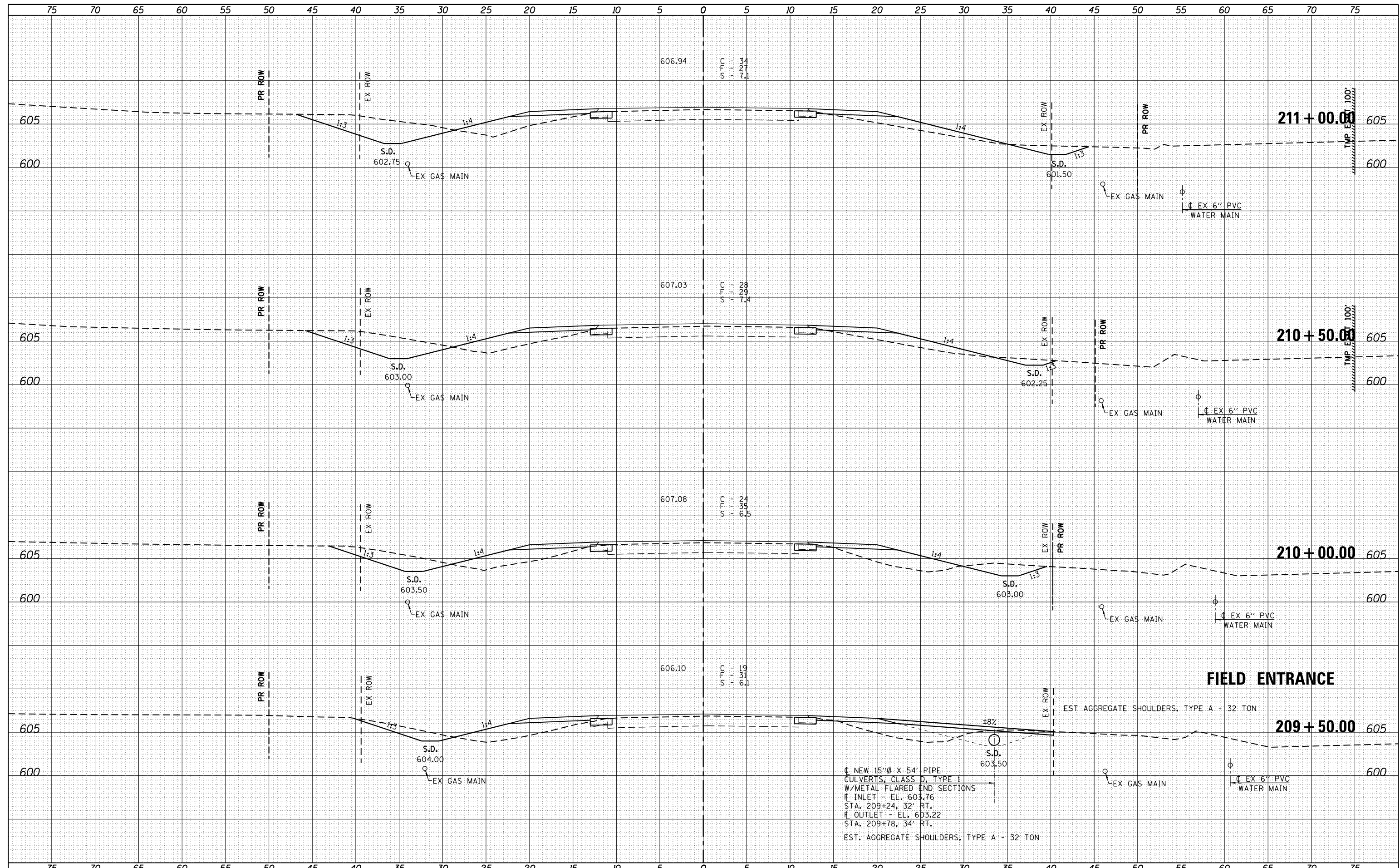
Veenstra & Kimm, Inc.
 Springfield, IL. Phone: (217)544-8033
 IL. Design Firm No. 184-001939

CROSS SECTIONS
 SCALE: 1" = 5'
 SHEET NO. 57 OF 65 SHEETS
 STA. 208+23.81 TO STA. 209+00.00

F.A.S. RTE.	SECTION	COUNTY	TOTAL SHEETS	SHEET NO.
574	20-00056-08-PV	MENARD	98	90
CONTRACT NO. 93775				
FED. ROAD DIST. NO. ILLINOIS FED. AID PROJECT				

DATE	
BY	
FINAL SURVEY	SURVEYED
NOTE BOOK	PLOTTED
NO.	TEMPLATE
	AREAS CHECKED

DATE	
BY	
ORIGINAL SURVEY	SURVEYED
NOTE BOOK	PLOTTED
NO.	TEMPLATE
	AREAS CHECKED

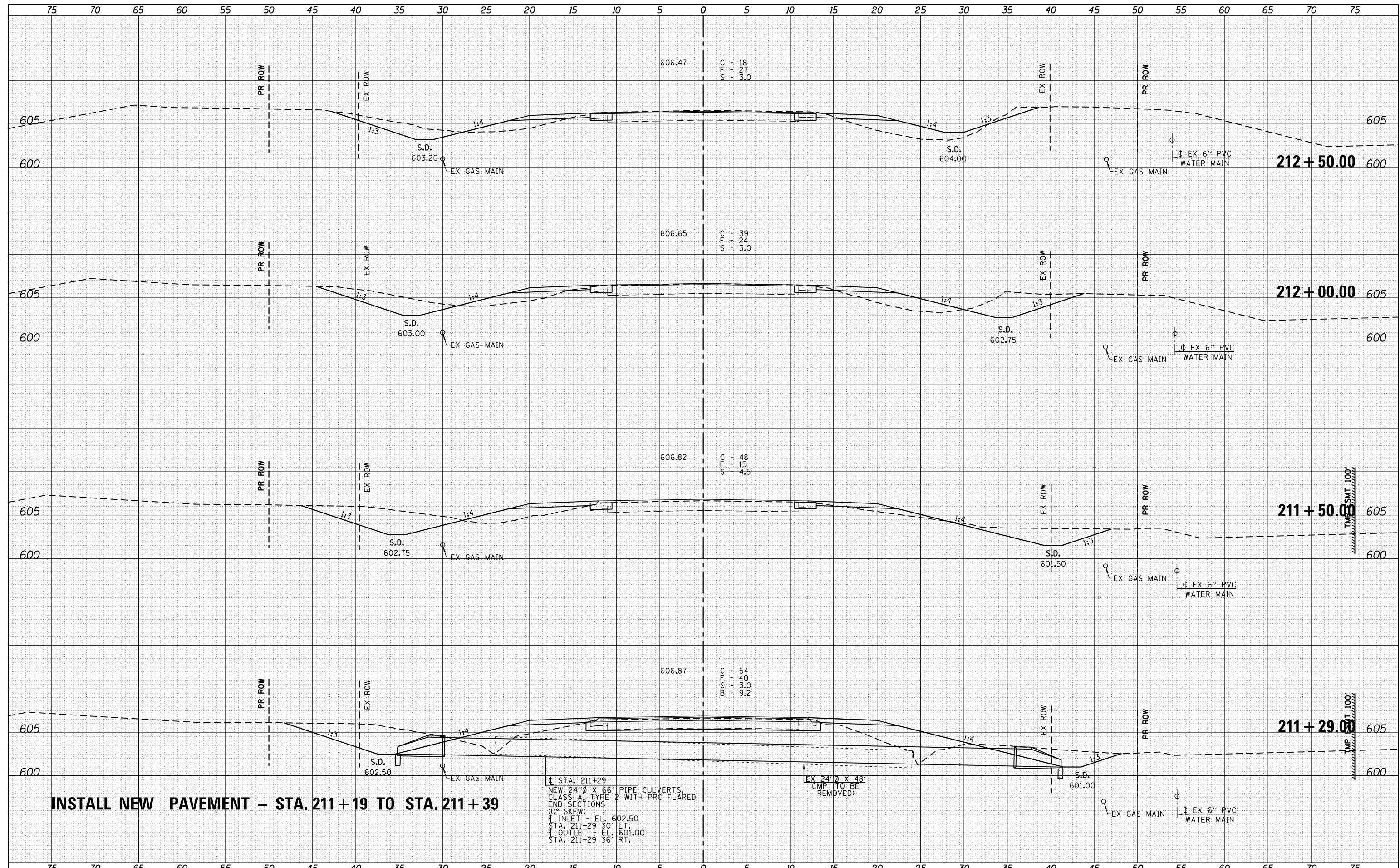


NEW 15'Ø X 54' PIPE
 CULVERTS, CLASS D, TYPE 1
 W/METAL FLARED END SECTIONS
 # INLET - EL. 603.76
 STA. 209+24, 32' RT.
 # OUTLET - EL. 603.22
 STA. 209+78, 34' RT.
 EST. AGGREGATE SHOULDERS, TYPE A - 32 TON

FILE NAME -	USER NAME - mfr10sh	DESIGNED -	REVISÉD -	Veenstra & Kimm, Inc. Springfield, IL. Phone: (217)544-8033 IL. Design Firm No. 184-001939	CROSS SECTIONS		F.A.S. RTE.	SECTION	COUNTY	TOTAL SHEETS	SHEET NO.
Z:\2009 Jobs\LOCAL\Menard\09-023A C.H. 2 (After Blacktop) Phase 4\Segment D\CADD Sheets\09-023A-04-01.dwg	DESIGNED BY -	REVISÉD -	REVISÉD -		574	20-00056-08-PV	MENARD	98	91		
PLOT SCALE = 1/8" = 1' - 0"	CHECKED -	REVISÉD -	REVISÉD -		CONTRACT NO. 93775						
PLOT DATE = 7/26/2022	DATE -	REVISÉD -	REVISÉD -		SCALE: 1" = 5'		SHEET NO. 58 OF 65 SHEETS		STA. 209+50.00 TO STA. 211+00.00		FED. ROAD DIST. NO. ILLINOIS FED. AID PROJECT

DATE	
BY	
FINAL SURVEY PLOTTED	
NOTE BOOK NO.	
AREAS CHECKED	

DATE	
BY	
ORIGINAL SURVEY PLOTTED	
NOTE BOOK NO.	
AREAS CHECKED	



INSTALL NEW PAVEMENT - STA. 211+19 TO STA. 211+39

@ STA. 211+29
 NEW 24" X 66" PIPE CULVERTS,
 CLASS A, TYPE 2 WITH PRC FLARED
 END SECTIONS
 (0° SKEW)
 # INLET - EL. 602.50
 STA. 211+29 30' LT.
 # OUTLET - EL. 601.00
 STA. 211+29 36' RT.

EX 24" X 48" CMP (TO BE REMOVED)

FILE NAME -	USER NAME - mfr10sh	DESIGNED -	REVISÉD -	F.A.S. RTE.	SECTION	COUNTY	TOTAL SHEETS	SHEET NO.
Z:\2009 Jobs\LOCAL\Menard\09-023A C.H. 2 (Athena Blacktop) Phase 4\Segment D\CADD Sheets\09-023A-04-01.dwg		DRAWN -	REVISÉD -	574	20-00056-08-PV	MENARD	98	92
PLOT SCALE = 1/8" = 1' - 0"		CHECKED -	REVISÉD -	CONTRACT NO. 93775				
PLOT DATE = 7/26/2022		DATE -	REVISÉD -	FED. ROAD DIST. NO. ILLINOIS FED. AID PROJECT				



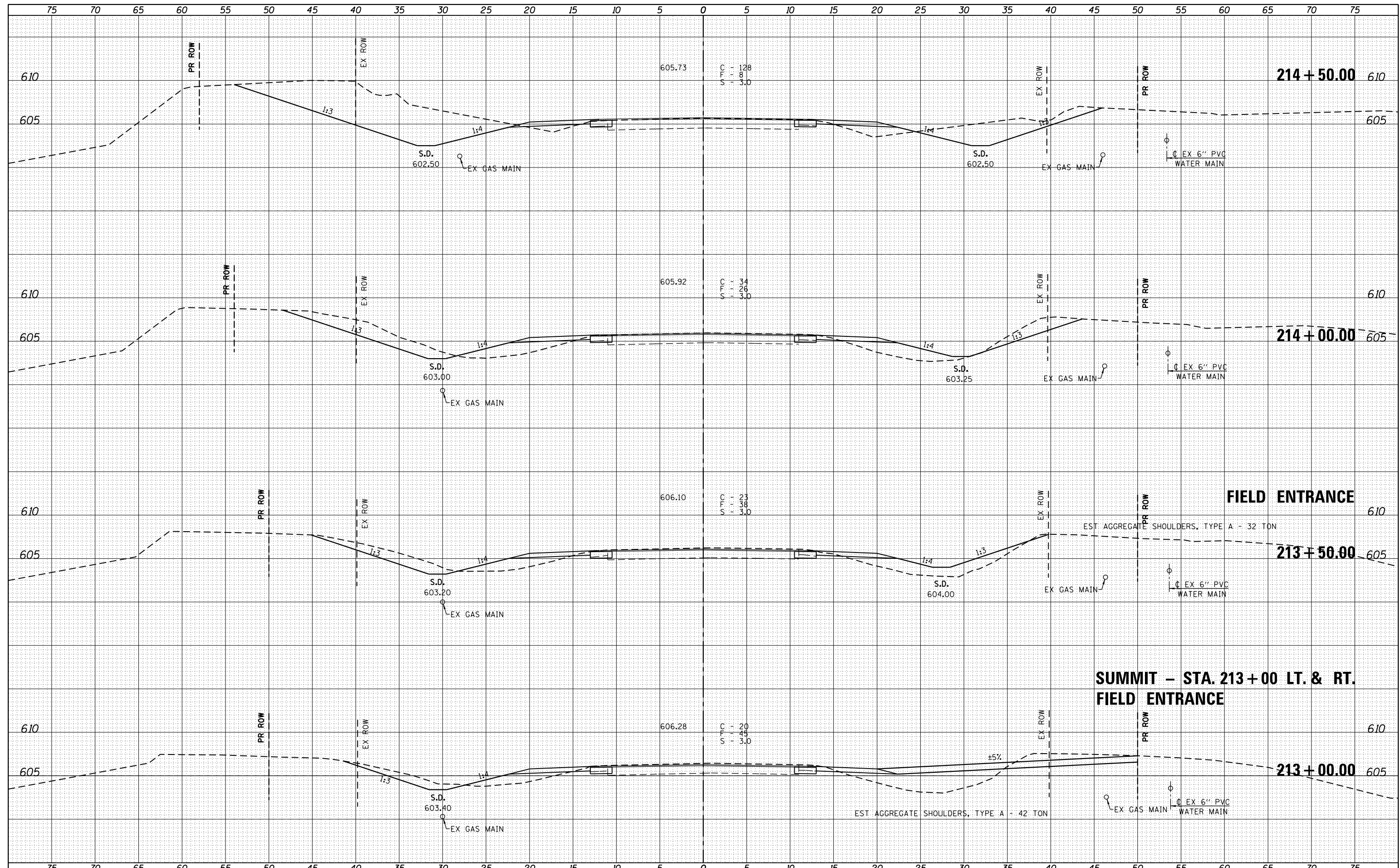
Veenstra & Kimm, Inc.
 Springfield, IL. Phone: (217)544-8033
 IL. Design Firm No. 184-001939

CROSS SECTIONS

SCALE: 1" = 5' SHEET NO. 59 OF 65 SHEETS STA. 211+29.05 TO STA. 212+50.00

DATE	
BY	
FINAL SURVEY	
SURVEY PLOTTED	
TEMPLATE	
NOTE BOOK	
AREAS CHECKED	

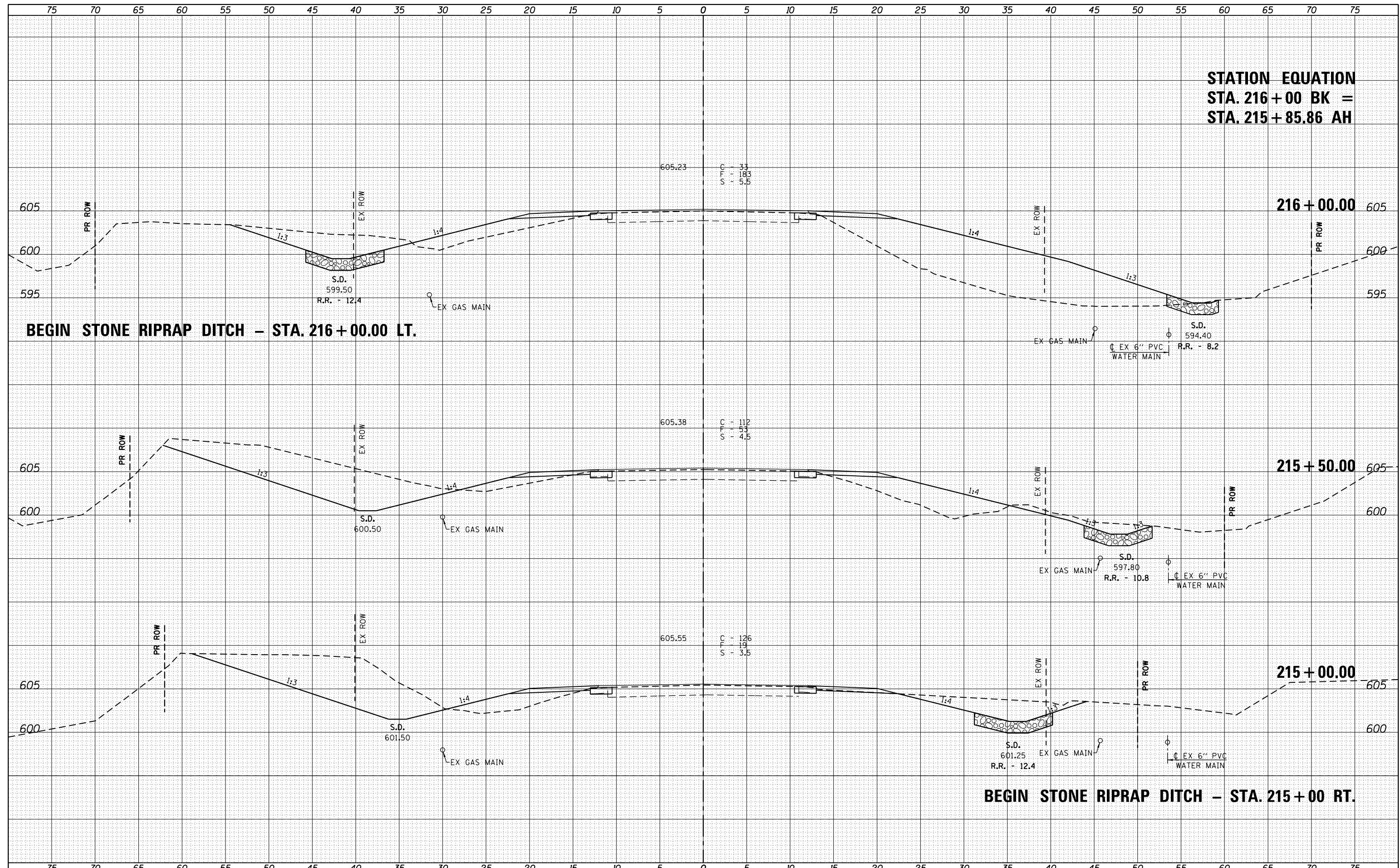
DATE	
BY	
ORIGINAL SURVEY	
SURVEY PLOTTED	
TEMPLATE	
NOTE BOOK	
AREAS CHECKED	



FILE NAME -	USER NAME - mfr10sh	DESIGNED -	REVISIED -	Veenstra & Kimm, Inc. Springfield, IL. Phone: (217)544-8033 IL. Design Firm No. 184-001939	CROSS SECTIONS SCALE: 1" = 5' SHEET NO. 60 OF 65 SHEETS STA. 213+00.00 TO STA. 214+50.00		F.A.S. RTE.	SECTION	COUNTY	TOTAL SHEETS	SHEET NO.
Z:\2009\Jobs\LOCAL\Menard\09-023A C.H. 2 (Athena Blacktop) Phase 4\Segment D\CADD Sheets\09-023A-04.dwg	DRAWN -	REVISIED -	574				20-00056-08-PV	MENARD	98	93	
PLOT SCALE = 10.0270' / in.	CHECKED -	REVISIED -	CONTRACT NO. 93775								
PLOT DATE = 7/26/2022	DATE -	REVISIED -	FED. ROAD DIST. NO. ILLINOIS FED. AID PROJECT								

STATION EQUATION
STA. 216 + 00 BK =
STA. 215 + 85.86 AH

DATE	
BY	
DESIGNED	
CHECKED	
DATE	
REVISIONS	
NO.	
DATE	
BY	
DESIGNED	
CHECKED	
DATE	
REVISIONS	
NO.	
DATE	
BY	
DESIGNED	
CHECKED	
DATE	
REVISIONS	
NO.	



BEGIN STONE RIPRAP DITCH - STA. 216 + 00.00 LT.

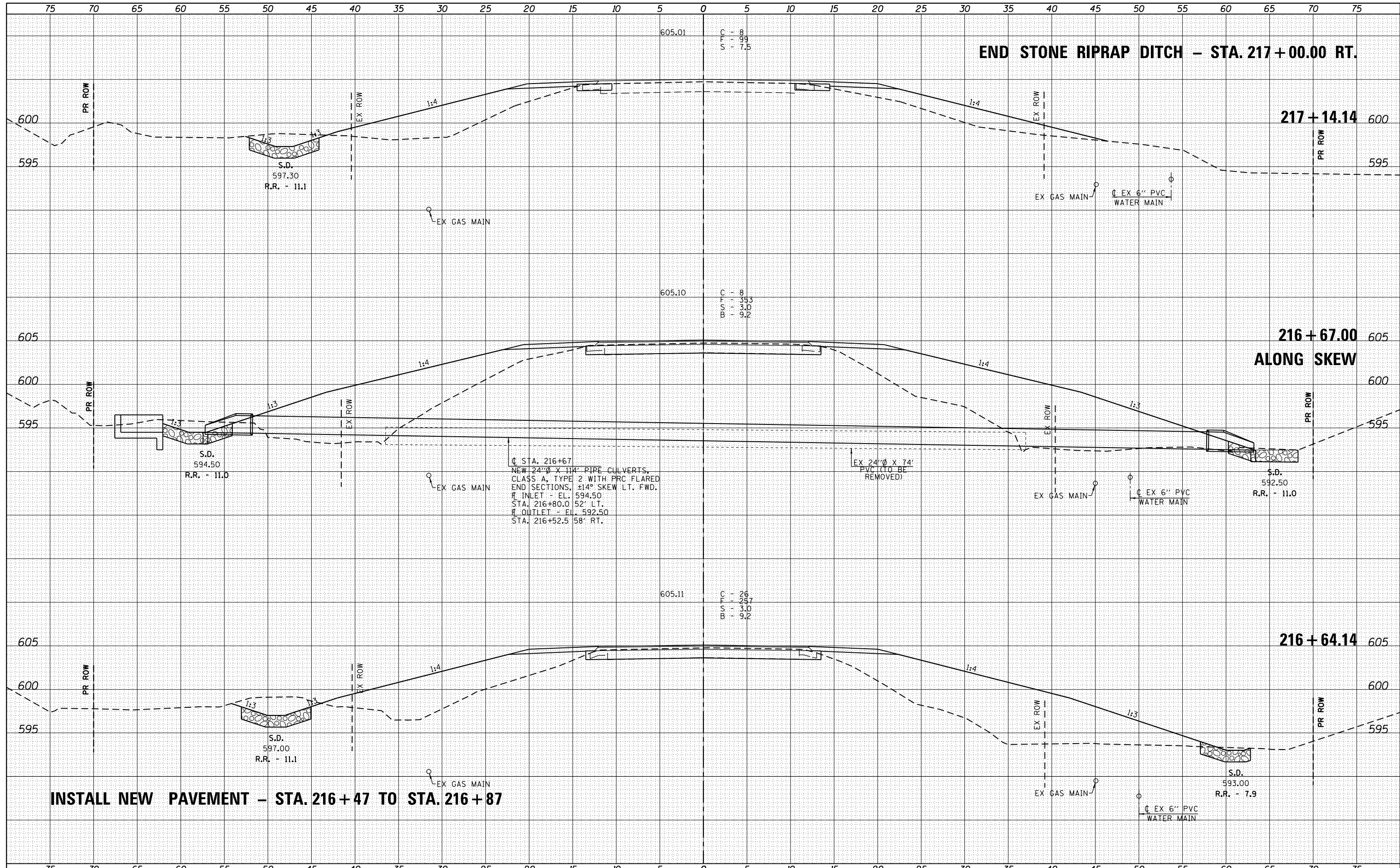
BEGIN STONE RIPRAP DITCH - STA. 215 + 00.00 RT.

DATE	
BY	
DESIGNED	
CHECKED	
DATE	
REVISIONS	
NO.	
DATE	
BY	
DESIGNED	
CHECKED	
DATE	
REVISIONS	
NO.	
DATE	
BY	
DESIGNED	
CHECKED	
DATE	
REVISIONS	
NO.	

FILE NAME -	USER NAME - mfr10sh	DESIGNED -	REVISIONS -	<p>Veenstra & Kimm, Inc. Springfield, IL. Phone: (217)544-8033 IL. Design Firm No. 184-001939</p>	CROSS SECTIONS		F.A.S. RTE.	SECTION	COUNTY	TOTAL SHEETS	SHEET NO.
Z:\2009 Jobs\LOCAL\Menard\09-023A C.H. 2 (Athena Blacktop) Phase 4\Segment D\CADD Sheets\09-023A-04-01.dwg		CHECKED -	REVISIONS -		574	20-00056-08-PV	MENARD	98	94		
PLOT SCALE = 10.0270' / in.		DATE -	REVISIONS -		CONTRACT NO. 93775						
PLOT DATE = 7/26/2022					SCALE: 1" = 5'	SHEET NO. 61 OF 65 SHEETS	STA. 215+00.00 TO STA. 216+00.00	FED. ROAD DIST. NO.	ILLINOIS FED. AID PROJECT		

DATE	
BY	
FINAL SURVEY	SURVEYED
NOTE BOOK	PLOTTED
NO.	TEMPLATE
	AREAS CHECKED

DATE	
BY	
ORIGINAL SURVEY	SURVEYED
NOTE BOOK	PLOTTED
NO.	TEMPLATE
	AREAS CHECKED



FILE NAME =	USER NAME = mfiash	DESIGNED -	REVISED -	F.A.S. RT.	SECTION	COUNTY	TOTAL SHEETS	SHEET NO.
Z:\2009 Jobs\LOCAL\Menard\09-023A C.H. 2 (Athens Blacktop) Phase 4\Segment D\CADD Sheets\09-023A-04-01.dgn		CHECKED -	REVISED -	574	20-00056-08-PV	MENARD	98	95
PLOT SCALE = 10.0000' / in.		DATE -	REVISED -	CONTRACT NO. 93775				
PLOT DATE = 7/26/2022				FED. ROAD DIST. NO. ILLINOIS FED. AID PROJECT				



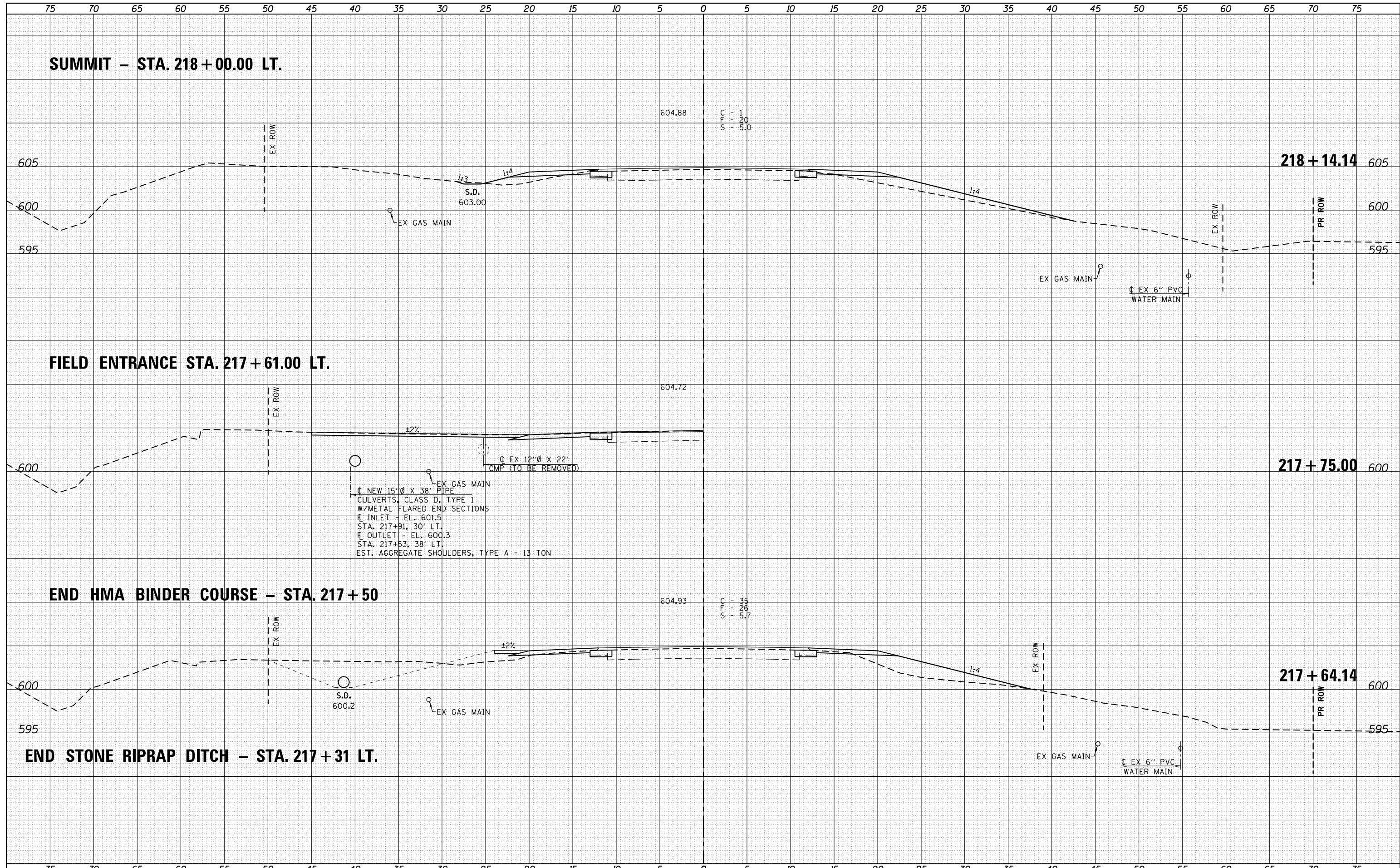
Veenstra & Kimm, Inc.
Springfield, IL. Phone: (217)544-8033
IL. Design Firm No. 184-001939

CROSS SECTIONS

SCALE: 1" = 5' SHEET NO. 62 OF 65 SHEETS STA. 216+50.00 TO STA. 217+00.00

DATE	
BY	
FINAL SURVEY	
SURVEYED	
PLOTTED	
TEMPLATE	
NOTE BOOK	
AREAS CHECKED	
NO.	

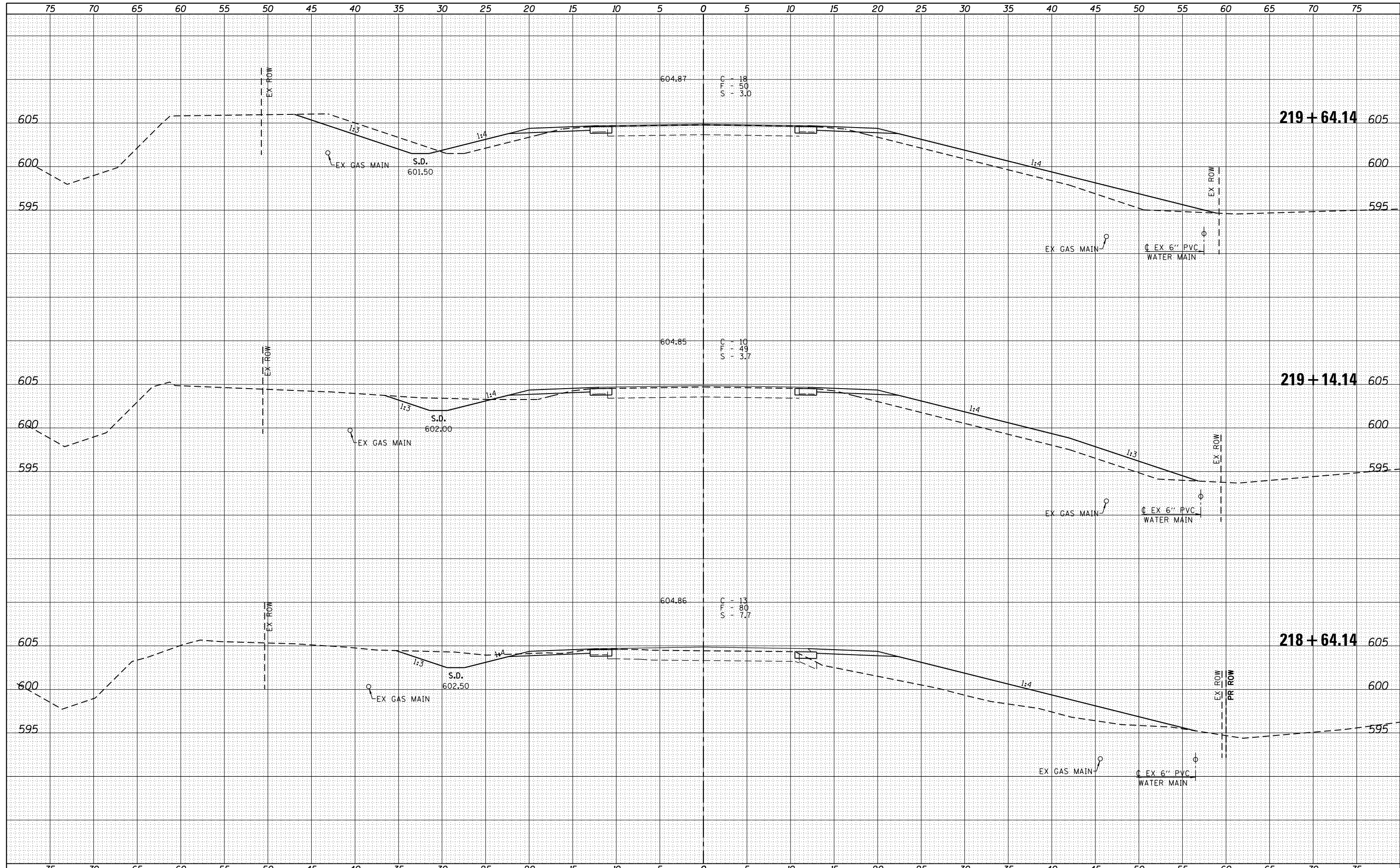
DATE	
BY	
ORIGINAL SURVEY	
SURVEYED	
PLOTTED	
TEMPLATE	
NOTE BOOK	
AREAS CHECKED	
NO.	



FILE NAME =	USER NAME = mfiash	DESIGNED -	REVISED -	Veenstra & Kimm, Inc. Springfield, IL. Phone: (217)544-8033 IL. Design Firm No. 184-001939	CROSS SECTIONS SCALE: 1" = 5' SHEET NO. 63 OF 65 SHEETS STA. 217+50.00 TO STA. 218+00.00		F.A.S. RTE.	SECTION	COUNTY	TOTAL SHEETS	SHEET NO.
Z:\2009 Jobs\LOCAL\Menard\09-023A C.H. 2 (Athens Blacktop) Phase 4\Segment D\CADD Sheets\09-023A-04-01.dgn	DRAWN	REVISED -	REVISED -				574	20-00056-08-PV	MENARD	98	96
PLOT SCALE = 10.0000' / in.	CHECKED -	REVISED -	REVISED -		CONTRACT NO. 93775						
PLOT DATE = 7/26/2022	DATE -	REVISED -	REVISED -		FED. ROAD DIST. NO. ILLINOIS FED. AID PROJECT						

DATE	
BY	
FINAL SURVEY	SURVEYED
NOTE BOOK	PLOTTED
NO.	TEMPLATE
	AREAS CHECKED

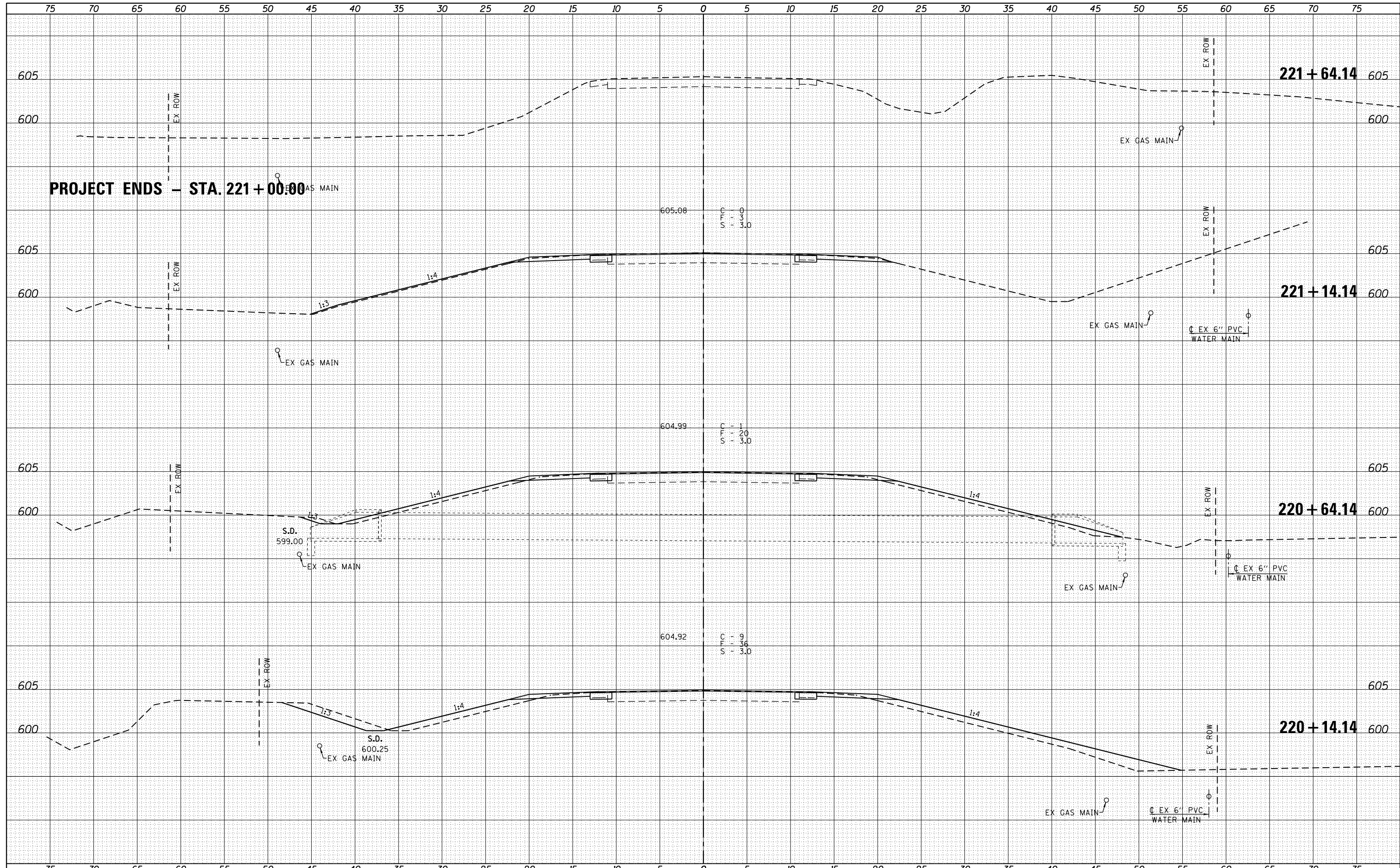
DATE	
BY	
ORIGINAL SURVEY	SURVEYED
NOTE BOOK	PLOTTED
NO.	TEMPLATE
	AREAS CHECKED



FILE NAME =	USER NAME = mfiash	DESIGNED -	REVISIED -	Veenstra & Kimm, Inc. Springfield, IL. Phone: (217)544-8033 IL. Design Firm No. 184-001939	CROSS SECTIONS SCALE: 1" = 5' SHEET NO. 64 OF 65 SHEETS STA. 218+50.00 TO STA. 219+50.00		F.A.S. RTE.	SECTION	COUNTY	TOTAL SHEETS	SHEET NO.
Z:\2009 Jobs\LOCAL\Menard\09-023A C.H. 2 (Athens Blacktop) Phase 4\Segment D\CADD Sheets\09-023A-04-01.dgn	DATE	REVISIED -	REVISIED -				574	20-00056-08-PV	MENARD	98	97
PLOT SCALE = 10.0000 / in.	CHECKED -	REVISIED -	REVISIED -		CONTRACT NO. 93775						
PLOT DATE = 7/26/2022	DATE	REVISIED -	REVISIED -		ILLINOIS FED. AID PROJECT						

DATE	
BY	
FINAL SURVEY	SURVEYED
NOTE BOOK	PLOTTED
NO.	TEMPLATE
	AREAS CHECKED

DATE	
BY	
ORIGINAL SURVEY	SURVEYED
NOTE BOOK	PLOTTED
NO.	TEMPLATE
	AREAS CHECKED



FILE NAME = Z:\2009 Jobs\LOCAL\Menard\09-023A C.H. 2 (Athens Blacktop) Phase 4 Segment D\CADD Sheets\09-023A-04-01.dgn
 USER NAME = mfiouh
 PLOT SCALE = 10.0000' / in.
 PLOT DATE = 7/26/2022

DESIGNED -	REVISÉD -
CHECKED -	REVISÉD -
DATE -	REVISÉD -



Veenstra & Kimm, Inc.
 Springfield, IL. Phone: (217)544-8033
 IL. Design Firm No. 184-001939

CROSS SECTIONS	
SCALE: 1" = 5'	SHEET NO. 65 OF 65 SHEETS
STA. 220+00.00	TO STA. 221+50.00

F.A.S. RTÉ.	SECTION	COUNTY	TOTAL SHEETS	SHEET NO.
574	20-00056-08-PV	MENARD	98	98
CONTRACT NO. 93775				
FED. ROAD DIST. NO. ILLINOIS FED. AID PROJECT				