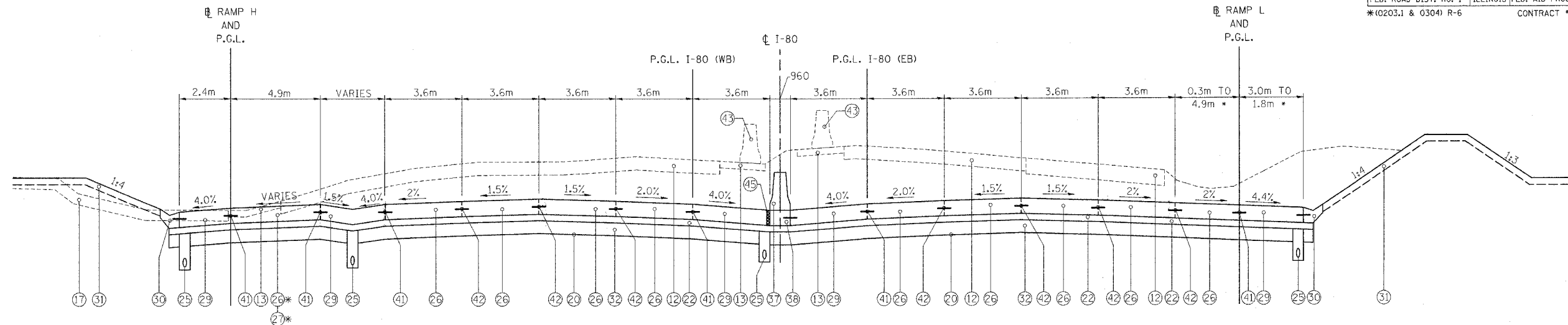
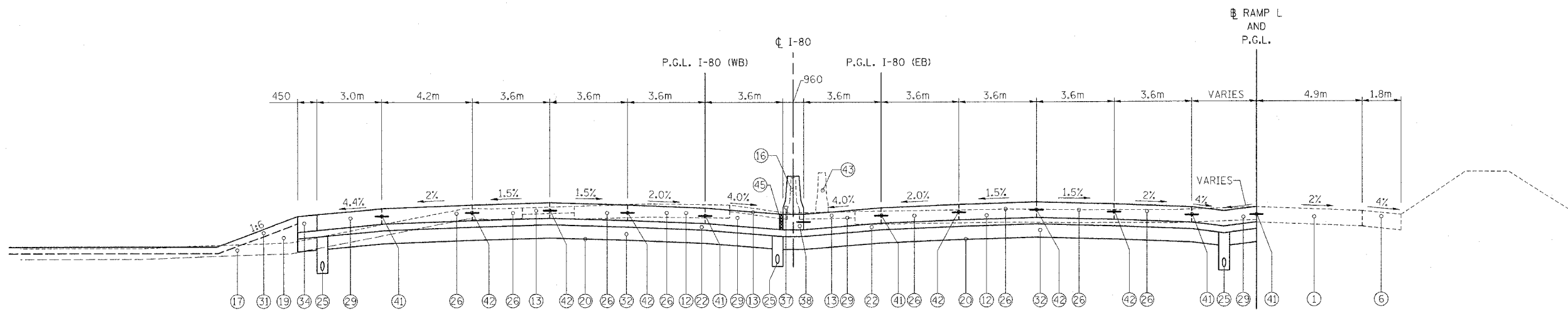


F.A.I. RTE.	SECTION	COUNTY	TOTAL SHEETS	SHEET NO.
80/94	*	COOK	231	17
STA.		TO STA.		
FED. ROAD DIST. NO. 1		ILLINOIS FED. AID PROJECT		
*(0203.1 & 0304) R-6		CONTRACT * 62105		



PROPOSED TYPICAL SECTION
 STA. 3+224.474 TO STA. 3+371.049 @ I-80 (EB & WB)
 STA. 130+882.000 TO STA. 131+012.000 RAMP H
 STA. 160+000.000 TO STA. 160+125.505 RAMP L

* SEE PROPOSED ROADWAY PLANS FOR LOCATION



PROPOSED TYPICAL SECTION
 STA. 3+371.049 TO STA. 3+451.016 @ I-80 (EB & WB)
 STA. 160+125.505 TO STA. 160+205.492 RAMP L

NOTES:
 □ ITEM TO BE CONSTRUCTED TO EXTENDED LIFE CONCRETE PAVEMENT (30 YEAR) SPECIFICATIONS
 FOR LEGEND AND NOTES SEE TS-4

TS-2

REVISIONS		ILLINOIS DEPARTMENT OF TRANSPORTATION F.A.I. ROUTE 80/94 (INTERSTATE 80/294)
NAME	DATE	
		TYPICAL SECTIONS

DATE: JULY 18, 2005
 DRAWN BY: CTT
 CHECKED BY: RCH

McDonough Associates Inc.
 Engineers / Architects