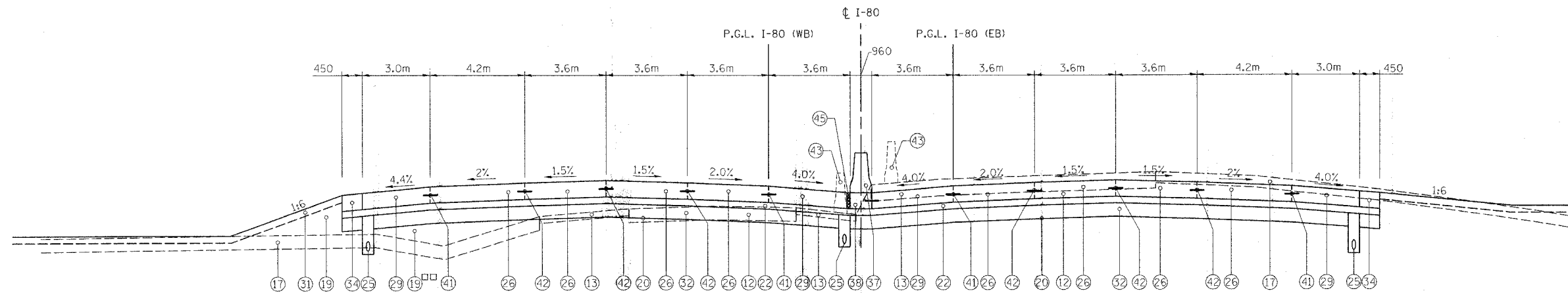
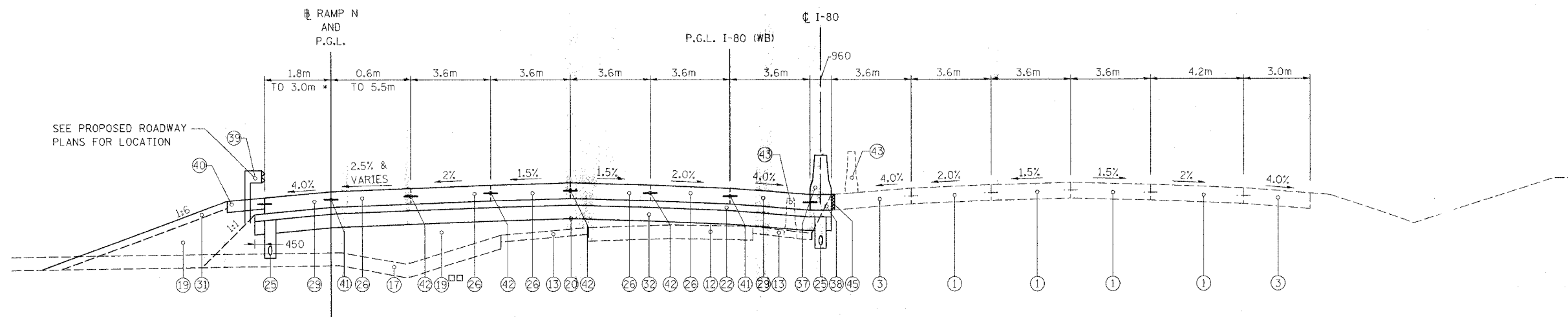


F.A.I. RTE.	SECTION	COUNTY	TOTAL SHEETS	SHEET NO.
80/94	*	COOK	231	18
STA.	TO STA.			
FED. ROAD DIST. NO. 1	ILLINOIS	FED. AID PROJECT		
*(0203.1 & 0304) R-6			CONTRACT # 62105	



PROPOSED TYPICAL SECTION
 STA. 3+451.016 TO STA. 3+550.000 \pm I-80 (EB & WB)



PROPOSED TYPICAL SECTION
 STA. 3+550.000 TO STA. 3+807.070 \pm I-80 (WB)
 STA. 180+230.876 TO STA. 180+476.334 \pm RAMP N

* SEE PROPOSED ROADWAY PLANS FOR LOCATION

NOTES:

- ITEM TO BE CONSTRUCTED TO EXTENDED LIFE CONCRETE PAVEMENT (30 YEAR) SPECIFICATIONS

FOR LEGEND AND NOTES SEE TS-4

TS-3

REVISIONS		ILLINOIS DEPARTMENT OF TRANSPORTATION F.A.I. ROUTE 80/94 (INTERSTATE 80/294)
NAME	DATE	
		TYPICAL SECTIONS

DATE: JULY 18, 2005
 DRAWN BY: CTT
 CHECKED BY: RCH

McDonough Associates Inc.
 Engineers / Architects