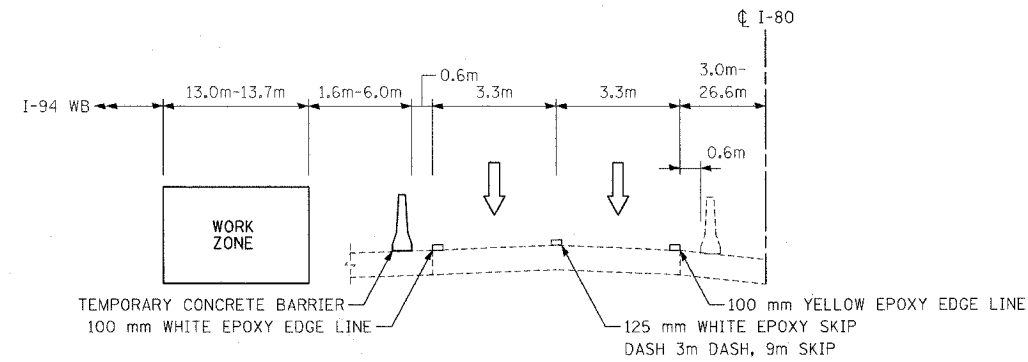
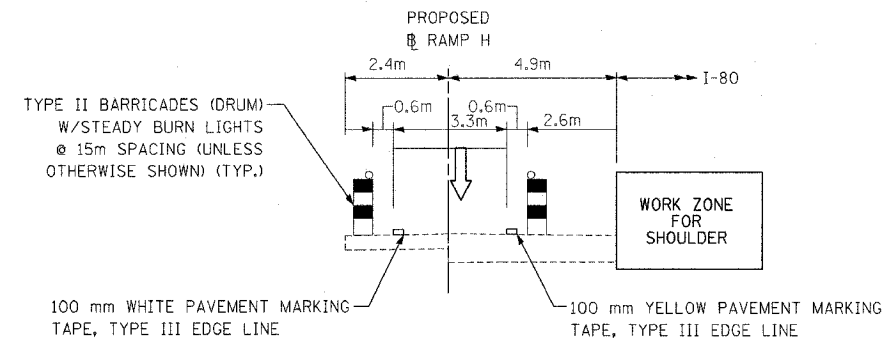


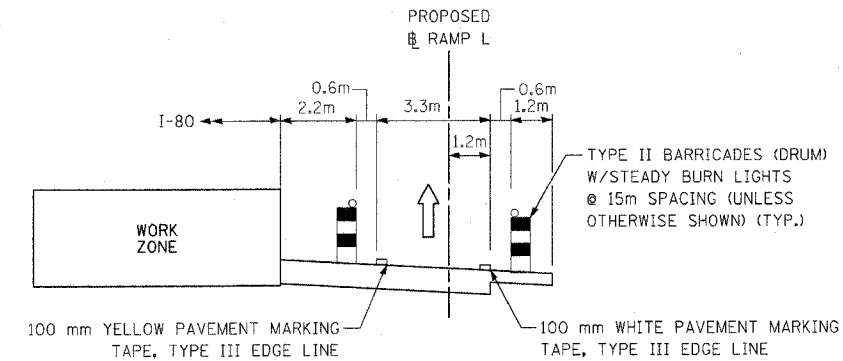
F.A.I. RTE.	SECTION	COUNTY	TOTAL SHEETS	SHEET NO.
80/94	*	COOK	231	32
STA.		TO STA.		
FED. ROAD DIST. NO. 1		ILLINOIS FED. AID PROJECT		
*(0203.1 & 0304) R-6		CONTRACT # 62105		



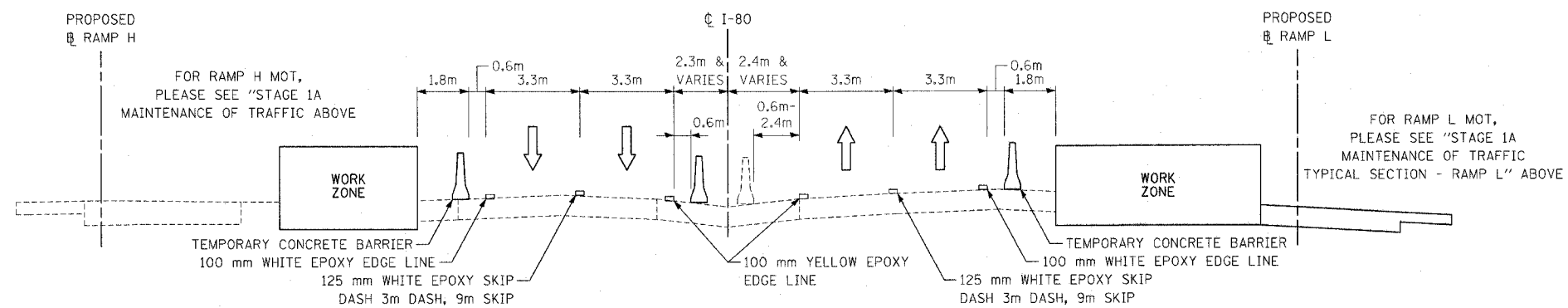
STAGE 1 MAINTENANCE OF TRAFFIC TYPICAL SECTION - INTERSTATE 80 WB  
 STAGE 1A MAINTENANCE OF TRAFFIC TYPICAL SECTION - INTERSTATE 80 WB  
 STA. 3+550.0 TO STA. 3+956.9 @ I-80



STAGE 1A MAINTENANCE OF TRAFFIC TYPICAL SECTION - RAMP H  
 LOOKING DOWN STATION  
 STA. 130+750.0 @ RAMP H TO STA. 2+900.0 @ I-80 (EB)



STAGE 1A MAINTENANCE OF TRAFFIC TYPICAL SECTION - RAMP L  
 STA. 3+042.8 @ I-80 TO STA. 160+325.3 @ RAMP L



STAGE 1A MAINTENANCE OF TRAFFIC TYPICAL SECTION - INTERSTATE 80  
 STA. 2+967.7 TO STA. 3+550.0 @ I-80 (EB)  
 STA. 2+967.7 TO STA. 3+550.0 @ I-80 (WB)

MT-2

REVISIONS		ILLINOIS DEPARTMENT OF TRANSPORTATION F.A.I. ROUTE 80/94 (INTERSTATE 80/294)
NAME	DATE	
		MAINTENANCE OF TRAFFIC TYPICAL SECTIONS  DATE: JULY 18, 2005 DRAWN BY: AAS CHECKED BY: RCH McDonough Associates Inc. Engineers / Architects