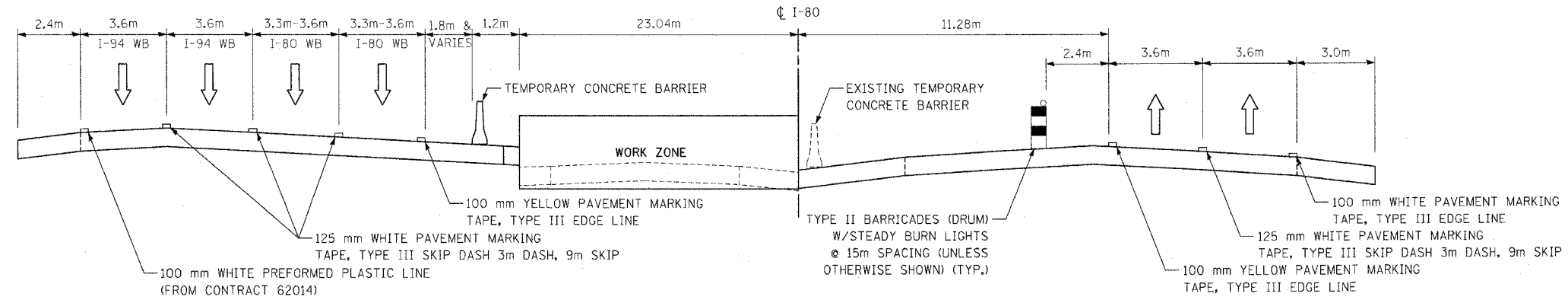
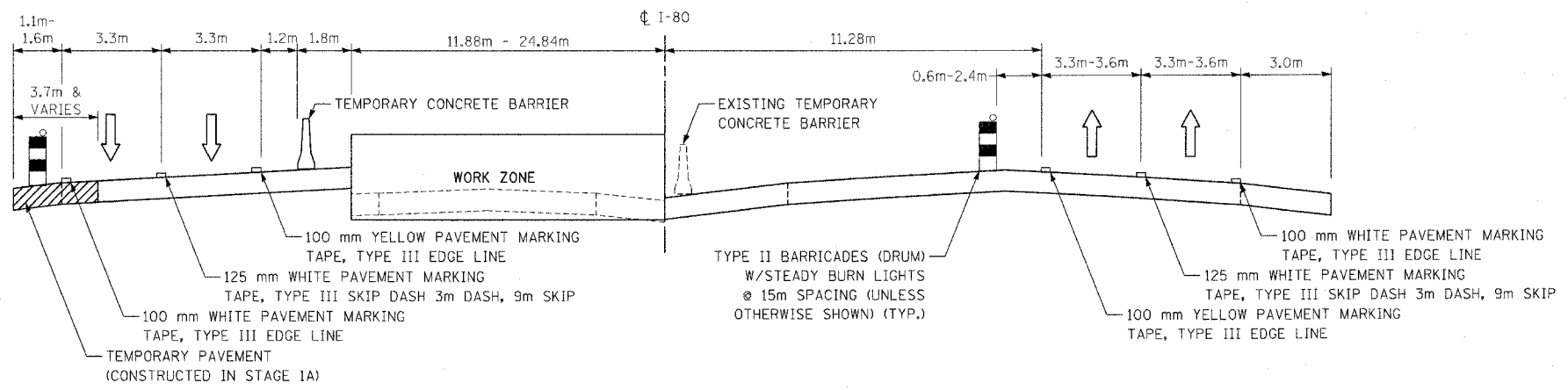


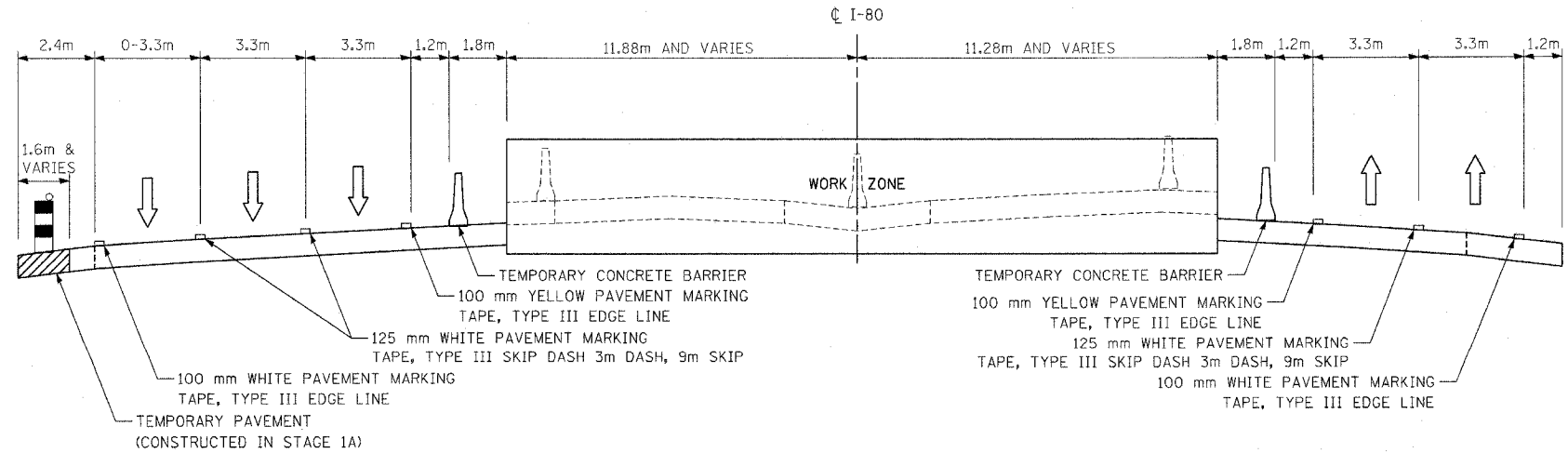
F.A.I. RTE.	SECTION	COUNTY	TOTAL SHEETS	SHEET NO.
80/94	*	COOK	231	33
STA.		TO STA.		
FED. ROAD DIST. NO. 1		ILLINOIS FED. AID PROJECT		
*(0203.1 & 0304) R-6		CONTRACT # 62105		



STAGE 2 MAINTENANCE OF TRAFFIC TYPICAL SECTION - INTERSTATE 80  
STA. 4+105.5 TO STA. 4+500.0  $\phi$  I-80



STAGE 2 MAINTENANCE OF TRAFFIC TYPICAL SECTION - INTERSTATE 80  
(LANE WIDTH TRANSITIONS FROM 3.3m TO 3.6m  
FROM STA. 3+550.0 TO STA. 3+630.0 FOR I-80 EB)  
STA. 3+550.0 TO STA. 4+105.5  $\phi$  I-80



STAGE 2 MAINTENANCE OF TRAFFIC TYPICAL SECTION - INTERSTATE 80  
STA. 2+967.7 TO STA. 3+550.0  $\phi$  I-80

REVISIONS	
NAME	DATE

ILLINOIS DEPARTMENT OF TRANSPORTATION  
F.A.I. ROUTE 80/94 (INTERSTATE 80/294)

MAINTENANCE OF TRAFFIC  
TYPICAL SECTIONS

DATE: JULY 18, 2005

DRAWN BY: AAS  
CHECKED BY: RCH

**McDonough Associates Inc.**  
Engineers / Architects

MT-3