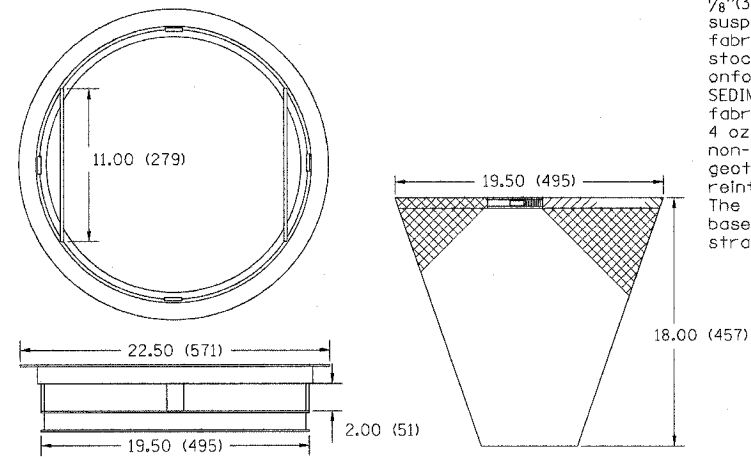


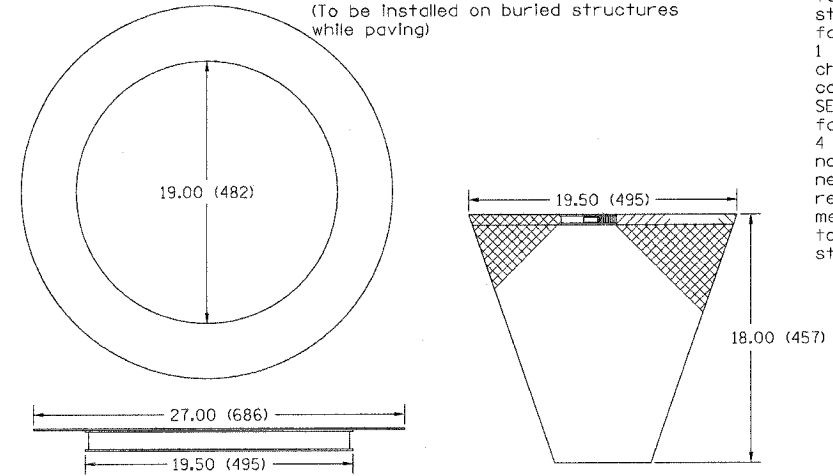
F.A.I. RTE.	SECTION	COUNTY	TOTAL SHEETS	SHEET NO.
80/94	*	COOK	231	147
STA.		TO STA.		
FED. ROAD DIST. NO. 1		ILLINOIS	FED. AID PROJECT	
*(0203.1 & 0304) R-6		CONTRACT # 62105		

TYPE I INLET FILTER



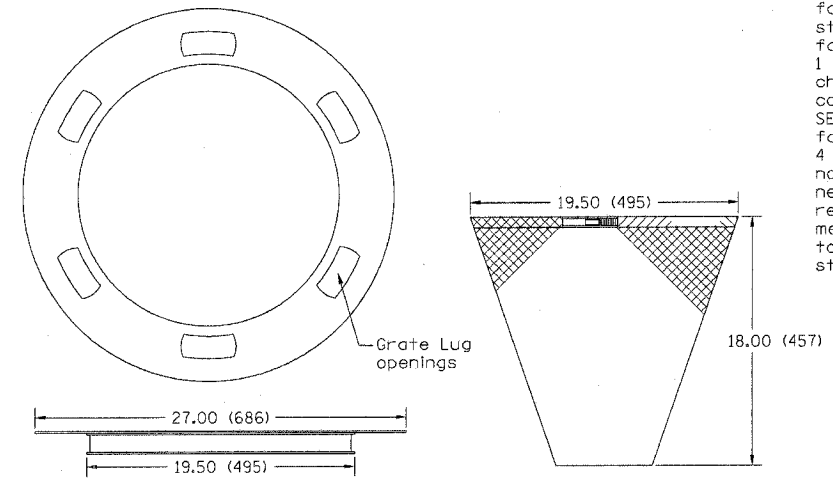
NOTES:  
 FRAME: Top ring shall be fabricated from 1 1/4"(31.7) x 1 1/4"(31.7) x 1/8"(3.1) angle. Base ring shall be fabricated from 1 1/2"(38.1) x 1/2"(12.7) x 1/8"(3.1) channel. Handles and suspension brackets shall be fabricated from 1 1/4"(31.7) x 1/4"(6.3) flat stock. Domestic steel conforming to ASTM-A36.  
 SEDIMENT BAGS: Shall be fabricated from 4 oz./sq. yd.(0.142 L/SQ M) non-woven polypropylene geotextile and shall be reinforced with polyester mesh. The bag shall be secured to the base ring with a stainless steel strap and lock.

CATCH BASIN & INLET FILTER  
 (To be installed on buried structures while paving)



NOTES:  
 FRAME: Flange shall be fabricated from 1/8"(3.1) flat stock. Base ring shall be fabricated from 1 1/2"(38.1) x 1/2"(12.7) x 1/8"(3.1) channel. Domestic steel conforming to ASTM-A36.  
 SEDIMENT BAG: Shall be fabricated from 4 oz./sq. yd.(0.142 L/SQ M) non-woven polypropylene geotextile and shall be reinforced with polyester mesh. The bag shall be secured to the base ring with a stainless steel strap and lock.

TYPE 8 INLET FILTER



NOTES:  
 FRAME: Flange shall be fabricated from 1/8"(3.1) flat stock. Base ring shall be fabricated from 1 1/2"(38.1) x 1/2"(12.7) x 1/8"(3.1) channel. Domestic steel conforming to ASTM-A36.  
 SEDIMENT BAG: Shall be fabricated from 4 oz./sq. yd.(0.142 L/SQ M) non-woven polypropylene geotextile and shall be reinforced with polyester mesh. The bag shall be secured to the base ring with a stainless steel strap and lock.

NOTE: ALL UNITS ARE IN INCHES (MILLIMETERS) UNLESS OTHERWISE NOTED

ED-8

REVISIONS		ILLINOIS DEPARTMENT OF TRANSPORTATION F.A.I. ROUTE 80/94 (INTERSTATE 80/294)
NAME	DATE	
		SEDIMENT CONTROL DRAINAGE STRUCTURE INLET FILTER  NOT TO SCALE DATE: JULY 18, 2005 DRAWN BY: JPW CHECKED BY: RCH  McDonough Associates Inc. Engineers / Architects