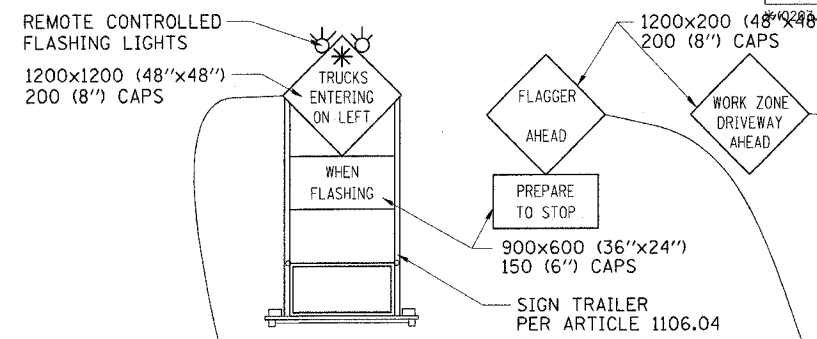
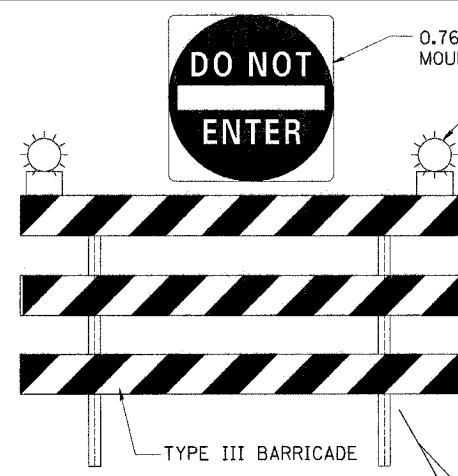
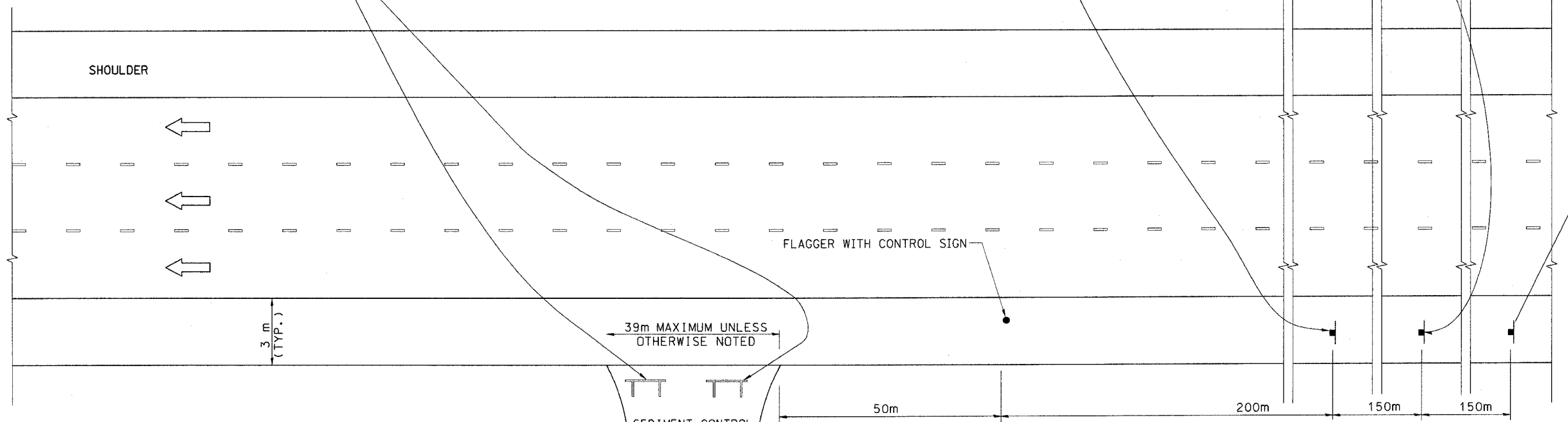


F.A.I. RTE.	SECTION	COUNTY	TOTAL SHEETS	SHEET NO.
80/94	*	COOK	231	148
STA.	TO STA.			
FED. ROAD DIST. NO. 1	ILLINOIS	FED. AID PROJECT		

* SIGNS ARE TO READ "TRUCK ENTERING ON LEFT/RIGHT"
"TRUCK LEAVING LEFT/RIGHT" AS APPLICABLE.



WARNING SIGNS SHALL HAVE
BLACK LEGEND ON ORANGE BACKGROUND



NOTES

1. THE "FLAGGER AHEAD" AND "TRUCKS ENTERING ON LEFT/RIGHT" SIGNS SHALL BE MOVED OR TURNED AWAY FROM TRAFFIC WHEN THE FLAGGING OPERATION CEASES.
2. WORK ZONE DRIVEWAYS SHALL BE LOCATED AS PER TABLE A OR AT LOCATIONS AS REQUESTED BY THE CONTRACTOR AND APPROVED BY THE ENGINEER.
3. THE FLASHING LIGHT ON THE "TRUCKS ENTERING ON LEFT" SIGN SHALL MEET THE REQUIREMENTS OF ARTICLE 702.05(c) AND BE OPERATED BY THE FLAGGER REMOTELY. THE LIGHTS SHALL BE FLASHING ONLY WHEN A VEHICLE IS ENTERING THE EXPRESSWAY.
4. EXITING THE WORK ZONE AT ANY PLACE OTHER THAN AT A WORK ZONE DRIVEWAY WILL BE PROHIBITED.
5. ALL VEHICLES SHALL ENTER THE WORK ZONE AT THESE OPENINGS. USING THEIR TURN SIGNALS TO WARN MOTORISTS.
6. INSTALL A MINIMUM OF 2 TYPE III BARRICADES WITH FLASHING LITES AND 1 DO NOT ENTER SIGN AT ALL TIMES WHEN NO WORK IS PERFORMED AT THE SITE. THE COSTS OF INSTALLING, MAINTAINING AND REMOVING ALL BARRICADES AND SIGNS SHOWN ON THIS SHEET SHALL BE INCLUDED IN THE UNIT BID PRICE FOR "TRAFFIC CONTROL AND PROTECTION (EXPRESSWAYS)"

**MAINTENANCE OF TRAFFIC
LEGEND AND SYMBOLS**

- FLAGGER WITH CONTROL SIGN
- ← DIRECTION OF TRAFFIC
- SIGN ON SUPPORT

STATION	LOCATION

NAME	DATE
J.P.W.	1/19/04

ED-9

ILLINOIS DEPARTMENT OF TRANSPORTATION
F.A.I. ROUTE 80/94 (INTERSTATE 80/294)

**TRAFFIC CONTROL FOR
STABILIZED CONSTRUCTION
ENTRANCE/EXIT**

SCALE: NONE
DATE: JULY 18, 2005

DRAWN BY: JPW
CHECKED BY: RCH

McDonough Associates Inc.
Engineers / Architects