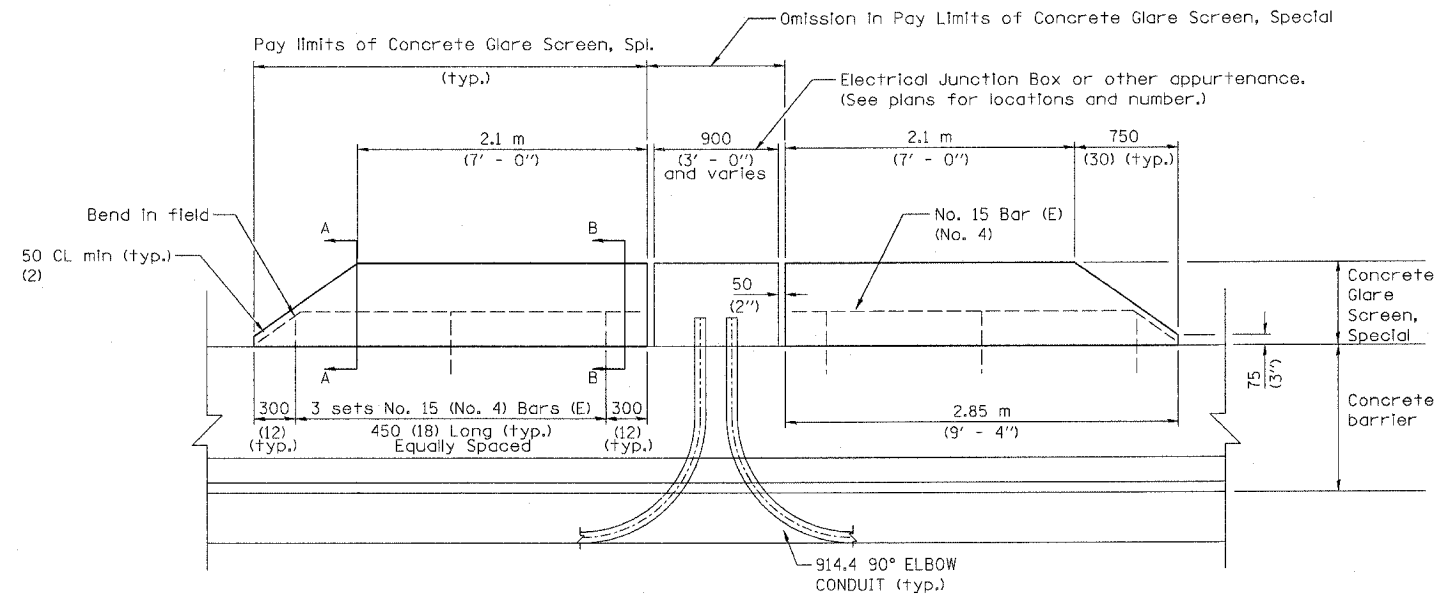
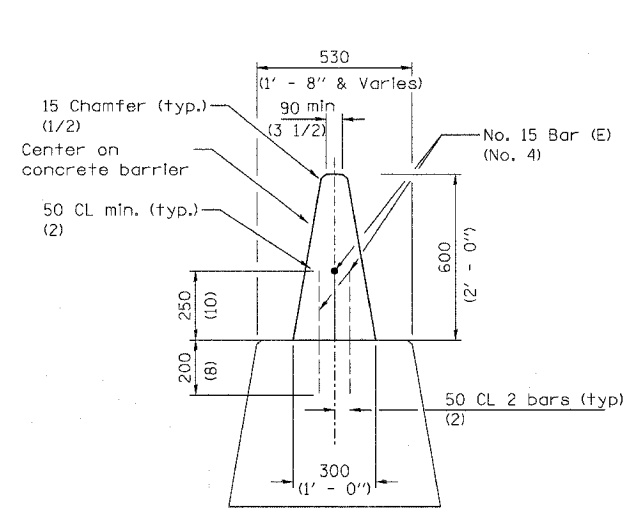


F.A.I. RTE.	SECTION	COUNTY	TOTAL SHEETS	SHEET NO.
80/94	*	COOK	231	165
STA.		TO STA.		
FED. ROAD DIST. NO. 1		ILLINOIS	FED. AID PROJECT	
*(0203.1 & 0304) R-6		CONTRACT # 62105		

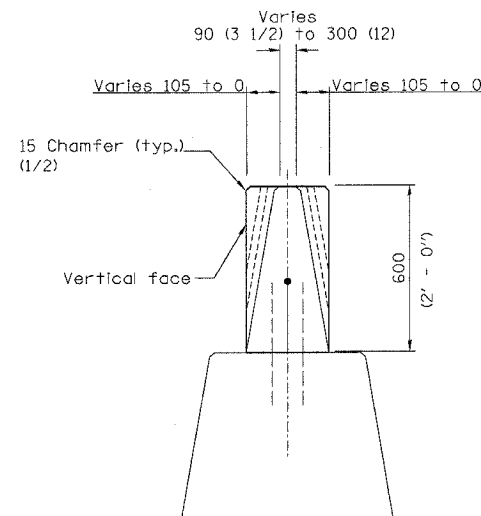


ALL DIMENSIONS IN METERS EXCEPT PAY ITEMS AND UNLESS NOTED OTHERWISE

ELEVATION



SECTION A-A



SECTION B-B

(This section with vertical face shall be used in tangent sections between junction boxes and or other appurtenances.)

All dimensions are in millimeters (Inches) unless otherwise shown.

MD-6

ILLINOIS DEPARTMENT OF TRANSPORTATION
I-80/94/US 6
KINGERY-BORMAN EXPRESSWAY
BURNHAM ROAD TO US 41
**CONCRETE GLARE SCREEN,
SPECIAL**

REVISIONS	
NAME	DATE

SCALE NONE DRAWN BY ACE/CAD
DATE 06/05 CHECKED BY

AMERICAN
CONSULTING ENGINEERS