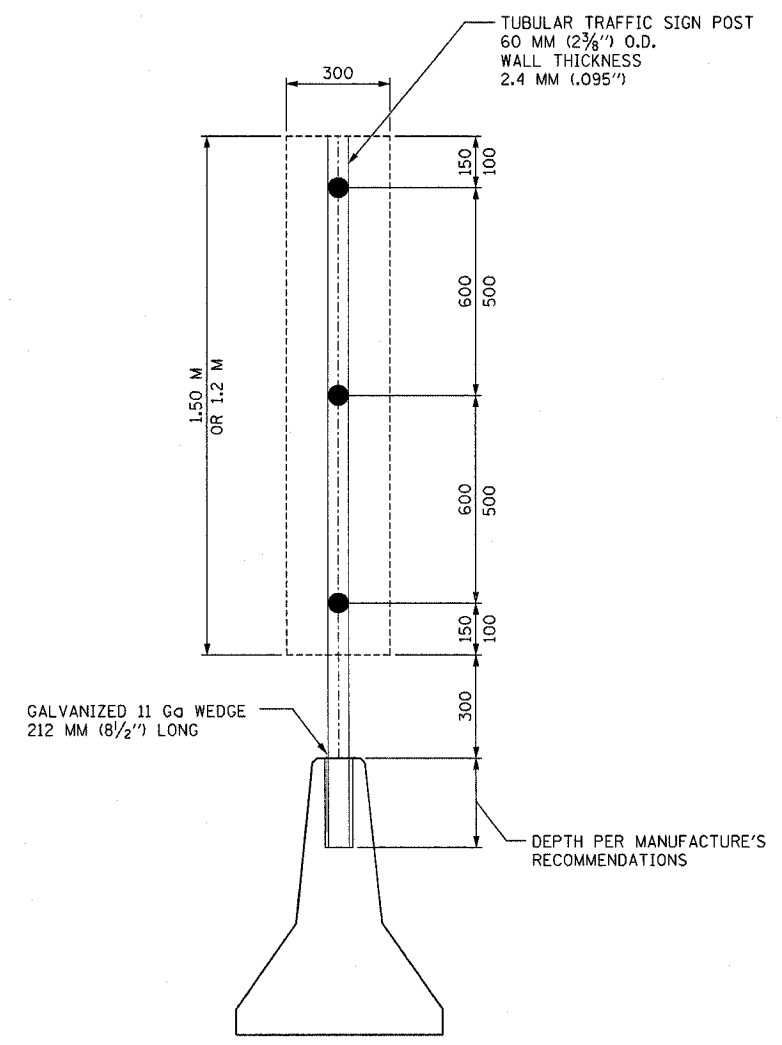
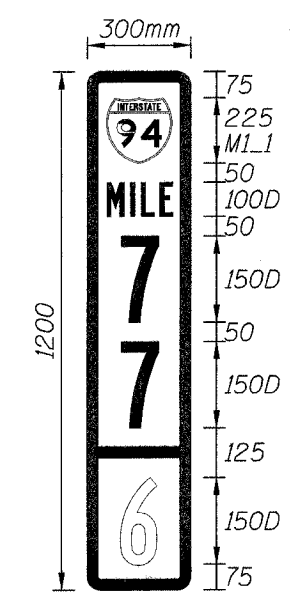


ALL DIMENSIONS IN MILLIMETERS EXCEPT
PAY ITEMS AND UNLESS NOTED OTHERWISE

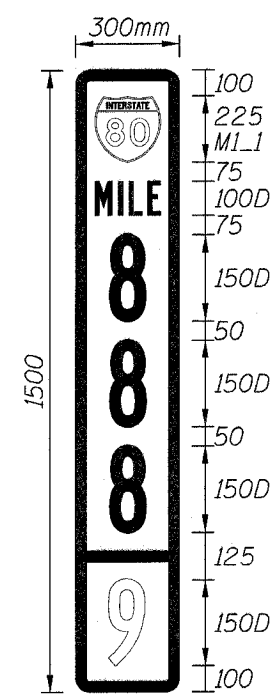
F.A.I. RTE.	SECTION	COUNTY	TOTAL SHEETS	SHEET NO.
80/94	*		231	170
STA.		TO STA.		
FED. ROAD DIST. NO. 1		ILLINOIS	FED. AID PROJECT	
*(0203.1 & 0304) R-6		CONTRACT # 62105		



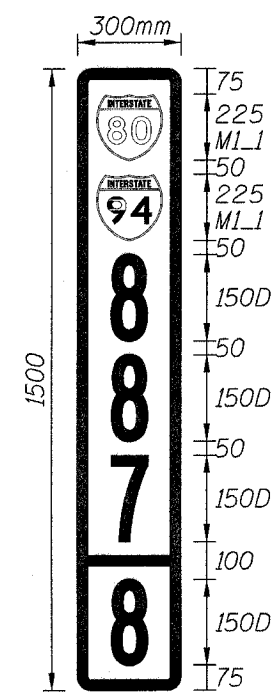
SIGN PANEL MOUNTING TO
BARRIER WALL
DETAIL



BORDER
R=40mm
TH=30mm
SIGN: WHITE/GREEN



BORDER
R=40mm
TH=30mm
SIGN: WHITE/GREEN



BORDER
R=40mm
TH=30mm
SIGN: WHITE/GREEN

ILLINOIS MILE MARKER SIGN

MD-11

ILLINOIS DEPARTMENT OF TRANSPORTATION
I-80/94/US 6
KINGERY-BORMAN EXPRESSWAY
BURNHAM ROAD TO US 41
**MILE MARKER SIGN AND
POST DETAILS**

SCALE NONE
DATE 03/05

DRAWN BY ACE/CAD
CHECKED BY

REVISIONS	
NAME	DATE