

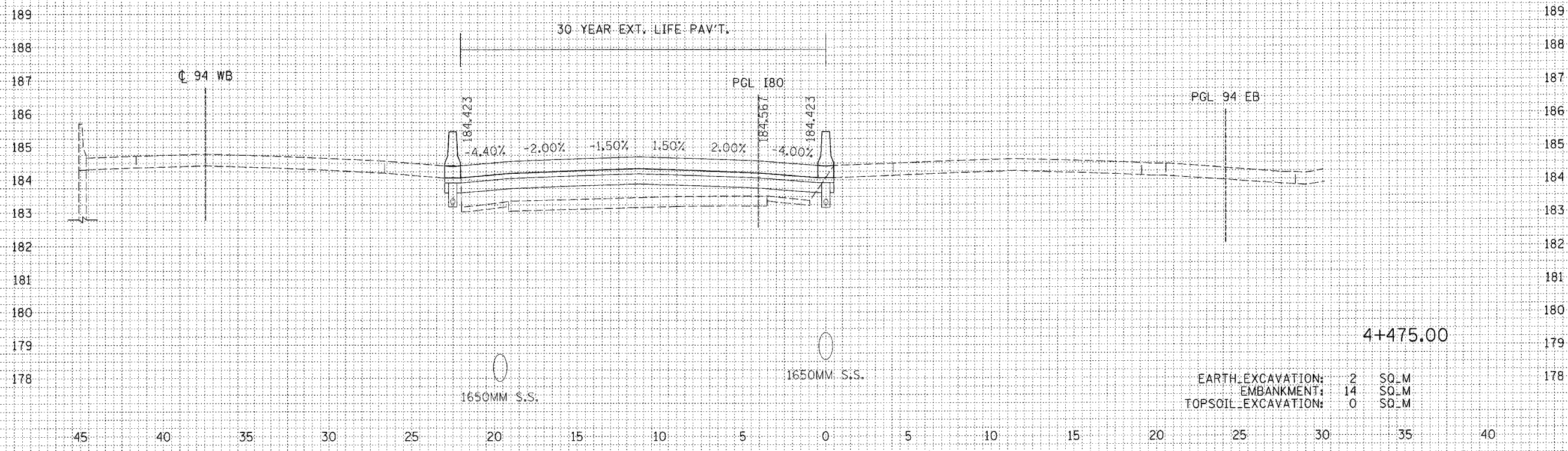
F.A.I. RTE.	SECTION	COUNTY	TOTAL SHEETS	SHEET NO.
80/94	0203.1 & 0304R-6	COOK	231	230
STA.		TO STA.		
FED. ROAD DIST. NO. 1		ILLINOIS FED. AID PROJECT		

CONTRACT # 62105

45 40 35 30 25 20 15 10 5 0 5 10 15 20 25 30 35 40

FINAL SURVEY	BY	DATE
REVISIONS		
NOTE BOOK		
AREAS CHECKED		

ORIGINAL SURVEY	BY	DATE
REVISIONS		
NOTE BOOK		
AREAS CHECKED		



EARTH EXCAVATION: 2 SQ.M
 EMBANKMENT: 14 SQ.M
 TOPSOIL EXCAVATION: 0 SQ.M

REVISIONS		ILLINOIS DEPARTMENT OF TRANSPORTATION F.A.I. ROUTE 80/94 (INTERSTATE 80/294)
NAME	DATE	
		CROSS SECTIONS I-80 HORIZ. SCALE: 1:250 VERT. SCALE: 1:125 DATE: JULY 18, 2005 DRAWN BY: CTT CHECKED BY: RCH McDonough Associates Inc. Engineers / Architects