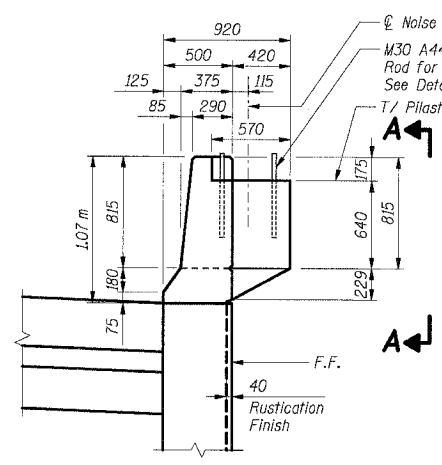
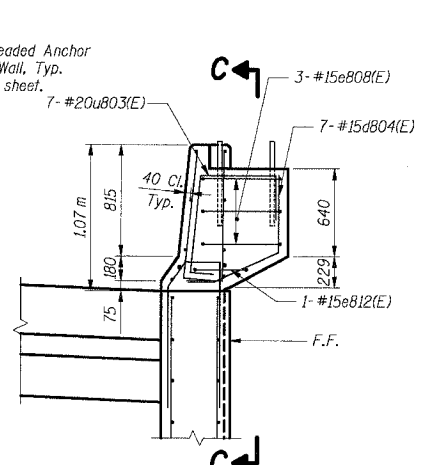


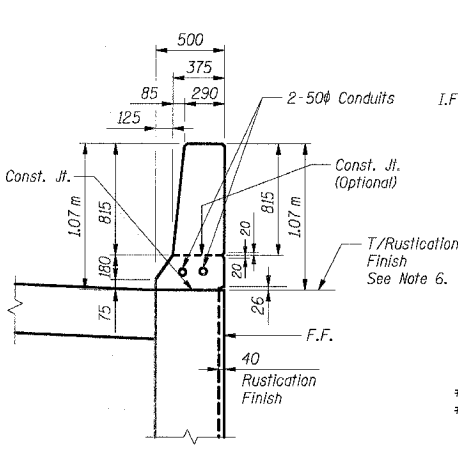
F.A.I. RTE.	SECTION	COUNTY	TOTAL SHEETS	SHEET NO.
80/94	*	COOK	631	352
STA.	TO STA.			
FED. ROAD DIST. NO.	ILLINOIS	FED. AID PROJECT		
* (2425 & 2626) R-2		CONTRACT NO. 62111		



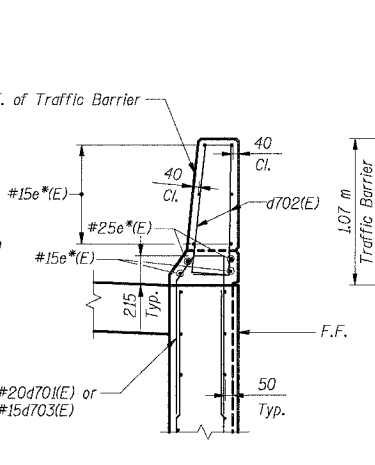
TRAFFIC BARRIER W/PILASTER



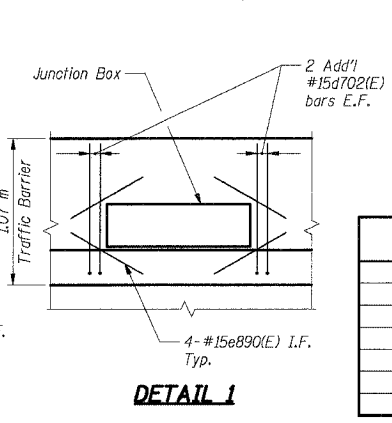
TRAFFIC BARRIER W/PILASTER (Showing Reinforcement)



TYPICAL TRAFFIC BARRIER SECTION



TYPICAL TRAFFIC BARRIER SECTION (Showing Reinforcement)



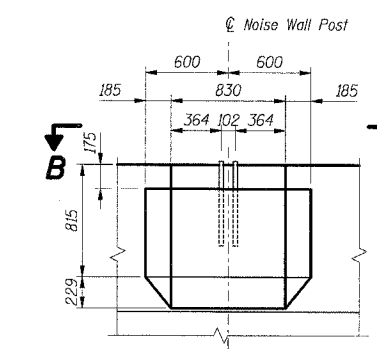
DETAIL 1

BAR LIST FOR EACH PILASTER (FOR INFORMATION ONLY)

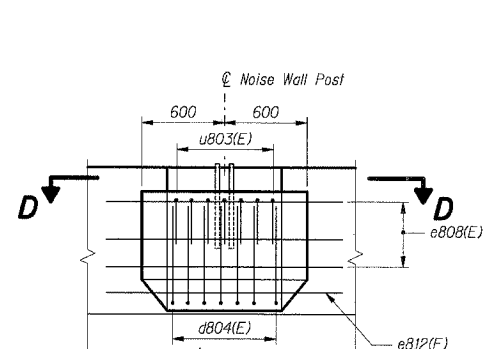
Bar	No.	Size	Length (m)	Shape
d804(E)	7	#15	1.30	U
e808(E)	3	#15	2.56	W
e812(E)	1	#15	2.20	W
u803(E)	7	#20	2.00	U

BILL OF MATERIAL

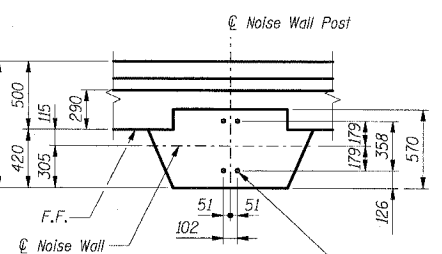
Item	Unit	Total
Noise Abatement Wall Anchor Rod Assembly	Ea	11



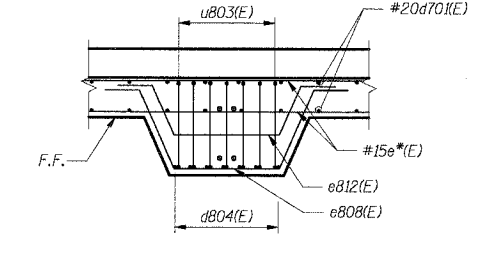
ELEVATION A-A



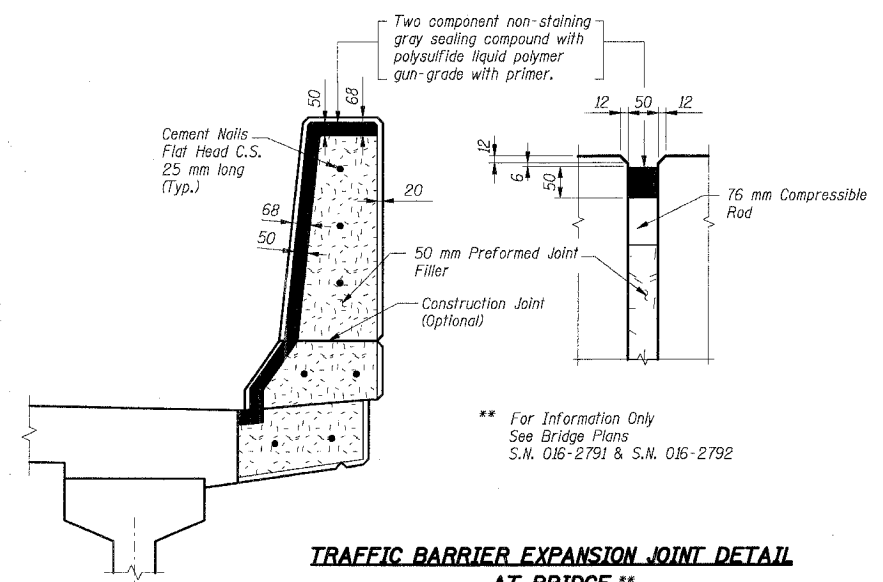
SECTION C-C



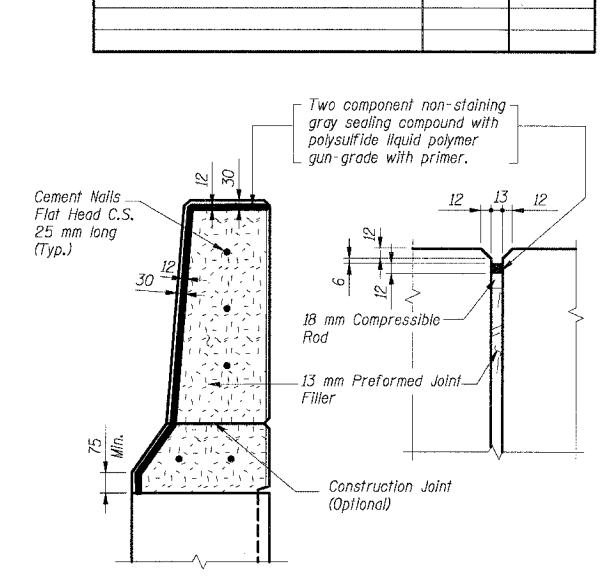
PLAN B-B



SECTION D-D

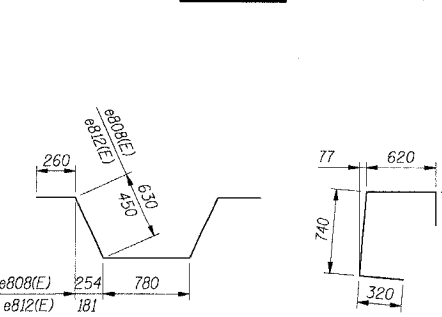


TRAFFIC BARRIER EXPANSION JOINT DETAIL AT BRIDGE

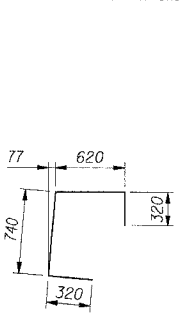


TYPICAL TRAFFIC BARRIER EXPANSION JOINT DETAIL

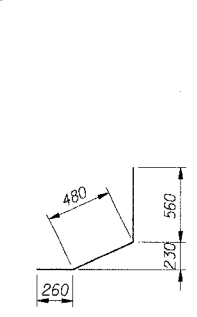
Cost of joint sealant, P.J.F. and cement nails are included with Concrete Structures.



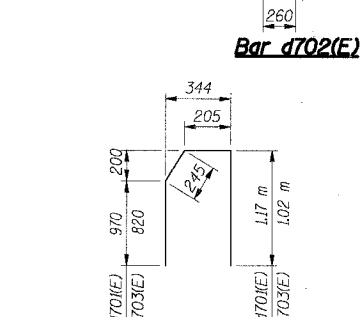
Bars e808(E) & e812(E)



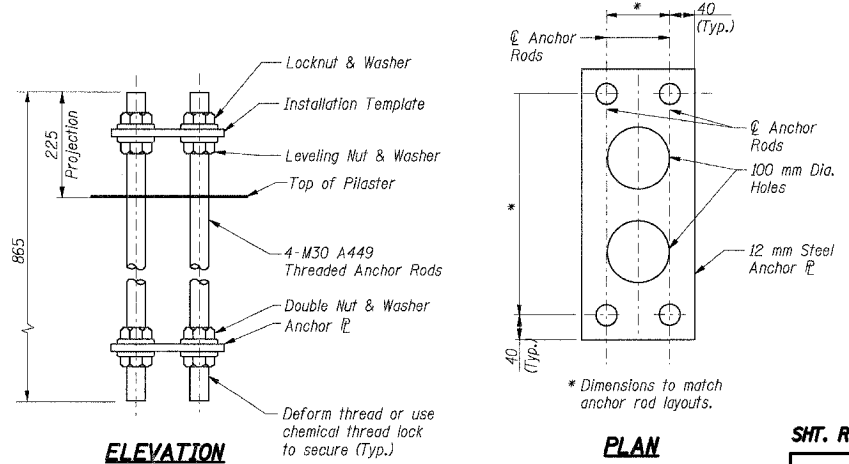
Bar u803(E)



Bar d804(E)



Bars d701(E) & d703(E)



ELEVATION

PLAN

Note: Entire anchor rod assembly shall be hot dip galvanized.

NOISE ABATEMENT WALL ANCHOR ROD ASSEMBLY (11 Required)

- Notes:
- All dimensions are in millimeters (mm) except as noted.
 - Reinforcement bars designated (E) shall be epoxy coated.
 - All edges shall have a 20 mm chamfer unless noted otherwise.
 - E.F. indicates each face.
 - B.F. indicates back face.
 - F.F. indicates front face.
 - *Indicates for location of bars, identification and quantity, see Footing Plans & Wall Elevations.
 - For Rustication Finish details, see Sht. RW850-49.

*** 2001-16TR, (2425 & 2626) R-1 AND (2425 & 2626) R-2

ILLINOIS DEPARTMENT OF TRANSPORTATION
F.A.I. ROUTE 80/94 (KINGERY EXPRESSWAY)
EB & WB INSIDE LANES (MAINLINE) CONSTRUCTION
RETAINING WALL - STRUCTURE NO. 016-W850
SECTIONS ***
COOK COUNTY

TRAFFIC BARRIER SECTIONS & DETAILS

SHT. RW850-47 OF 58

REVISIONS	
NAME	DATE

DATE: 7/18/2005

DRAWN BY: MJK
CHECKED BY: MJK

TENG

TENG & ASSOCIATES, INC.
ENGINEERS/ARCHITECTS/PLANNERS
CHICAGO, ILLINOIS

11-2-2005, 10:24:49
 T:\DOCUMENTS\STRUCT\ADONR570852A.DGN
 BAJ/ZEK/J
 12 3 4 5 6 7 8 9 10 11 12 13 14 15 16 17 18 19 20 21 22 23 24 25 26 27 28 29 30 31 32 33 34 35 36 37 38 39 40 41 42 43 44 45 46 47 48 49 50 51 52 53 54 55 56 57 58 59 60 61 62 63