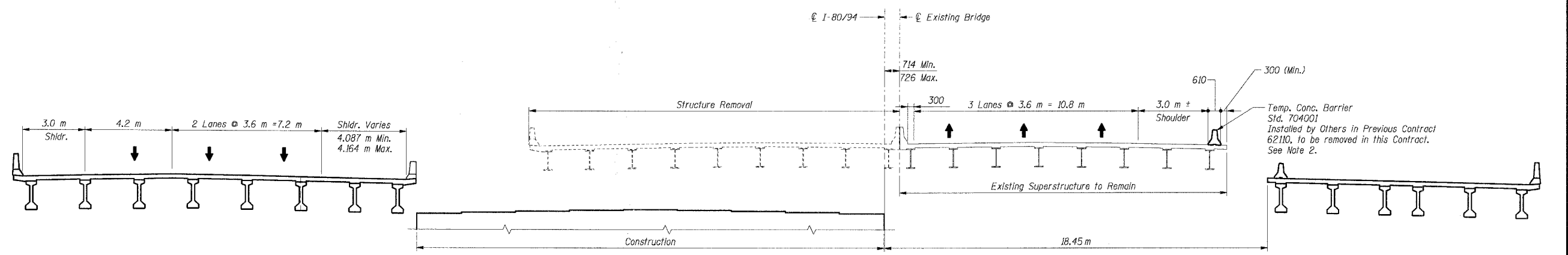
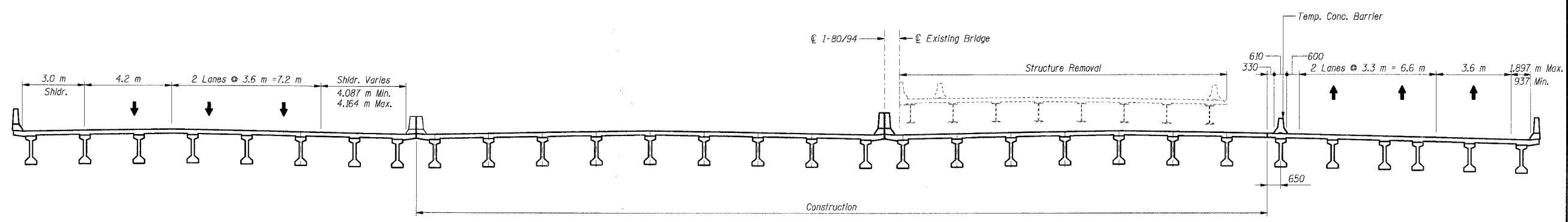


F.A.I. RTE.	SECTION	COUNTY	TOTAL SHEETS	SHEET NO.
80/94	*	COOK	631	377
STA.	TO STA.			
FED. ROAD DIST. NO.	ILLINOIS	FED. AID PROJECT		
• (2425 & 2626) R-2			CONTRACT NO. 62111	



**STAGE 2 (M.O.T. Phase III, Stage I)**  
**(THIS CONTRACT)**  
 (Looking up-station)



**STAGE 3 (M.O.T. Phase III, Stages II and III)**  
**(THIS CONTRACT)**  
 (Looking up-station)

- Notes:**
- All dimensions are in millimeters (mm) except as noted.
  - See Sht. RS-67 For Temporary Concrete Barrier Installation details. See Roadway Plans for pay items and quantities.

\\MS990102A.DGN, ... \CS99R022A.DGN  
 7-12-2005, 10:25:23  
 1: \DOCUMENT\683750\STRUCT\VDON\CS72032A.DGN  
 12.3.4.56.78.9.10.11.12.13.14.15.16.17.18.19.20.21.22.23.24.25.26.27.28.29.30.31.32.33.34.35.36.37.38.39.40.41.42.43.44.45.46.47.48.49.50.51.52.53.54.55.56.57.58.59.60.61.62.63

SHT. RS-5 OF 70

REVISIONS	
NAME	DATE

ILLINOIS DEPARTMENT OF TRANSPORTATION  
 F.A.I. ROUTE 80/94 (KINGERY EXPRESSWAY)  
 EB & WB INSIDE LANES (MAINLINE) CONSTRUCTION  
 I-80/94 OVER RAILROAD AVENUE  
 STRUCTURE NO. 016-2792 STA. 6+025.000  
 SECTION 1977-121-R  
 COOK COUNTY

**CONSTRUCTION STAGING - II**

DATE: 7/18/2005

DRAWN BY: LG  
 CHECKED BY: MJK

**TENG** TENG & ASSOCIATES, INC.  
 ENGINEERS/ARCHITECTS/PLANNERS  
 CHICAGO, ILLINOIS