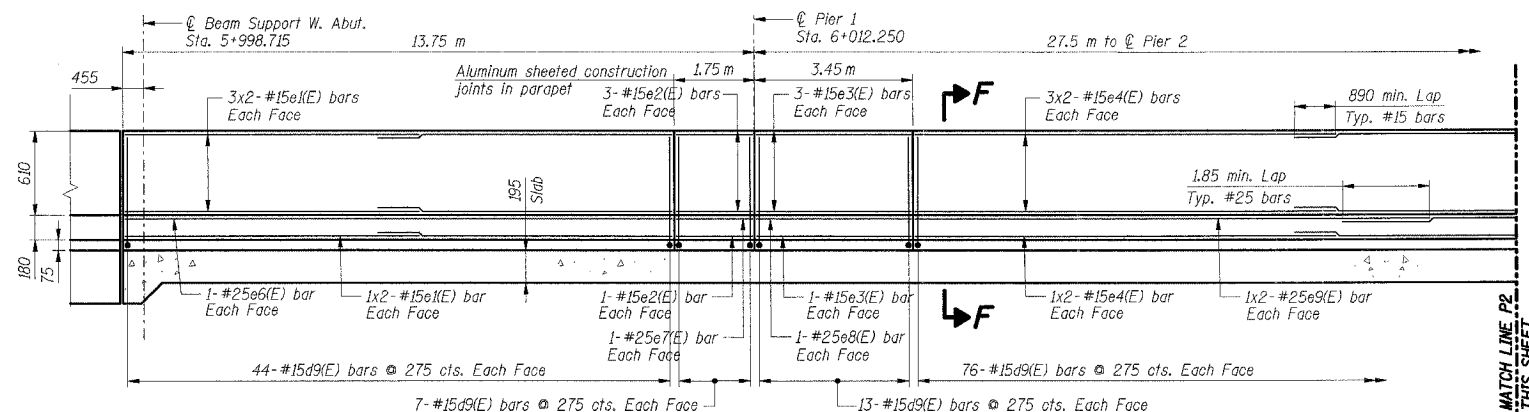
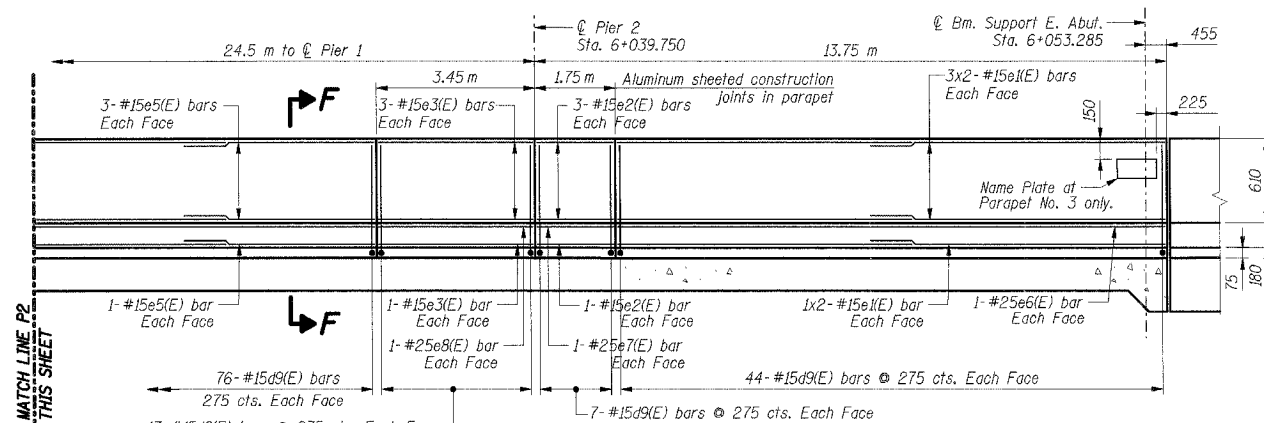


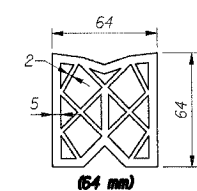
F.A.I. RTE.	SECTION	COUNTY	TOTAL SHEETS	SHEET NO.
80/94	*	COOK	631	408
STA.	TO STA.			
FED. ROAD DIST. NO.	ILLINOIS	FED. AID PROJECT		
* (2425 & 2626) R-2			CONTRACT NO. 62111	



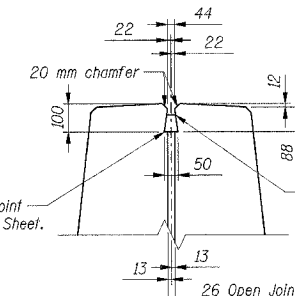
INSIDE ELEVATION PARAPETS NO. 2 & 3
(Parapet No. 3 shown, Parapet No. 2 Opposite Hand)



INSIDE ELEVATION PARAPETS NO. 2 & 3
(Parapet No. 3 shown, Parapet No. 2 Opposite Hand)

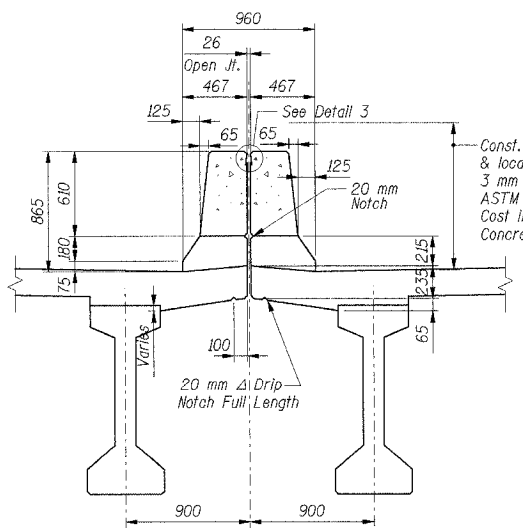


PREFORMED JOINT SEAL

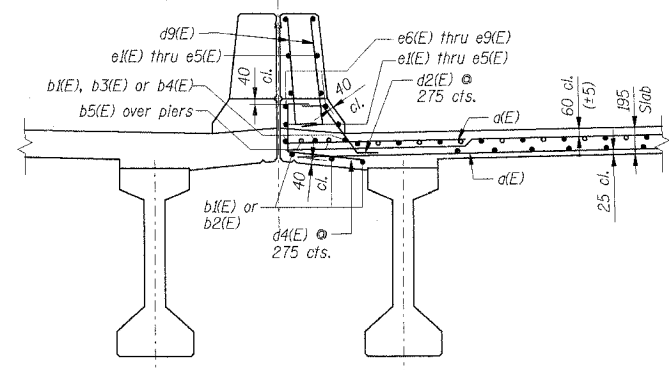


DETAIL 3

- Notes:**
- All dimensions are in millimeters (mm) except as noted.
 - Reinforcement bars designated (E) shall be epoxy coated.
 - Bars indicated thus 74x10-#15 etc. indicates 74 lines of bars with 10 lengths per line.
 - Work this Sheet with Shts. RS-24 thru RS-27.
 - I.F. Denotes Inside Face.
 - O.F. Denotes Outside Face.
 - All edges shall have a 20 mm chamfer unless noted otherwise.
 - For name plate details, see Sht. RS-3.



SECTION F-F
(Showing Geometry)



SECTION F-F
(Showing Reinforcement)

**ONLY PARAPET 3
CONSTRUCTED IN
THIS CONTRACT**

SHT. RS-36 OF 70

REVISIONS	
NAME	DATE

ILLINOIS DEPARTMENT OF TRANSPORTATION
F.A.I. ROUTE 80/94 (KINGERY EXPRESSWAY)
EB & WB INSIDE LANES (MAINLINE) CONSTRUCTION
1-80/94 OVER RAILROAD AVENUE
STRUCTURE NO. 016-2792 STA. 6+025.000
SECTION 1977-121-R
COOK COUNTY

**MEDIAN PARAPET
ELEVATION & DETAILS - I**

DATE: 9/13/05
DRAWN BY: LAR
CHECKED BY: MJK

TENG
TENG & ASSOCIATES, INC.
ENGINEERS/ARCHITECTS/PLANNERS
CHICAGO, ILLINOIS

\S:\P99022A\DCN\A4899002A.DGN
 9-09-2005 10:28:57
 I:\DOCUMENT\1937\PROJECT\ADN\SU17312A.DGN
 12.3.4.56.78.9.10.11.12.13.14.15.16.17.18.19.20.21.22.23.24.25.26.27.28.29.30.31.32.33.34.35.36.37.38.39.40.41.42.43.44.45.46.47.48.49.50.51.52.53.54.55.56.57.58.59.60.61.62.63