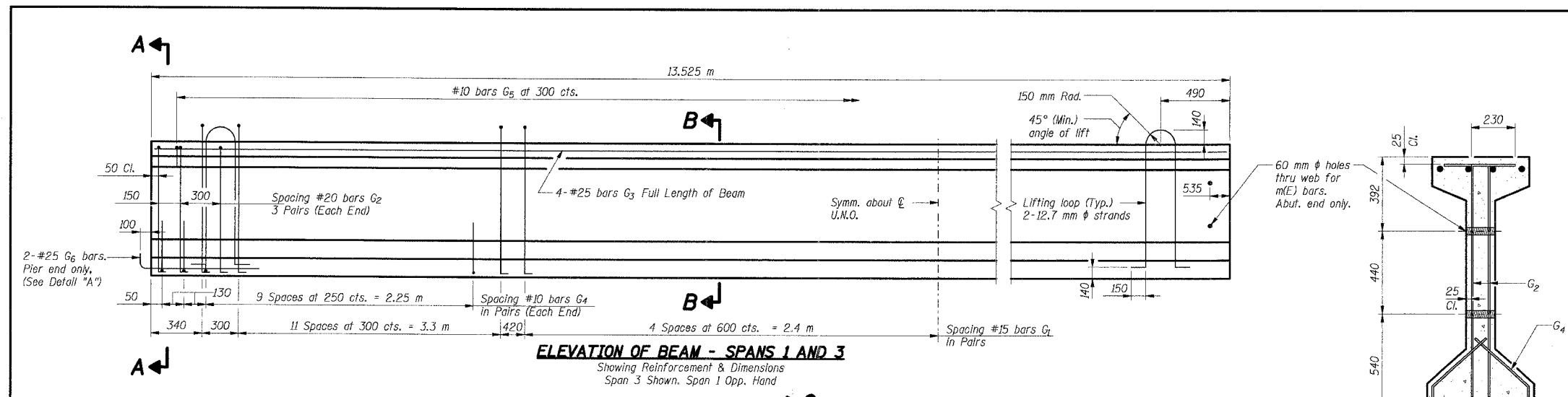
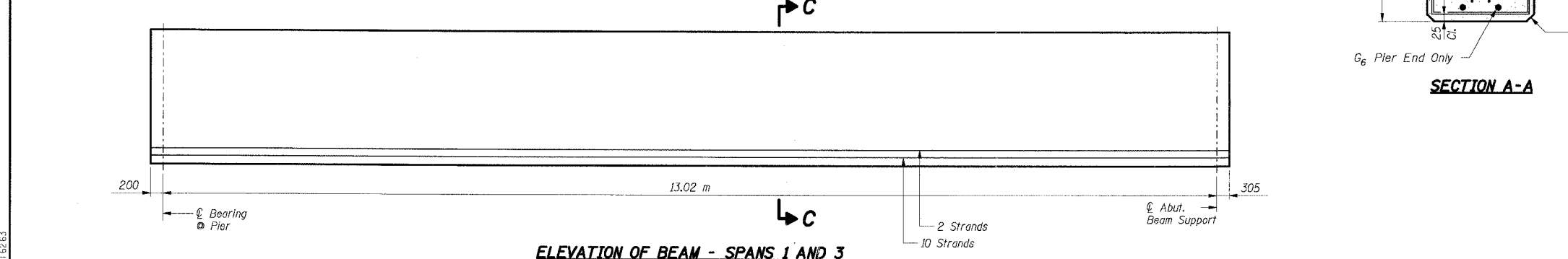


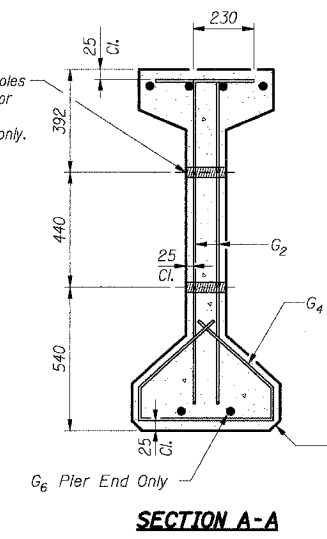
F.A.I. RTE.	SECTION	COUNTY	TOTAL SHEETS	SHEET NO.
80/94		COOK	631	414
STA.	TO STA.			
FED. ROAD DIST. NO.	ILLINOIS	FED. AID PROJECT		
• (2425 & 2626) R-2		CONTRACT NO. 62111		



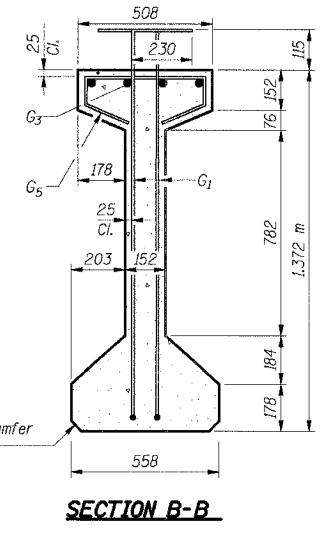
**ELEVATION OF BEAM - SPANS 1 AND 3**  
Showing Reinforcement & Dimensions  
Span 3 Shown, Span 1 Opp. Hand



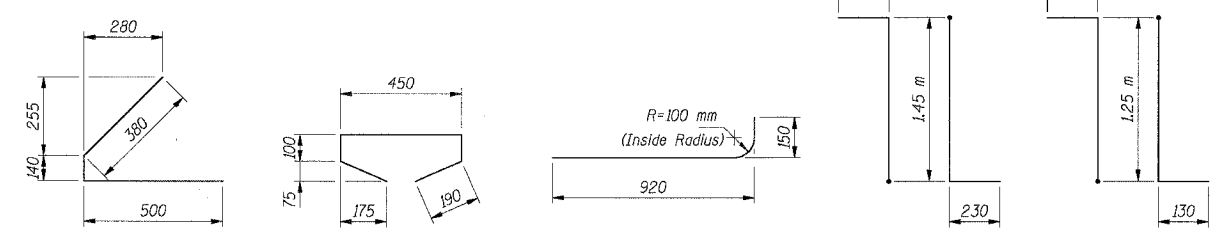
**ELEVATION OF BEAM - SPANS 1 AND 3**  
Showing prestressing strand  
Span 3 Shown, Span 1 Opp. Hand



**SECTION A-A**



**SECTION B-B**



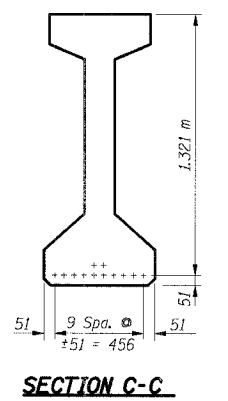
**BAR G4**

**BAR G5**

**BAR G6**

**BAR G1**

**BAR G2**



**SECTION C-C**

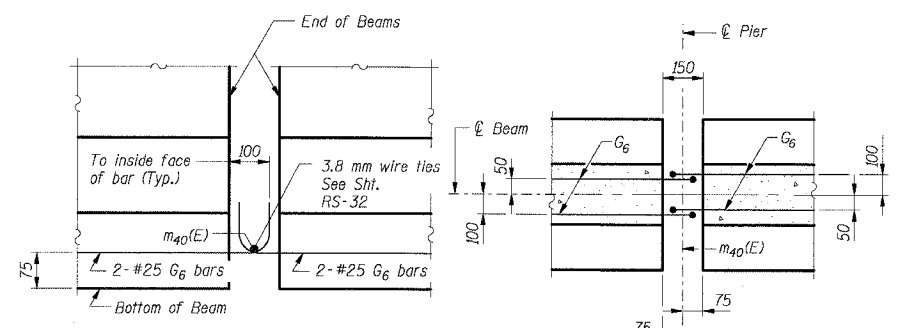
**\* BAR LIST**

Bar	No.	Size	Length (m)	Shape
G1	70	#15	1.91	7L
G2	12	#20	1.61	7L
G3	4	#25	13.43	—
G4	48	#10	1.02	7L
G5	45	#10	1.03	7L
G6	2	#25	1.07	U

\* For one beam only.

**BILL OF MATERIAL**

Item	Unit	Total
Furnishing and Erecting Precast Prestressed Concrete I-Beams, 1372 mm	m	432.8



**ELEVATION**

**PLAN**

**DETAIL "A"**

**Notes:**

- All dimensions are in millimeters (mm) except as noted.
- All reinforcing and Prestressing Steel, and other items which are cast into the Precast Concrete I-Beams shall be included in the contract unit price per meter of "Furnishing and Erecting Precast Prestressed Concrete I-Beams, 1372 mm."
- Prestressing steel shall be uncoated high strength, low relaxation 7-wire strand (Fu=1860 MPa).
- The nominal diameter shall be 12.7 mm and the nominal cross-sectional area shall be 98.71 sq. mm.
- Non-prestressing steel shall conform to AASHTO designation M 31M or M 322M, Grade 400.
- Lifting loops shall be 2-12.7 mm phi strands (Fu=1860 MPa), as shown.
- Required release strength, f'ci, shall be 34.5 MPa.
- Reinforcement bars designated (E) shall be epoxy coated.
- For bearing plates cast with beam, see Sht. RS-44.

**SHT. RS-42 OF 70**

REVISIONS	
NAME	DATE

ILLINOIS DEPARTMENT OF TRANSPORTATION  
F.A.I. ROUTE 80/94 (KINGERY EXPRESSWAY)  
EB & WB INSIDE LANES (MAINLINE) CONSTRUCTION  
I-80/94 OVER RAILROAD AVENUE  
STRUCTURE NO. 016-2792 STA. 6+025.000  
SECTION 1977-121-R  
COOK COUNTY

**1.372 M PPC I-BEAM ELEVATION - I & DETAILS**

DATE: 7/18/2005

DRAWN BY: PA  
CHECKED BY: TCU

**TENG**  
TENG & ASSOCIATES, INC.  
ENGINEERS/ARCHITECTS/PLANNERS  
CHICAGO, ILLINOIS

\F999032A.DGN, ..\AB99002A.DGN  
 7-12-2005, 10:29:51  
 1 2 3 4 5 6 7 8 9 10 11 12 13 14 15 16 17 18 19 20 21 22 23 24 25 26 27 28 29 30 31 32 33 34 35 36 37 38 39 40 41 42 43 44 45 46 47 48 49 50 51 52 53 54 55 56 57 58 59 60 61 62 63