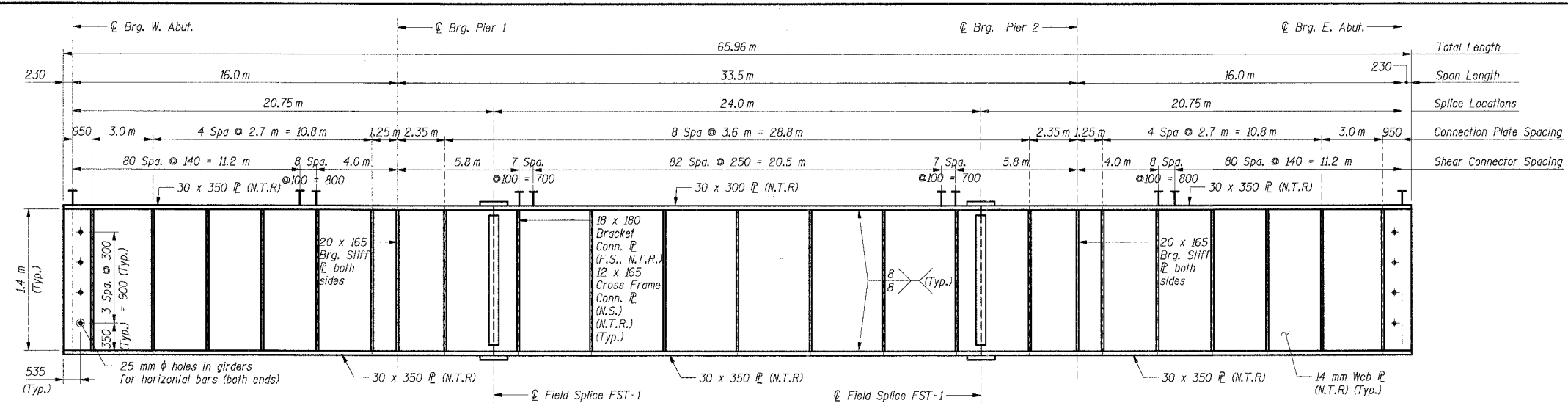
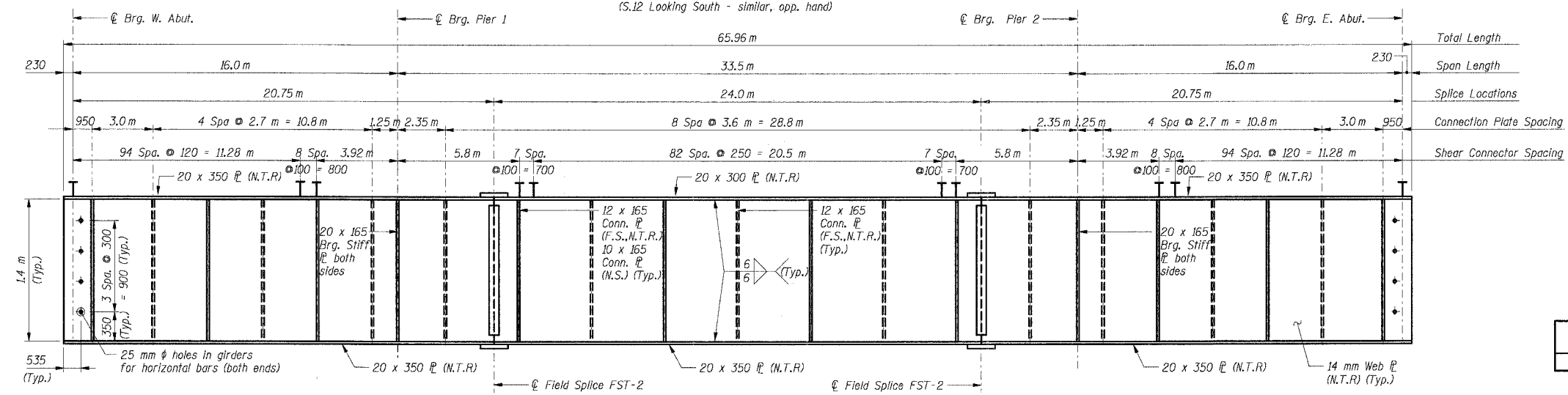


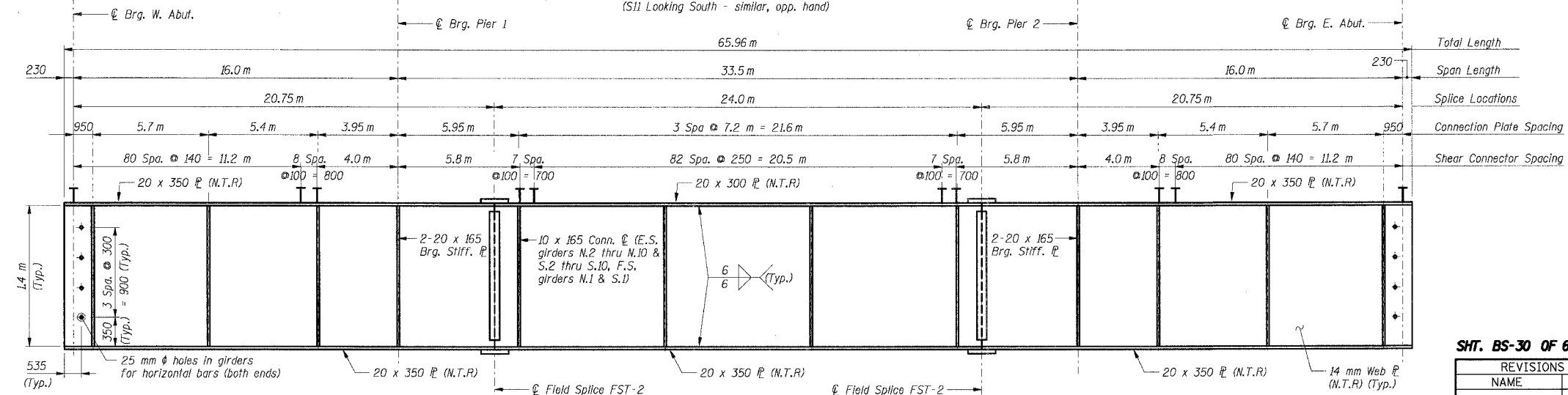
F.A.I. RTE.	SECTION	COUNTY	TOTAL SHEETS	SHEET NO.
80/94		COOK	631	472
STA.	TO STA.			
FED. ROAD DIST. NO.	ILLINOIS	FED. AID PROJECT		
• (2425 & 2626) R-2		CONTRACT NO. 62111		



**ELEVATION - GIRDERS N.12 & S.12\*\***  
(N.12 Looking North - shown)  
(S.12 Looking South - similar, opp. hand)



**ELEVATION - GIRDERS N.11 & S.11\*\***  
(N.11 Looking North - shown)  
(S.11 Looking South - similar, opp. hand)



**ELEVATION - GIRDERS N.1 THRU N.10 & S.1 THRU S.10\*\***  
(N.1 thru N.10 Looking North - shown)  
(S.1 thru S.10 Looking South - similar, opp. hand)

**\*\*GIRDERS N.1 THRU N.7 & S.1 THRU S.12 TO BE ERECTED IN THIS CONTRACT**

**BILL OF MATERIAL\*\***

Item	Unit	Total
Stud Shear Connectors	Each	15,759

- Notes:**
- All dimensions are in millimeters (mm) except as noted.
  - N.T.R. denotes steel subject to Supplemental Requirements for Notch Toughness (Zone 2).
  - For Camber Diagram and Top of Web Elevations, see Sht. BS-31.
  - For Shear Connector, Bearing Stiffener, and Connection Plate Details, see Sht. BS-33.
  - For Field Splice Details, see Sht. BS-33.
  - N.S. = Near Side  
F.S. = Far Side  
E.S. = Each Side

SHT. BS-30 OF 60

REVISIONS	
NAME	DATE

ILLINOIS DEPARTMENT OF TRANSPORTATION  
F.A.I. ROUTE 80/94 (KINGERY EXPRESSWAY)  
EB & WB INSIDE LANES (MAINLINE) CONSTRUCTION  
I-80/94 OVER BURNHAM AVENUE  
STRUCTURE NO. 016-2791 STA. 6+772.591  
SECTION 1977-121-R  
COOK COUNTY

**GIRDER ELEVATIONS**

DATE: 7/18/2005  
DRAWN BY: NK  
CHECKED BY: TCU

**TENG**  
TENG & ASSOCIATES, INC.  
ENGINEERS, ARCHITECTS, PLANNERS  
CHICAGO, ILLINOIS

\P\F98322\AJDN... \AB95902A\JDN...  
 T:\DOCUMENT\337150\STRUCT\WORK\F98322A.DGN  
 7-12-2005, 09:26:44  
 2,3 4,5 6,7 8,9 10,11 12,13 14,15 16,17 18,19 20,21 22,23 24,25 26,27 28,29 30,31 32,33 34,35 36,37 38,39 40,41 42,43 44,45 46,47 48,49 50,51 52,53 54,55 56,57 58,59 60,61 62,63