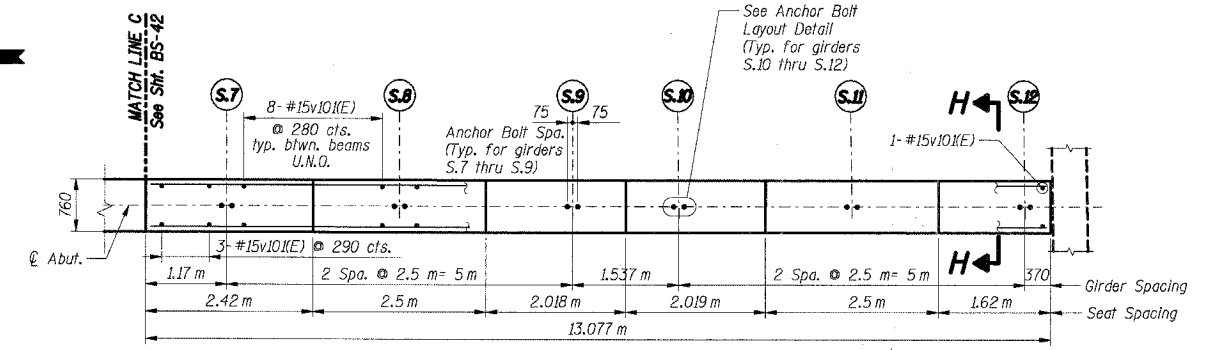
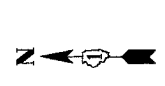
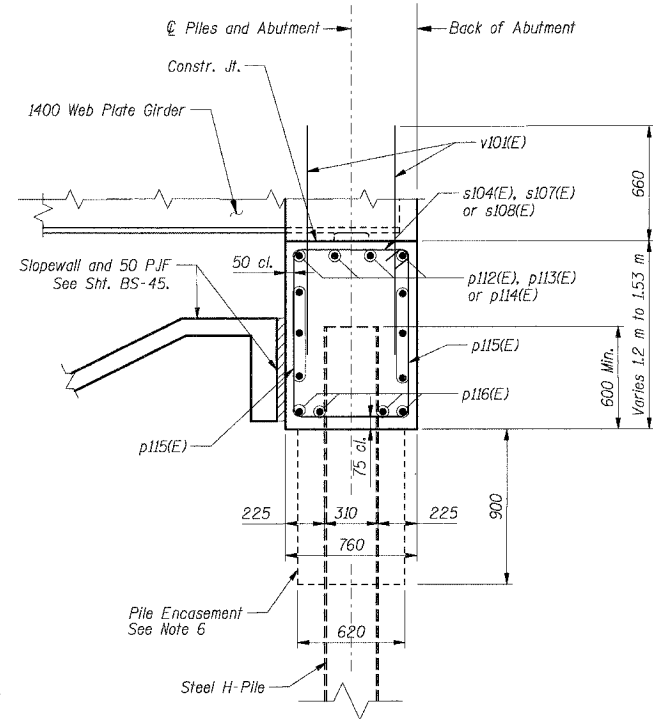


F.A.I. RTE.	SECTION	COUNTY	TOTAL SHEETS	SHEET NO.
80/94		COOK	631	485
STA.	TO STA.			
FED. ROAD DIST. NO.	ILLINOIS	FED. AID PROJECT		
		• (2425 & 2626) R-2 CONTRACT NO. 62111		



TOP VIEW



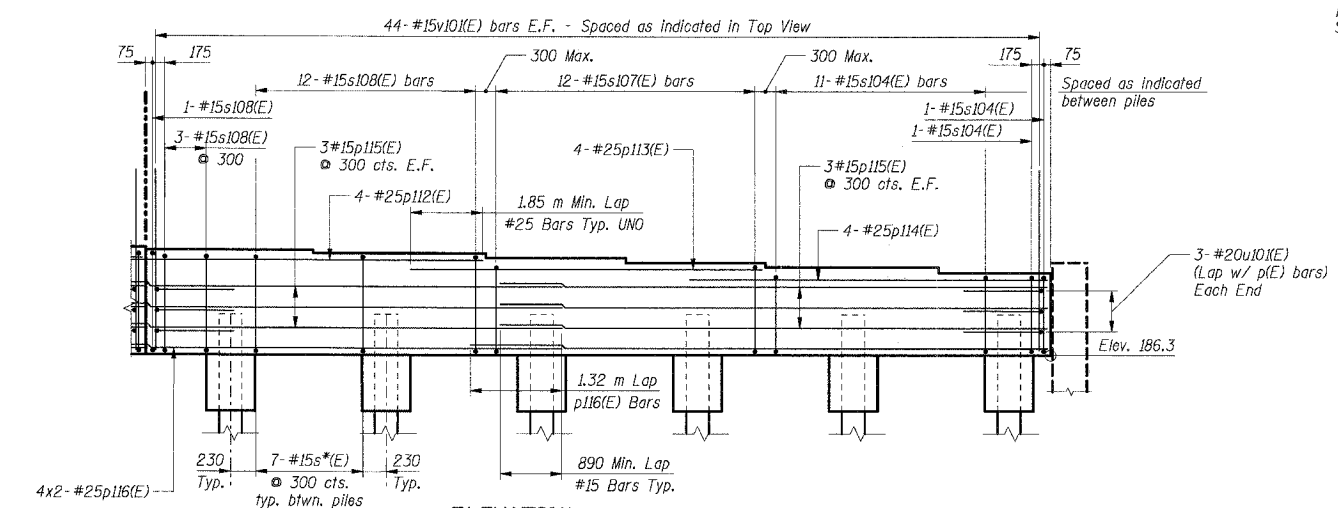
SECTION H-H

BAR LIST

Bar	No.	Size	Length (m)	Shape
p112(E)	4	#25	6.77	—
p113(E)	4	#25	6.83	—
p114(E)	4	#25	5.92	—
p115(E)	12	#15	7.43	—
p116(E)	8	#25	7.86	—
s104(E)	13	#15	3.74	□
s107(E)	12	#15	4.04	□
s108(E)	16	#15	4.32	□
u10(E)	6	#20	2.85	□
v10(E)	88	#15	1.32	—

BILL OF MATERIAL

Item	Unit	Total
Concrete Structures	Cu m	13.8
Reinforcement Bars, Epoxy Coated	kg	1,180
Structure Excavation	Cu m	6



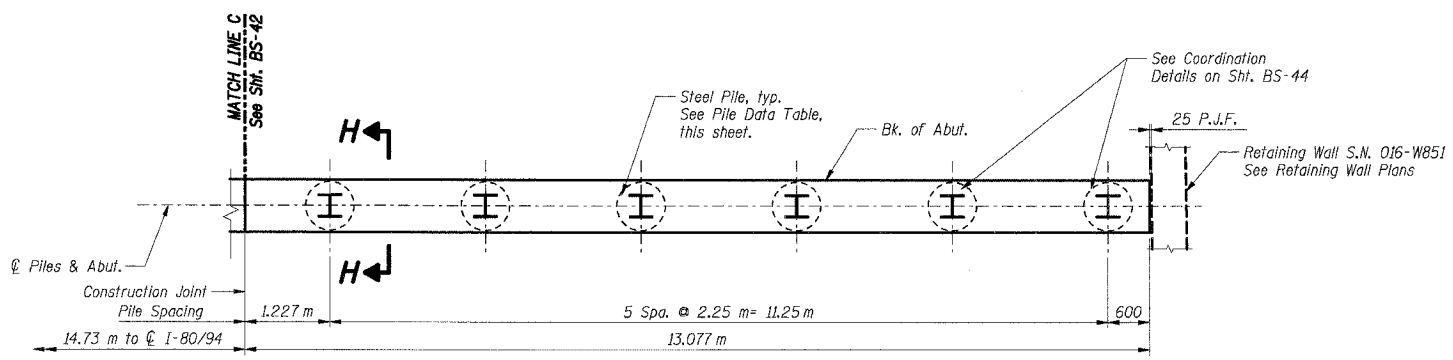
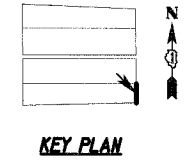
ELEVATION (Looking East)

BEARING SEAT ELEVATIONS

Girder	East Abutment	Steps
S.7	187.830	50
S.8	187.780	65
S.9	187.715	70
S.10	187.645	65
S.11	187.580	80
S.12	187.500	

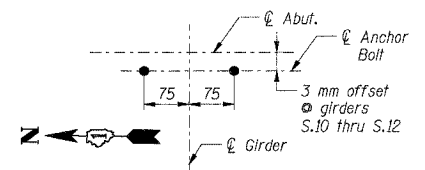
PILE DATA

Type: HP 310x79
 Design Capacity: 600 kN
 Required Bearing: 900 kN
 Est. Length: 29 m
 No. Required: 6

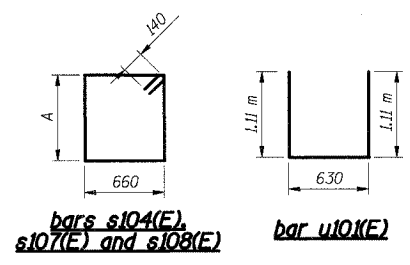


FOOTING PLAN

Bar	A (m)
s104(E)	1.07
s107(E)	1.22
s108(E)	1.36



ANCHOR BOLT LAYOUT DETAIL



- Notes:**
- All dimensions are in millimeters (mm) except as noted.
 - Reinforcement bars designated (E) shall be epoxy coated.
 - E.F. indicates each face.
 - Work this sheet with sheet BS-42.
 - For Pile Encasement details, see sheet BS-3.

SHT. BS-43 OF 60

REVISIONS	
NAME	DATE

ILLINOIS DEPARTMENT OF TRANSPORTATION
 F.A.I. ROUTE 80/94 (KINGERY EXPRESSWAY)
 EB & WB INSIDE LANES (MAINLINE) CONSTRUCTION
 1-80/94 OVER BURHAM AVENUE
 STRUCTURE NO. 016-2791 STA. 6+772.591
 SECTION 1977-121-R
 COOK COUNTY

**EAST ABUTMENT
 PLAN, ELEVATION & SECTION - IV**

DRAWN BY: LS
 CHECKED BY: TCU

DATE: 7/18/2005

TENG
 TENG & ASSOCIATES, INC.
 ENGINEERS/ARCHITECTS/PLANNERS
 CHICAGO, ILLINOIS

0A0ZTEKJ
 04/23/05 10:10:11
 1: DOCUMENT \N33150\STRUCT\CDR\AB0102\24.DGN
 2: 3 4 5 6 7 8 9 10 11 12 13 14 15 16 17 18 19 20 21 22 23 24 25 26 27 28 29 30 31 32 33 34 35 36 37 38 39 40 41 42 43 44 45 46 47 48 49 50 51 52 53 54 55 56 57 58 59 60 61 62 63
 04/23/05 10:10:11
 1: DOCUMENT \N33150\STRUCT\CDR\AB0102\24.DGN
 2: 3 4 5 6 7 8 9 10 11 12 13 14 15 16 17 18 19 20 21 22 23 24 25 26 27 28 29 30 31 32 33 34 35 36 37 38 39 40 41 42 43 44 45 46 47 48 49 50 51 52 53 54 55 56 57 58 59 60 61 62 63