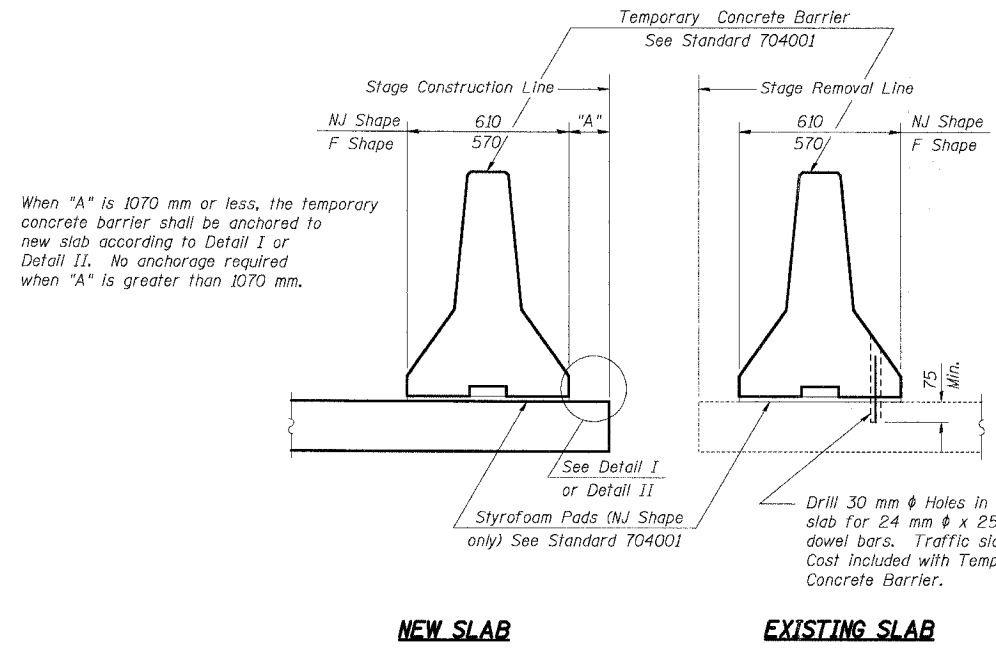


F.A.I. RTE.	SECTION	COUNTY	TOTAL SHEETS	SHEET NO.
80/94		COOK	631	499
STA.	TO STA.			
FED. ROAD DIST. NO.	ILLINOIS FED. AID PROJECT			
• (2425 & 2626) R-2			CONTRACT NO. 62111	



**SECTIONS THRU SLAB**

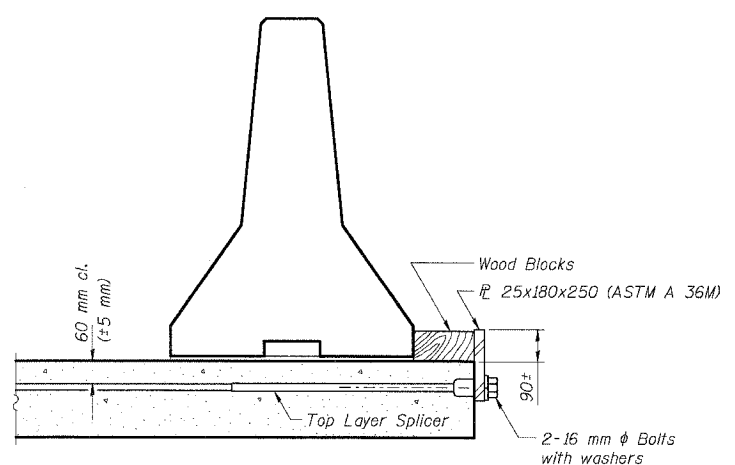
**NOTES**

Detail I - With Bar Splicer or Couplers:  
Connect one (1) 25x180x250 steel  $\bar{L}$  to the top layer of couplers with 2-16 mm  $\phi$  bolts screwed to coupler at approximate  $\bar{C}$  of each barrier panel.

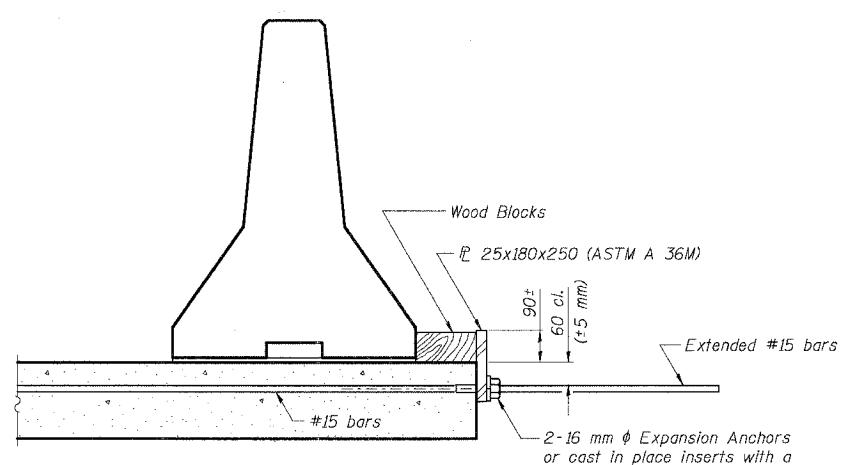
Detail II - With Extended Reinforcement Bars:  
Connect one (1) 25x180x250 steel  $\bar{L}$  to the concrete slab with 2-16 mm  $\phi$  Expansion Anchors or cast in place inserts spaced between the top layer of reinforcement at approximate  $\bar{C}$  of each barrier panel.

Cost of anchorage included with Temporary Concrete Barrier.

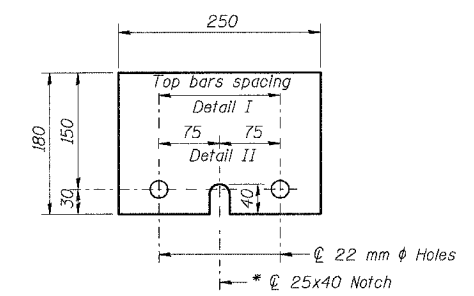
All dimensions are in millimeters (mm) except as noted.



**DETAIL I**  
The 25x180x250 Plate shall not be removed until Stage II Construction forms and reinforcement bars are in place.



**DETAIL II**  
The 25x180x250 Plate shall not be removed until Stage II Construction forms and all reinforcement bars are in place and the concrete is ready to be placed.



**$\bar{L}$  25x180x250**  
\* Required only with Detail II

**TEMPORARY CONCRETE BARRIER FOR STAGE CONSTRUCTION**

SHT. BS-57 OF 60

REVISIONS	
NAME	DATE

ILLINOIS DEPARTMENT OF TRANSPORTATION  
F.A.I. ROUTE 80/94 (KINGERY EXPRESSWAY)  
EB & WB INSIDE LANES (MAINLINE) CONSTRUCTION  
I-80/94 OVER BURNHAM AVENUE  
STRUCTURE NO. 016-2791 STA. 6+772.591  
SECTION 1977-121-R  
COOK COUNTY

**TEMPORARY CONCRETE BARRIER FOR STAGE CONSTRUCTION**

DATE: 7/18/2005

DRAWN BY: \_\_\_\_\_  
CHECKED BY: \_\_\_\_\_

**TENG** ENGINEERS, ARCHITECTS, PLANNERS  
CHICAGO, ILLINOIS

I:\DOCUMENTS\153750\STRUCT\CON\MST622A.DWG  
 7-2-2005, 08:27:04  
 2-3-2005 18:10:11 12 13 14 15 16 17 18 19 20 21 22 23 24 25 26 27 28 29 30 31 32 33 34 35 36 37 38 39 40 41 42 43 44 45 46 47 48 49 50 51 52 53 54 55 56 57 58 59 60 61 62 63  
 BALZEEKJ  
 01/01/02 03