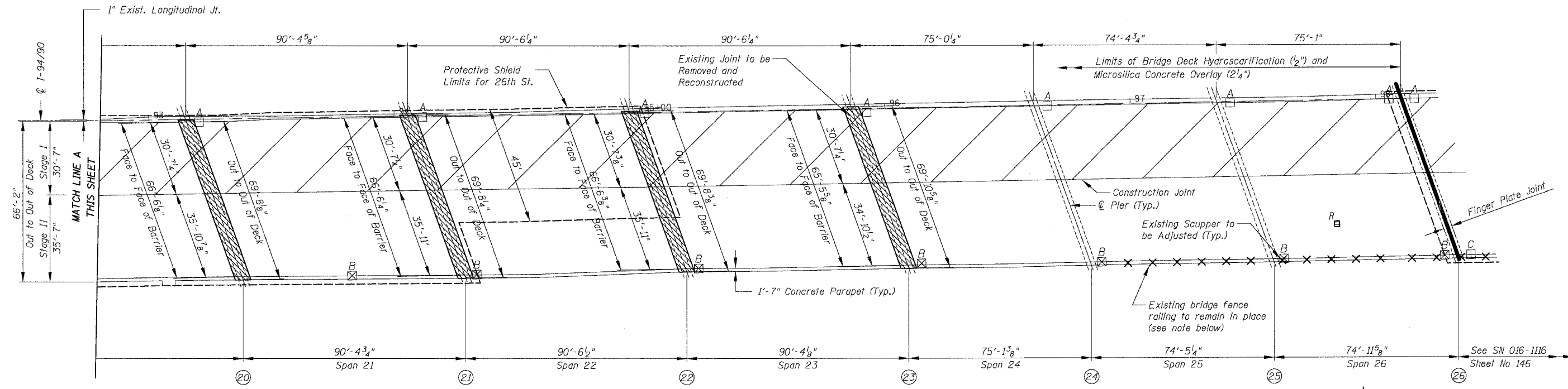
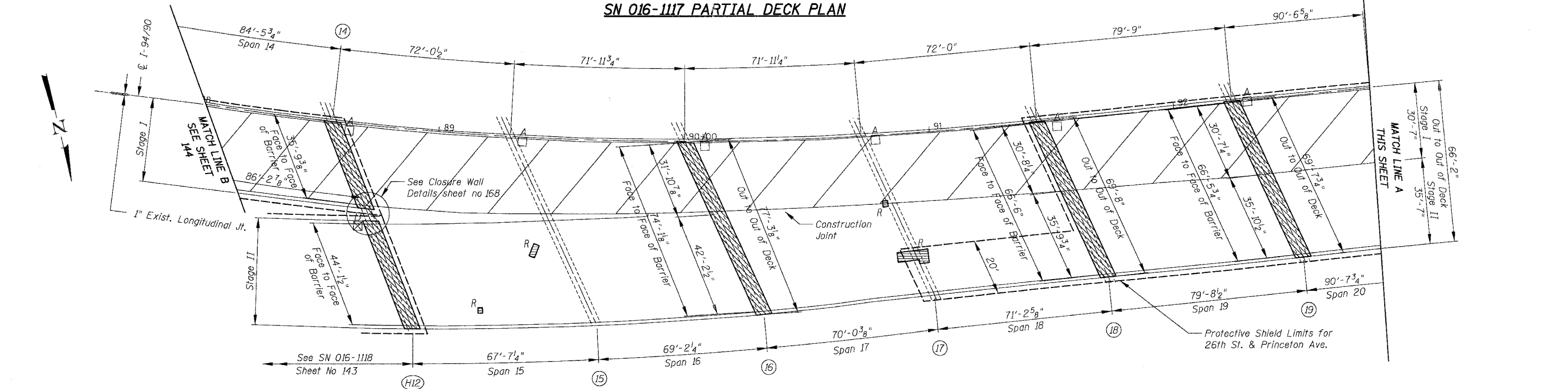


F.A.I.	SECTION	COUNTY	TOTAL SHEETS	SHEET NO.
94/90	2003-028F	COOK	419	145
STA.	TO STA.			
FED. ROAD DIST. NO.	ILLINOIS	FED. AID PROJECT		
62580				



SN 016-1117 PARTIAL DECK PLAN



SN 016-1117 PARTIAL DECK PLAN

Notes:
 The bridge fence railing located on top of the parapet shown at the approximate location above shall be removed and reinstalled (posts and railing) as required for the partial removal of the barrier for the joint reconstruction. The Contractor shall verify the exact location of the bridge fence railing. The work required for the removal and reinstallation of the bridge fence railing will not be paid separately but shall be included in the pay item for "Concrete Removal" and "Concrete Superstructure".
 For additional Notes and Legend See Sheet 143

REVISIONS	
NAME	DATE

ILLINOIS DEPARTMENT OF TRANSPORTATION
 F.A.I. 94/90 (DAN RYAN EXPRESSWAY)
 NB DAN RYAN ELEVATED BRIDGE
 REPAIR FROM 15TH TO 28TH STREETS
 PARTIAL DECK PLAN
 SN 016-1117
 SCALE: 1"=20'
 DATE: 8/12/2005
 DRAWN BY: BDC
 CHECKED BY: BLU

BOWMAN, BARRETT & ASSOCIATES INC
 CONSULTING ENGINEERS
 Chicago, Illinois
 312.228.0100
 www.bbandainc.com

10/29/04 AM 8/17/2005