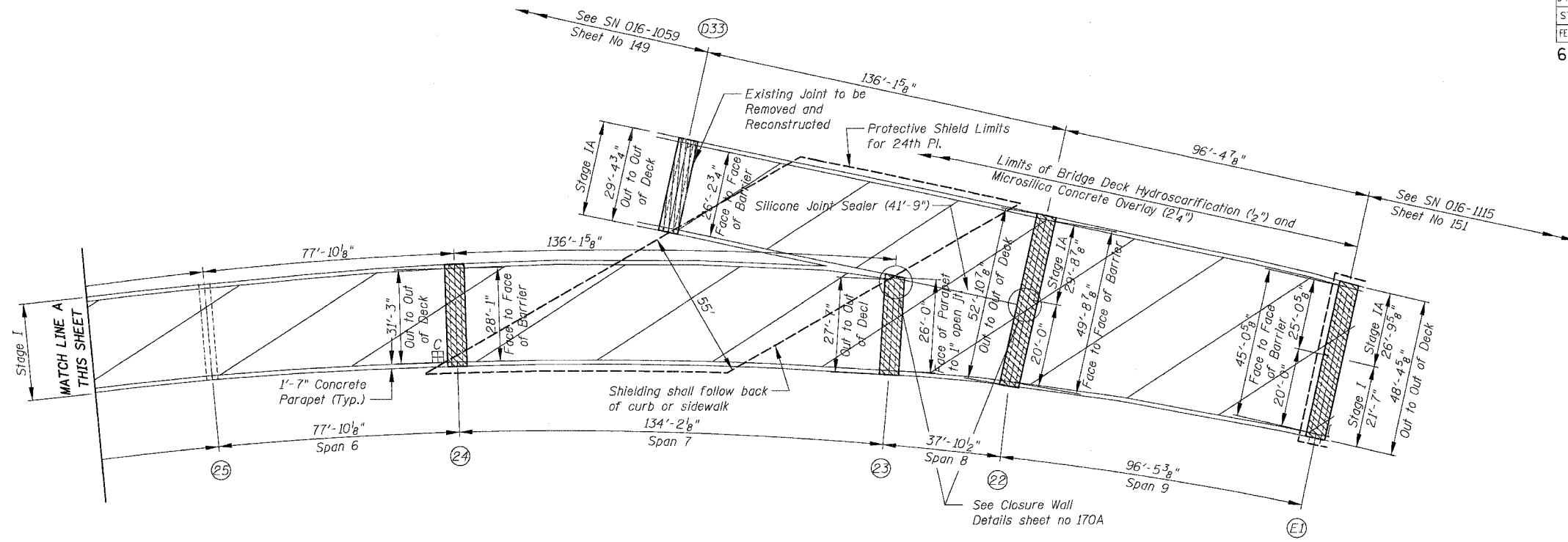
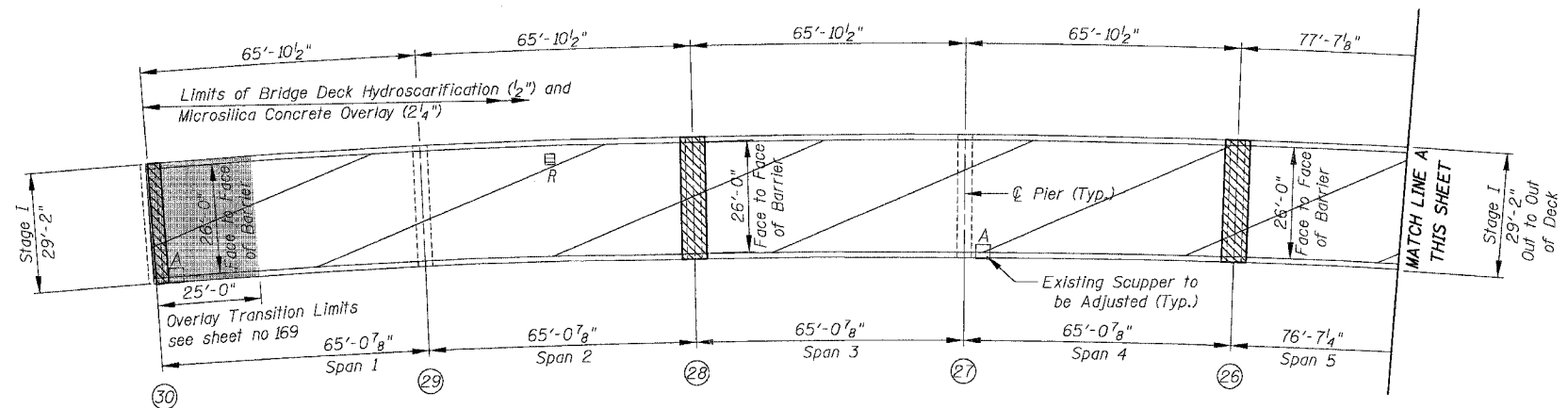


F.A.I.	SECTION	COUNTY	TOTAL SHEETS	SHEET NO.
94/90	2003-028F	COOK	419	150
STA.	TO STA.			
FED. ROAD DIST. NO.	ILLINOIS FED. AID PROJECT			
62580				



SN 016-1047 PARTIAL DECK PLAN



SN 016-1047 PARTIAL DECK PLAN

BOWMAN, BARRETT & ASSOCIATES INC.
CONSULTING ENGINEERS
Chicago, Illinois
312.228.0100
www.bbainc.com

For Notes and Legend See Sheet 143

REVISIONS	
NAME	DATE

ILLINOIS DEPARTMENT OF TRANSPORTATION
F.A.I. 94/90 (DAN RYAN EXPRESSWAY)
NB DAN RYAN ELEVATED BRIDGE
REPAIR FROM 15TH TO 28TH STREETS
PARTIAL DECK PLAN
SN 016-1047 (RAMP E)

SCALE: 1"=20'
DATE: 8/12/2005

DRAWN BY: BDC
CHECKED BY: BLU

8/11/2005 10:29:22 AM n:\660\road\016\016-1047\sheet\016-1047-150.dwg