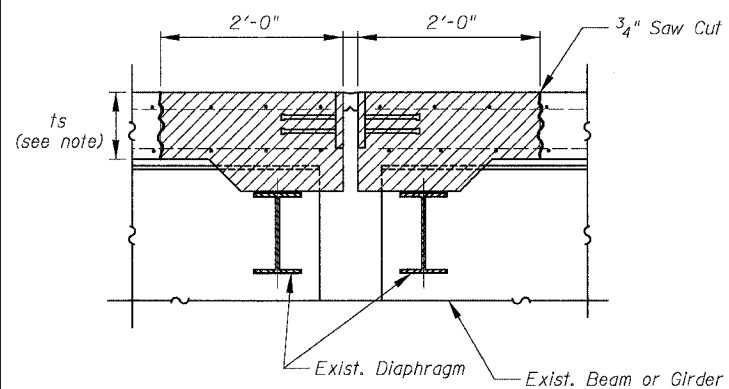


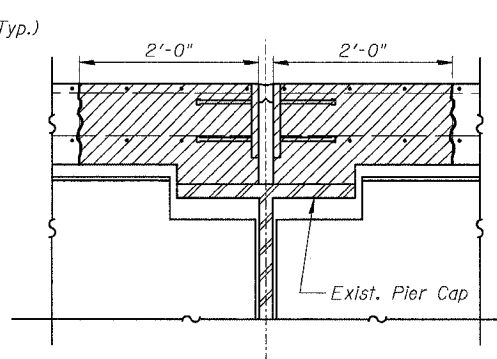
F.A.I.	SECTION	COUNTY	TOTAL SHEETS	SHEET NO.
94/90	2003-028F	COOK	419	162
STA.	TO STA.			
FED. ROAD DIST. NO.	ILLINOIS	FED. AID PROJECT		
62580				

**EXISTING
PREFORMED JOINT SEALS**

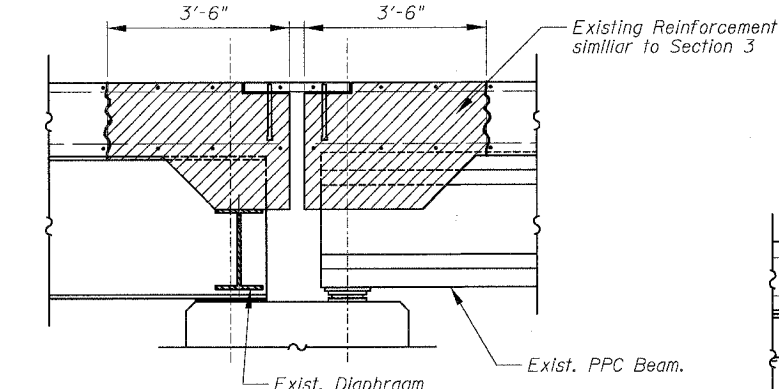
**EXISTING
NEOPRENE EXPANSION JOINTS**



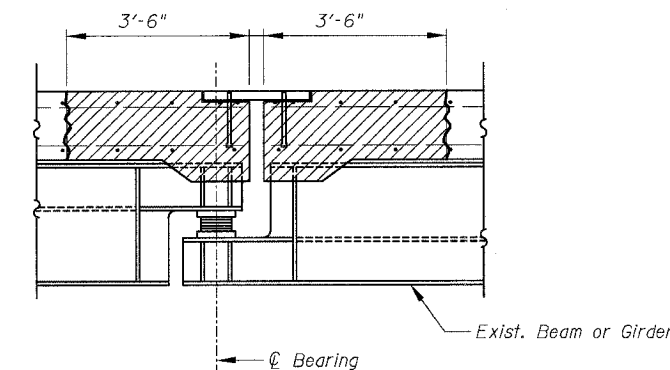
① SECTION AT PIER



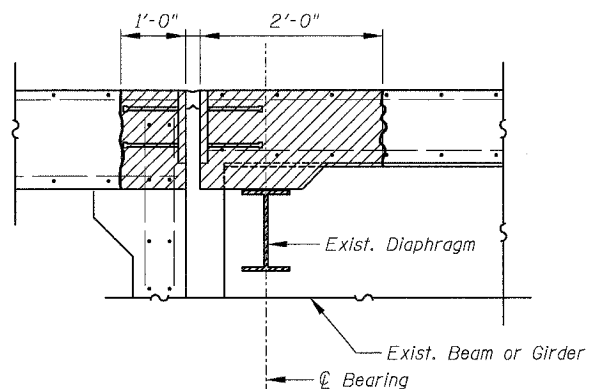
④a SECTION AT STEEL PIER CAP



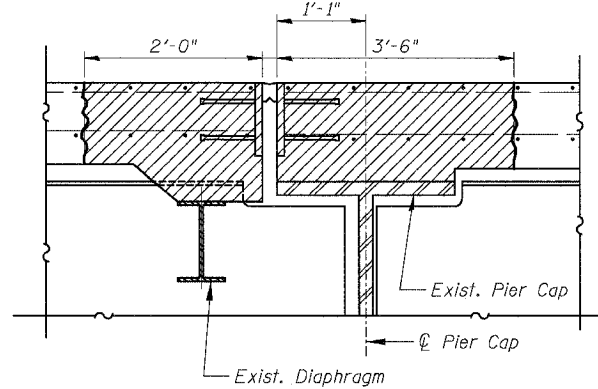
⑤ SECTION AT PIER



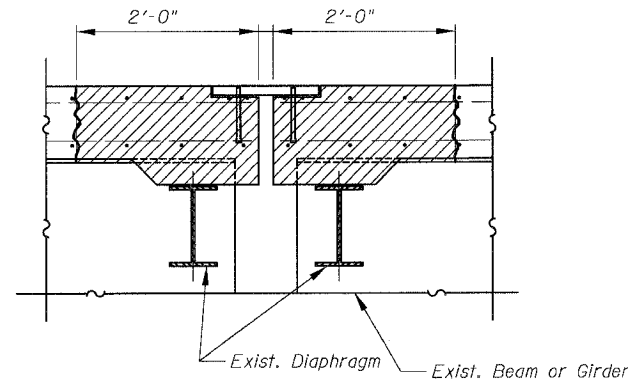
⑨ SECTION AT SUSPENDED SPAN



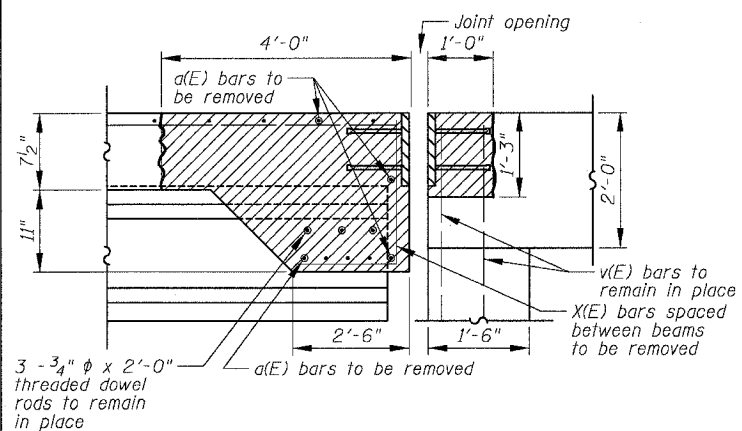
② SECTION AT ABUTMENT



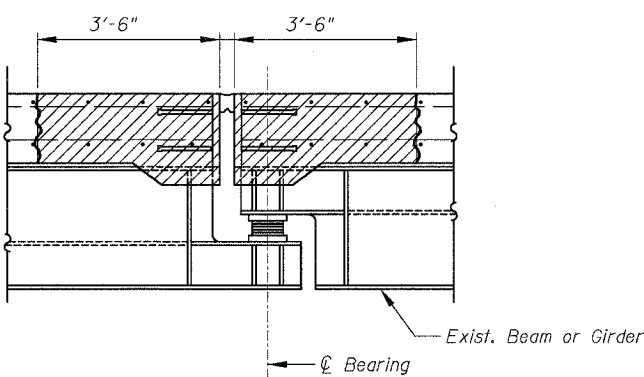
④b SECTION AT STEEL PIER CAP



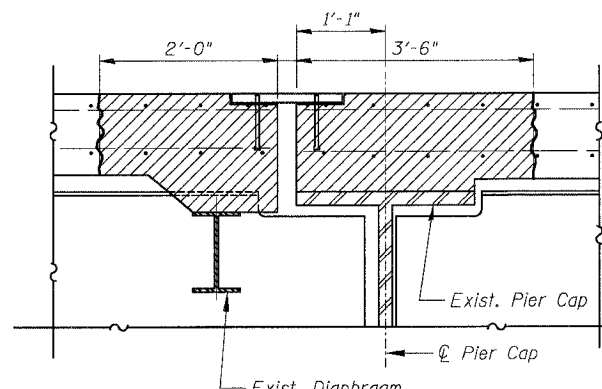
⑥ SECTION AT PIER



③ SECTION AT ABUTMENT



⑧ SECTION AT SUSPENDED SPAN



⑦ SECTION AT STEEL PIER CAP

Notes:

The cost for the 3/4" Saw Cut at the top of slab will be included in the cost of "Concrete Removal"

See table "Location & Designation of Joints" on sheets 160 and 161 for location and designation of joints.

Existing reinforcement extending into removal areas shall be cleaned, straightened and incorporated into the new construction. Cost is included with "Concrete Removal".

Removal of the existing neoprene and preformed joints, including joint seals, steel plates and anchorage hardware shall be included in the cost of "Concrete Removal".

Extreme care shall be taken not to damage the existing beams or diaphragms during concrete removal. Damage will require repair at the Contractor's expense.

Thickness of slab is 7 1/2", except for Span 22 of Structure 016-1112 which has a slab thickness of 8 1/2".

Any reinforcement bars that are damaged during concrete removal operations shall be repaired or replaced using an approved bar splicer or anchorage system at no additional cost to the Department.

All dimensions shown are at right angle to the centerline of the Piers or Abutments.

LEGEND

Concrete Removal

⑧ Joint Designator

ts Thickness of Slab

BOWMAN, BARRETT & ASSOCIATES INC.
CONSULTING ENGINEERS
Chicago, Illinois
312.228.0100
www.bbandainc.com



REVISIONS	
NAME	DATE

ILLINOIS DEPARTMENT OF TRANSPORTATION
F.A.I. 94/90 (DAN RYAN EXPRESSWAY)
NB DAN RYAN ELEVATED BRIDGE
REPAIR FROM 15TH TO 28TH STREETS
TYPICAL SECTIONS
EXISTING JOINTS

SCALE: NTS
DATE: 8/12/2005

DRAWN BY: BDC
CHECKED BY: BLU

8/11/2005 11:54:41 AM