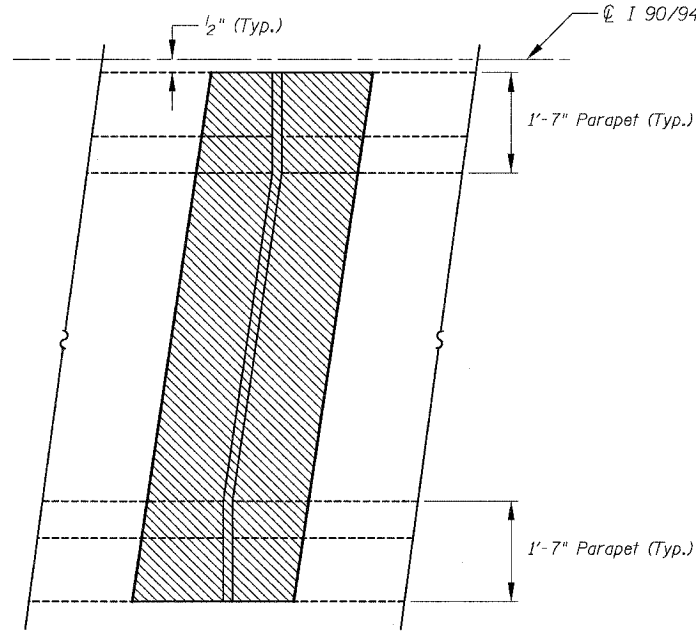
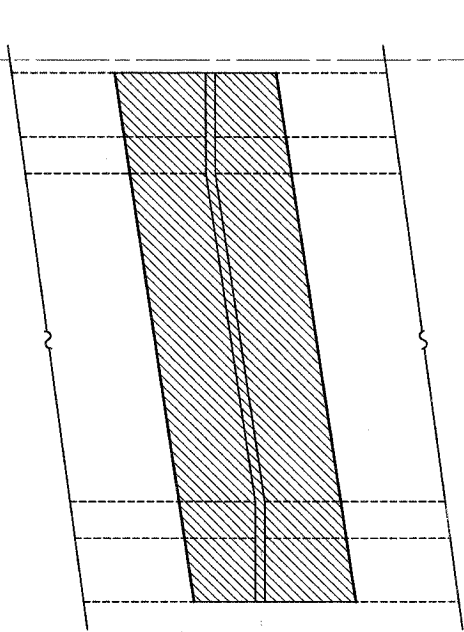


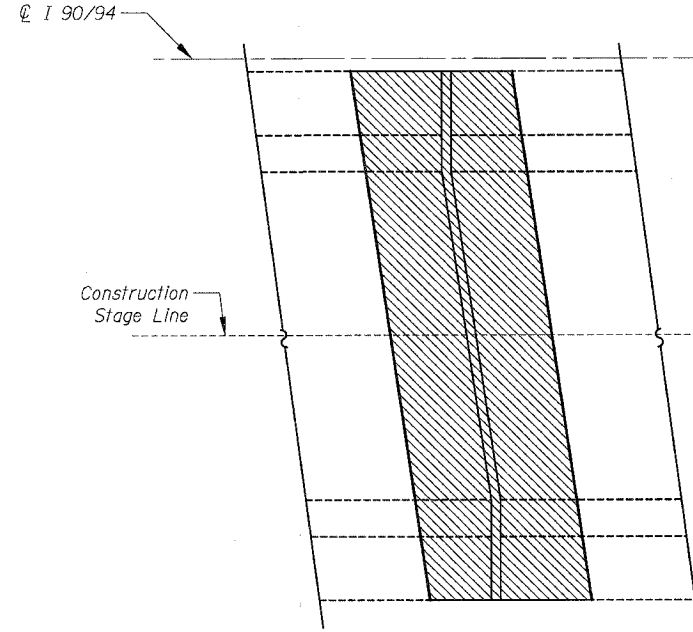
F.A.I.	SECTION	COUNTY	TOTAL SHEETS	SHEET NO.
94/90	2003-028F	COOK	419	166
STA.	TO STA.			
FED. ROAD DIST. NO.	ILLINOIS	FED. AID PROJECT		
62580				



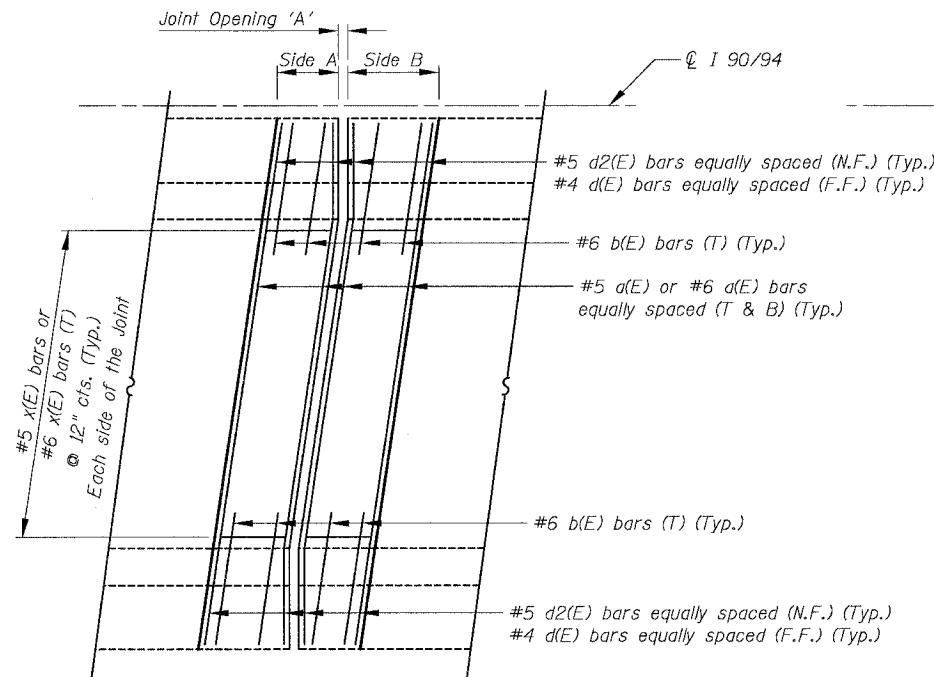
**EXISTING PARTIAL PLAN  
(SKEWED LEFT FORWARD)**



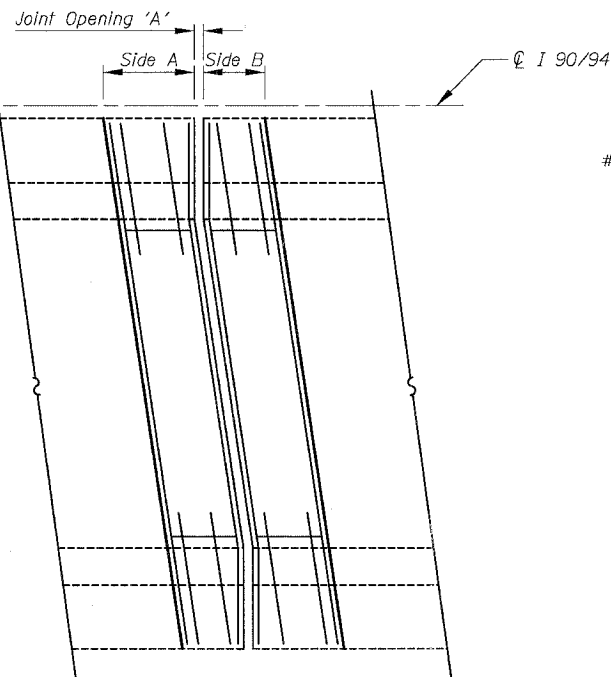
**EXISTING PARTIAL PLAN  
(SKEWED RIGHT FORWARD)**



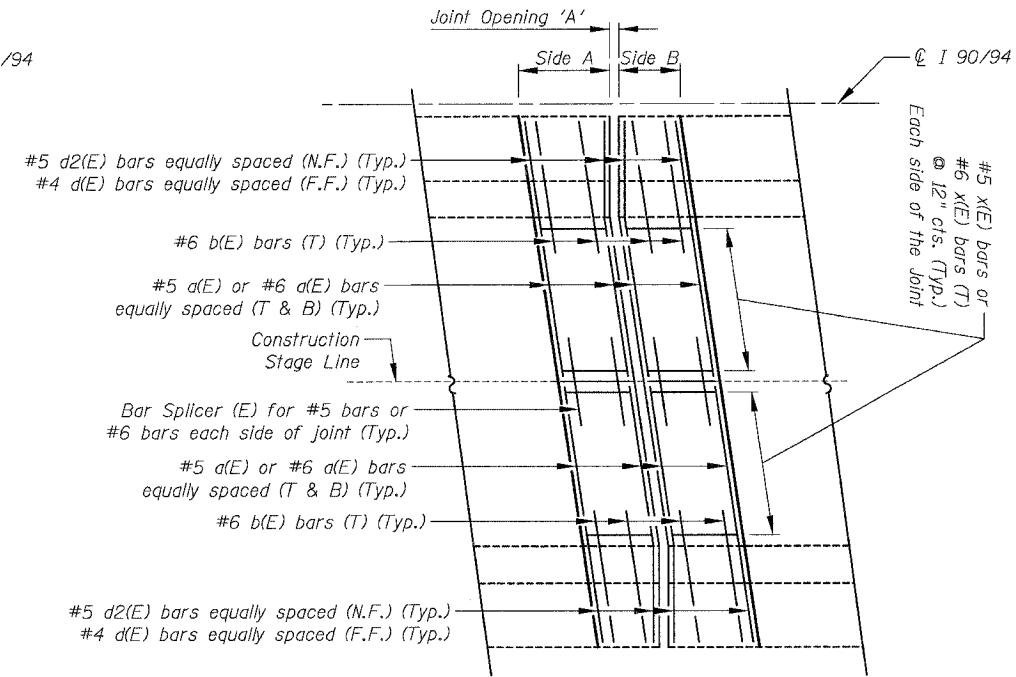
**EXISTING PARTIAL PLAN  
(SKEWED RIGHT FORWARD)**



**(G) PROPOSED PARTIAL PLAN  
(NON-STAGED CONSTRUCTION)  
(SKEWED LEFT FORWARD > 30°-0'-0")  
(Strip Seal Joints)**



**(H) PROPOSED PARTIAL PLAN  
(NON-STAGED CONSTRUCTION)  
(SKEWED RIGHT FORWARD > 30°-0'-0")  
(Strip Seal Joints)**



**(I) PROPOSED PARTIAL PLAN  
(STAGED CONSTRUCTION)  
(SKEWED RIGHT FORWARD > 30°-0'-0")  
(Strip Seal Joints)**

BOWMAN, BARRETT & ASSOCIATES INC.  
CONSULTING ENGINEERS  
Chicago, Illinois  
312.228.0100  
www.bbainc.com



For Notes, Legend, Abbreviations and Reinforcement Bar Locations see sheet 164

REVISIONS	
NAME	DATE

ILLINOIS DEPARTMENT OF TRANSPORTATION  
F.A.I. 94/90 (DAN RYAN EXPRESSWAY)  
NB DAN RYAN ELEVATED BRIDGE  
REPAIR FROM 15TH TO 28TH STREETS  
TYPICAL PARTIAL PLAN AT STAGED  
AND NON STAGED ROADWAYS  
SCALE: NTS  
DATE: 8/12/2005  
DRAWN BY: BDC  
CHECKED BY: BLU

11:54:42 AM 8/11/2005