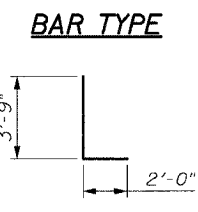
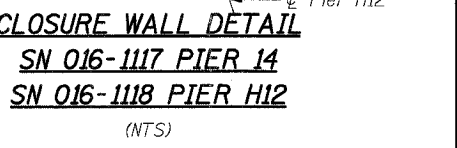
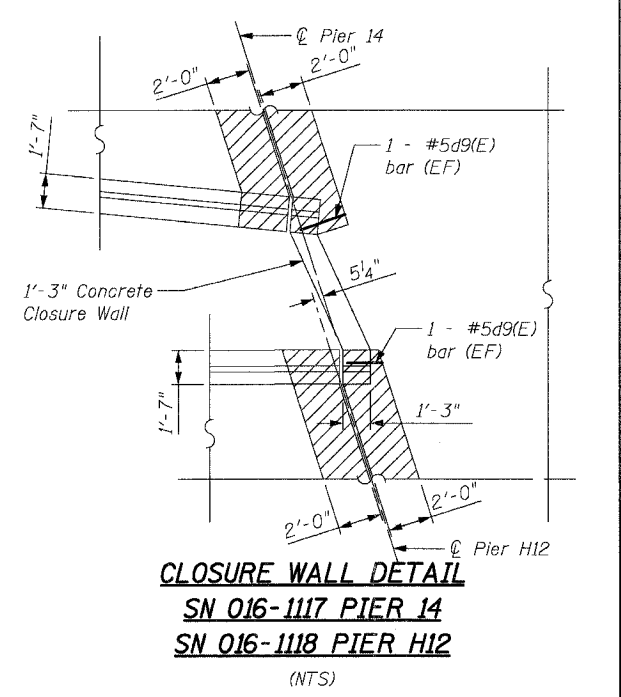
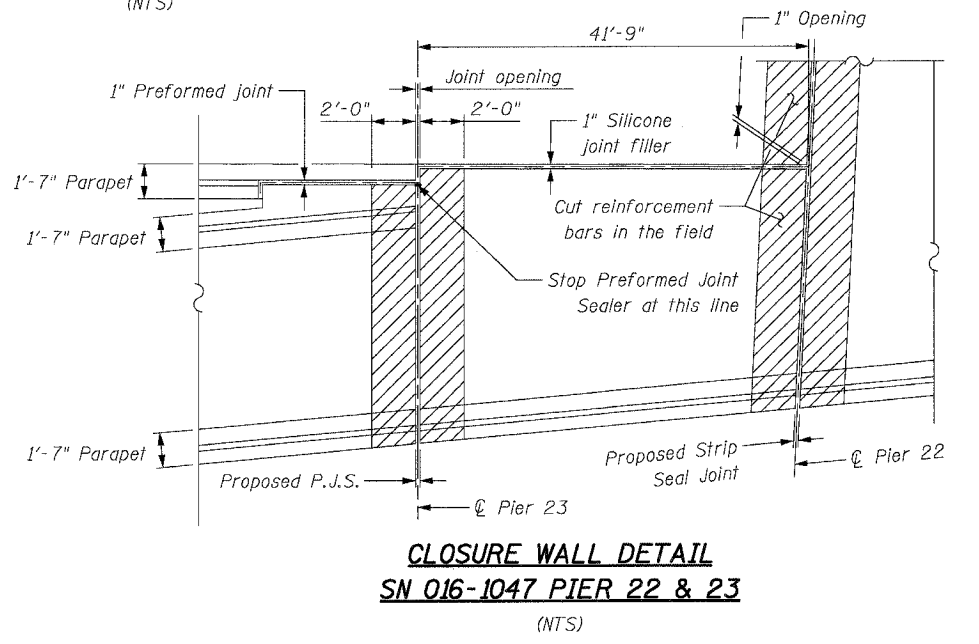
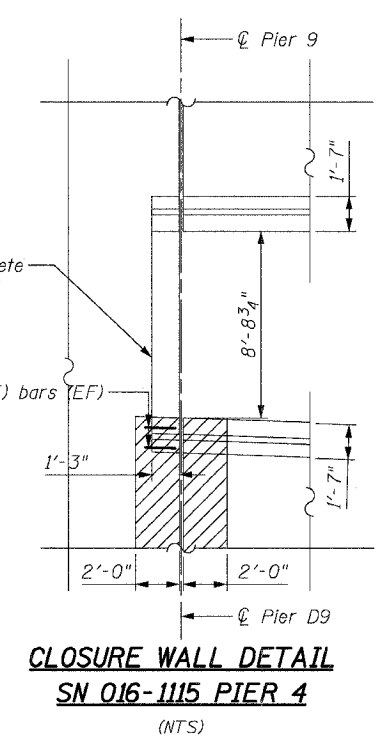
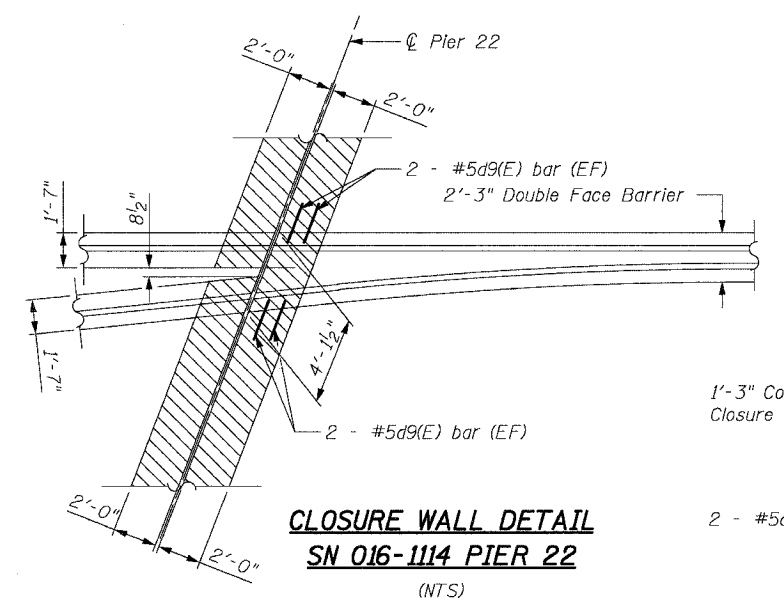
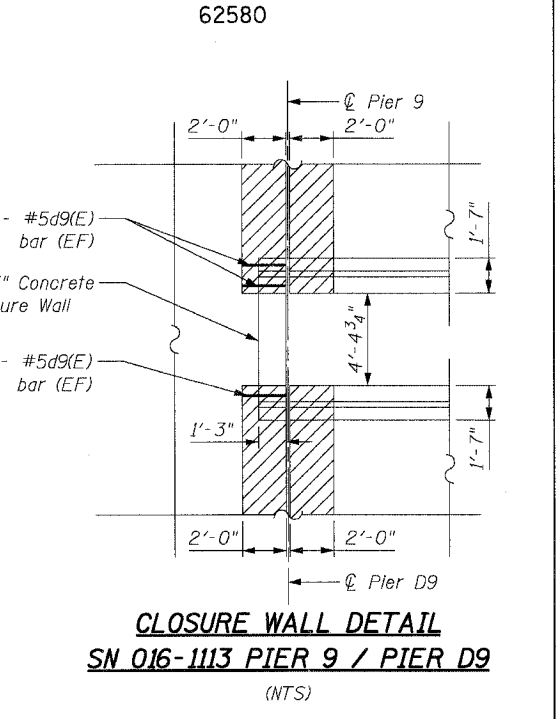
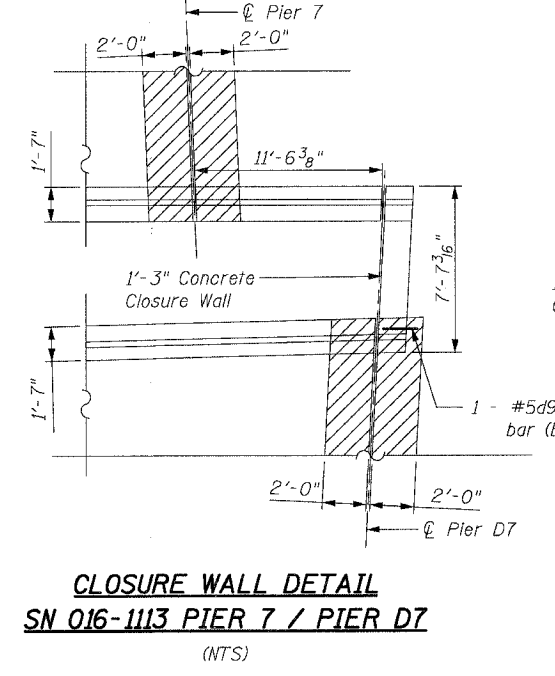
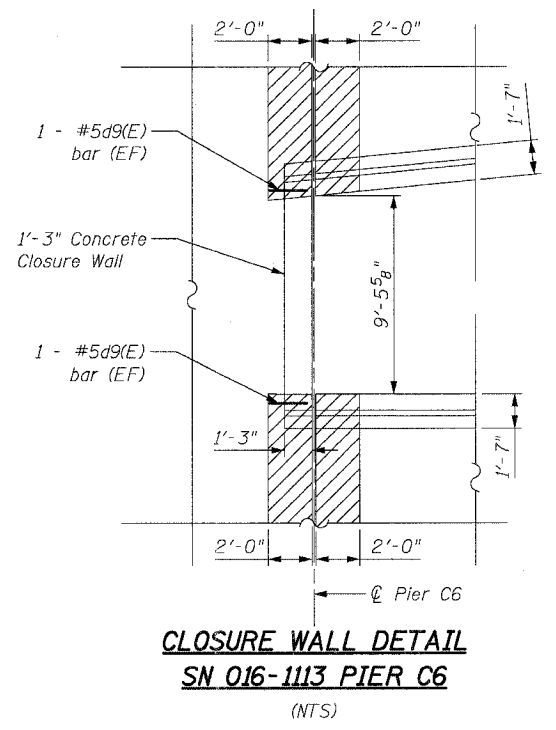
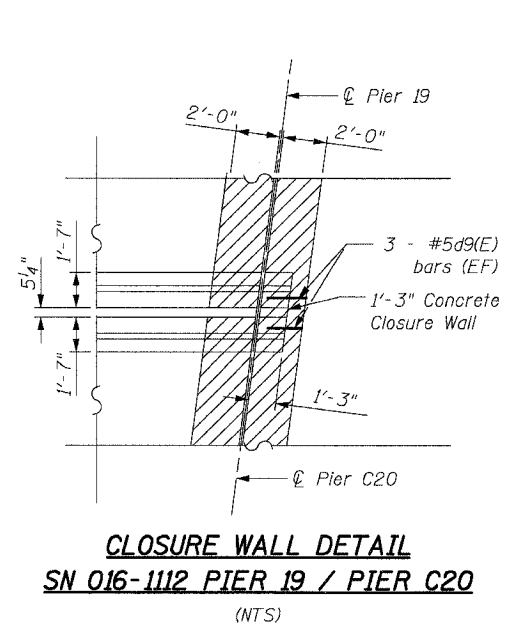
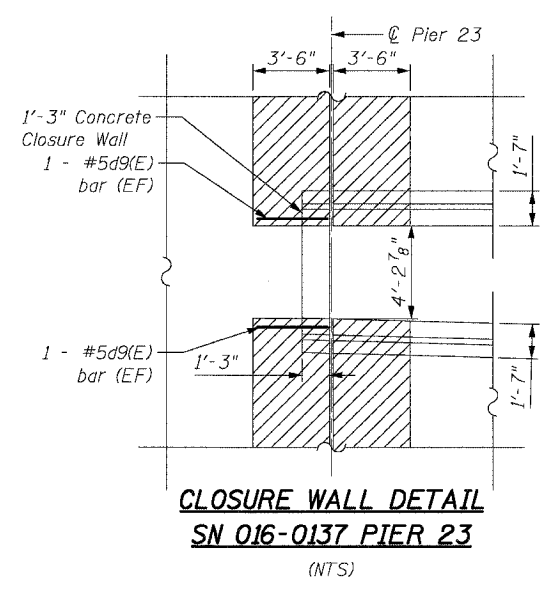


* Pg 167 is DELETED *

F.A.I.	SECTION	COUNTY	TOTAL SHEETS	SHEET NO.
94/90	2003-028F	COOK	419	168
STA.		TO STA.		
FED. ROAD DIST. NO.		ILLINOIS FED. AID PROJECT		

62580



(Cut d9 bar in the field to fit the Closure Wall)

JOINT REMOVAL BILL OF MATERIALS

ITEM DESCRIPTION	UNIT	QUANTITY	016-0137	016-1112	016-1113	016-1115	016-1117	016-1118
Reinforcement Bars Epoxy Coated	POUND	180	20	30	50	40	20	20

CLOSURE WALL REINFORCEMENT BAR SCHEDULE

STRUCTURE	PIER	MARK	NUMBER	SIZE	LENGTH	SHAPE
016-0137	23	d9	4	#5(E)	5'-9"	L
016-1112	19/C20	d9	6	#5(E)	5'-9"	L
016-1113	9/D9	d9	4	#5(E)	5'-9"	L
	7/D7	d9	2	#5(E)	5'-9"	L
	C6	d9	4	#5(E)	5'-9"	L
016-1114	22	d9	4	#5(E)	5'-9"	L
016-1115	4	d9	4	#5(E)	5'-9"	L
016-1117	14	d9	4	#5(E)	5'-9"	L
016-1118	H12	d9	4	#5(E)	5'-9"	L

Note:
For locations of closure walls see Partial Deck Plans

REVISIONS	
NAME	DATE

ILLINOIS DEPARTMENT OF TRANSPORTATION
F.A.I. 94/90 (DAN RYAN EXPRESSWAY)
NB DAN RYAN ELEVATED BRIDGE
REPAIR FROM 15TH TO 28TH STREETS
CLOSURE WALL
GENERAL DETAILS

SCALE: NTS
DATE: 8/12/2005

DRAWN BY: BDC
CHECKED BY: BLU

BOWMAN, BARRETT & ASSOCIATES INC.
CONSULTING ENGINEERS
Chicago, Illinois
312.228.0100
www.bbainc.com

11/5/05 11:54:45 AM