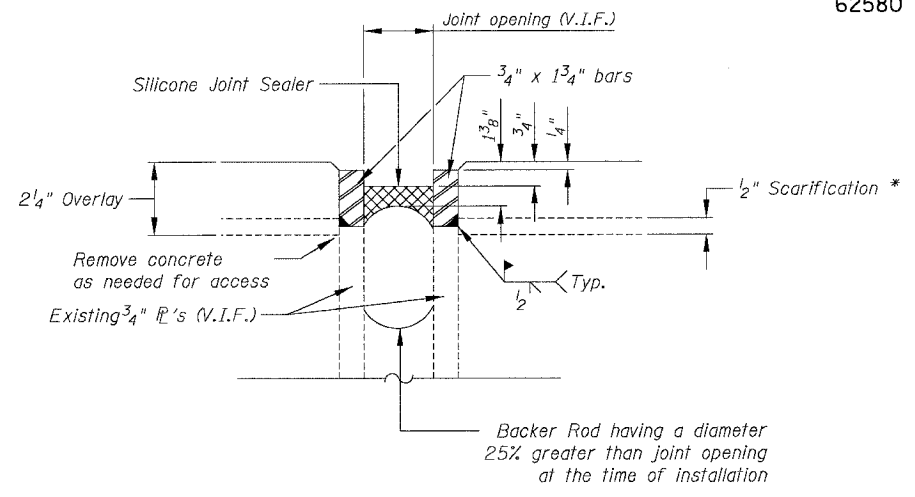
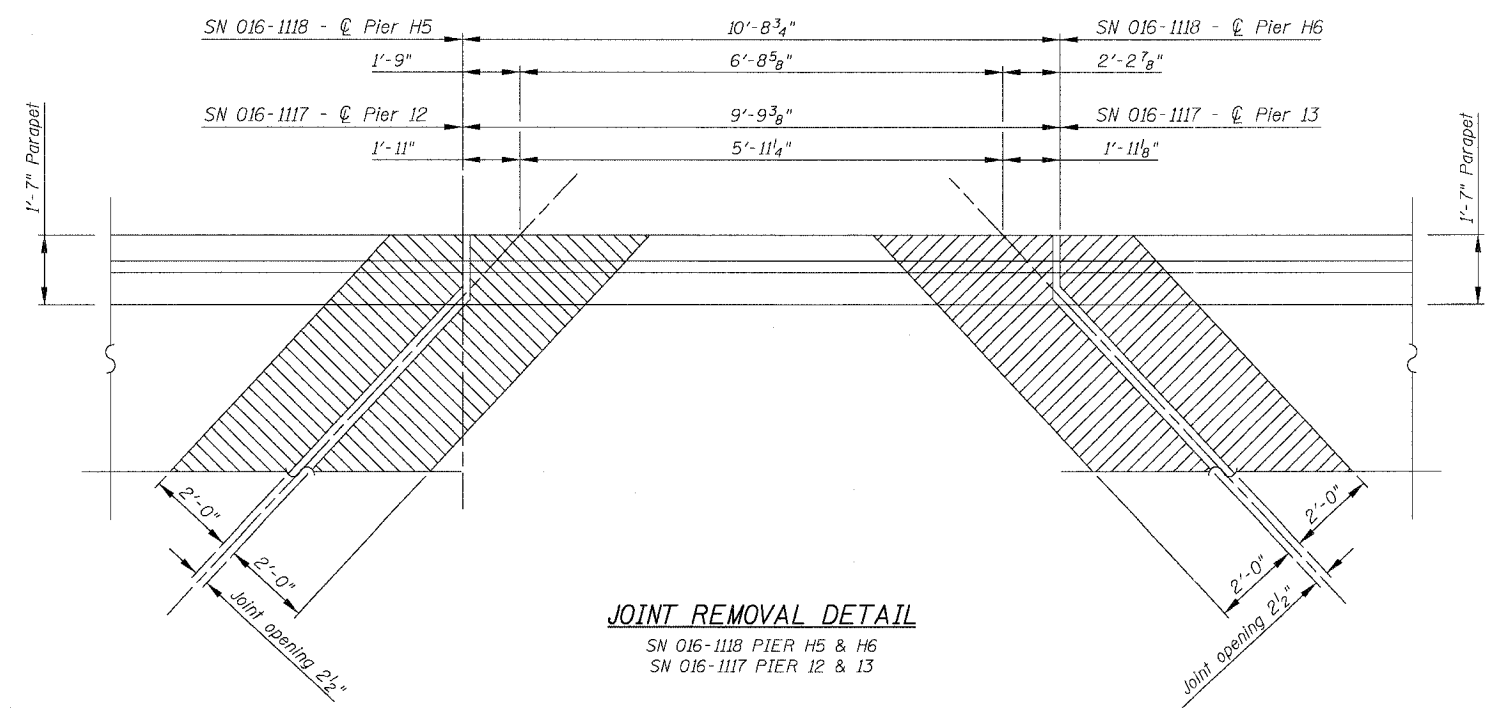


**JOINT REMOVAL DETAIL**  
SN 016-1112 PIER 21 & PIER 22

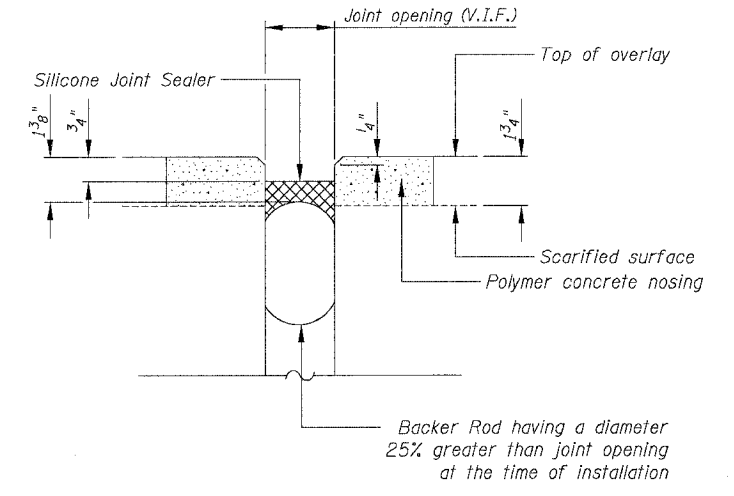


**SILICONE JOINT SEALER DETAIL**

\* Care shall be taken not to damage existing  $\bar{r}$ 's during Hydroscarification.  
V.I.F. = Verify in field  
If existing joint does not have steel plates see alternate Silicone Joint Sealer Detail.  
Cost of existing joint removal included with "Hydroscarification (1/2)".



**JOINT REMOVAL DETAIL**  
SN 016-1118 PIER H5 & H6  
SN 016-1117 PIER 12 & 13

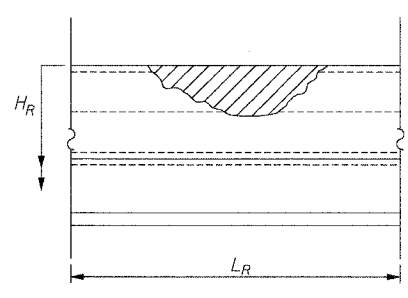


**ALTERNATE SILICONE JOINT SEALER DETAIL**

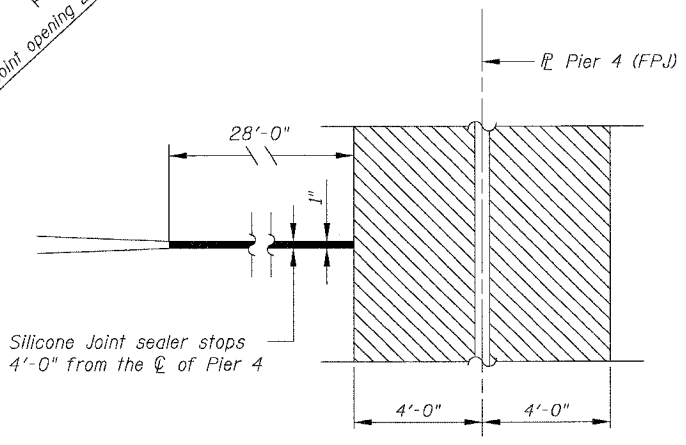
Note:  
For locations of silicone joint sealer see sheets 150 and 158.

**PARAPET REPAIR DIMENSIONS AND BILL OF MATERIALS**

	016-1115 LOCATION 1	016-1114 LOCATION 2	016-1112 LOCATION 3
$L_R$	8'-0"	6'-0"	5'-0"
$H_R$	3'-6"	3'-6"	3'-6"
Concrete Removal Cu. Yd.	1.1	0.82	0.70
Concrete Superstructure Cu. Yd.	1.1	0.82	0.70



**PARAPET REPAIRS - DETAIL "B"**  
(Front face of Parapet)



**SILICONE JOINT SEALER - DETAIL "C"**

REVISIONS	
NAME	DATE

ILLINOIS DEPARTMENT OF TRANSPORTATION  
F.A.I. 94/90 (DAN RYAN EXPRESSWAY)  
NB DAN RYAN ELEVATED BRIDGE  
REPAIR FROM 15TH TO 28TH STREETS  
PARAPET REPAIR, SILICONE JOINT SEALER  
& JOINT REMOVAL DETAILS  
SCALE: NTS  
DATE: 8/12/2005  
DRAWN BY: BDC  
CHECKED BY: BLU