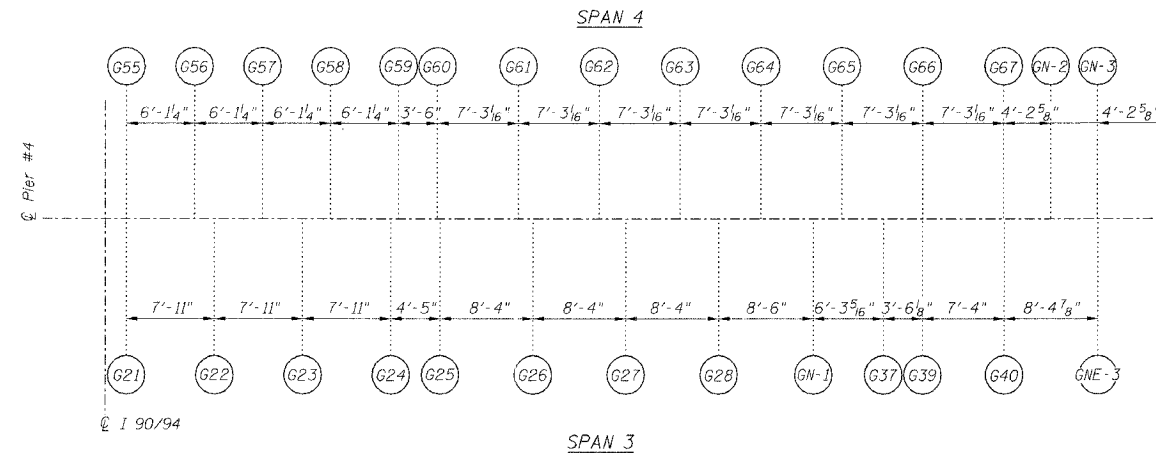
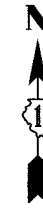


STATE OF ILLINOIS  
DEPARTMENT OF TRANSPORTATION

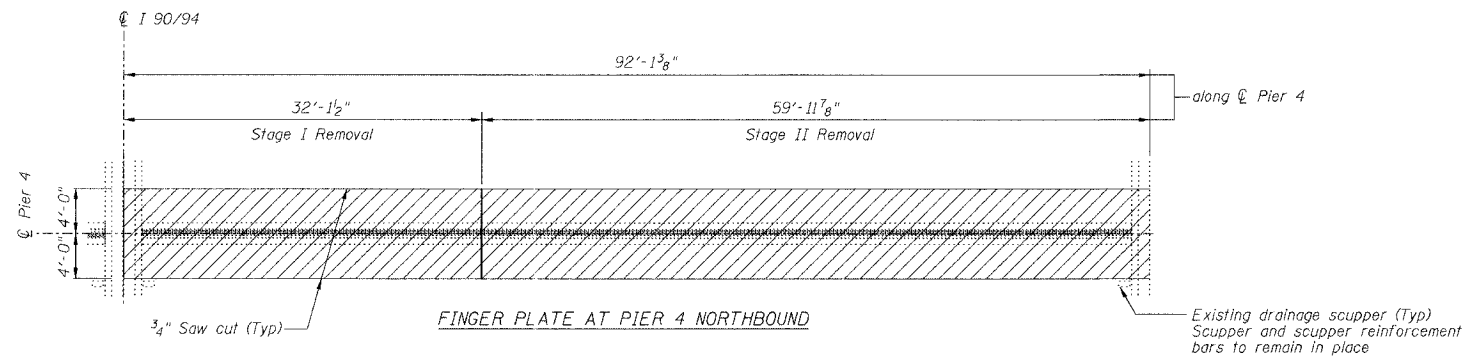
ROUTE NO.	SECTION	COUNTY	TOTAL SHEETS	SHEET NO.
FAI 90/94		COOK	419	188
FED. ROAD DIST. NO.		ILLINOIS	PROJECT	
• 2005-008F CONTRACT #62580				

Sheet No 2  
of 8 Sheets

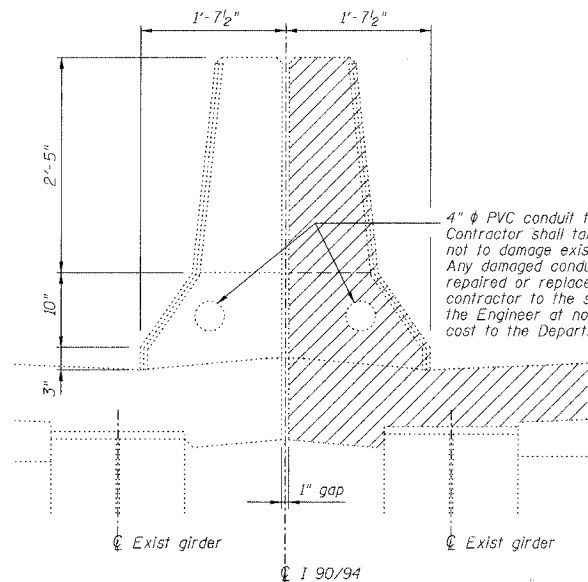


Note:  
All dimensions on girder layout  
are given along centerline of bearing.

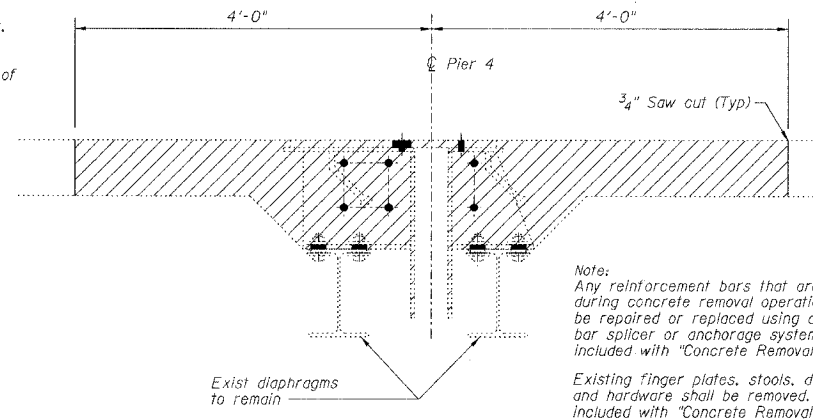
GIRDER LAYOUT AT PIER 4



JOINT REMOVAL PLAN AT PIER 4

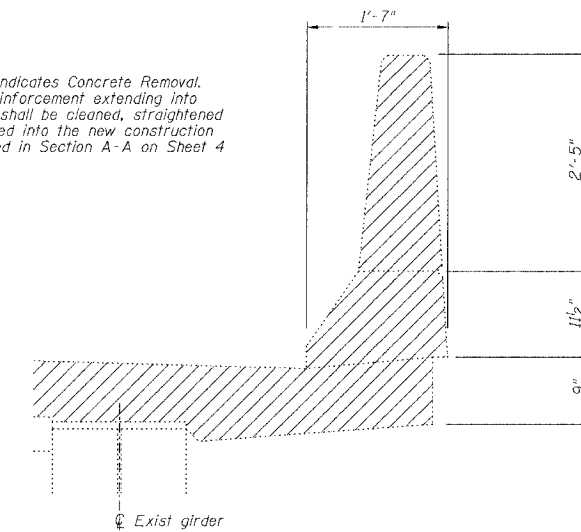


DETAIL AT EXISTING MEDIAN PARAPET



SECTION AT EXISTING FINGER PLATE AT PIER 4

Note:  
Hatched area indicates Concrete Removal.  
Longitudinal reinforcement extending into  
removal areas shall be cleaned, straightened  
and incorporated into the new construction  
except as noted in Section A-A on Sheet 4



DETAIL AT EXISTING OUTSIDE PARAPET

PIER NO. 4

FINGER PLATE EXPANSION JOINT REMOVAL DETAILS

REVISIONS		STATE OF ILLINOIS DEPARTMENT OF TRANSPORTATION DIVISION OF HIGHWAYS		DRAWN BY: RLK DATE: 5/03
1				CHECKED BY: SDS DATE: 5/03
2				BOOK NUMBER
3				
4		FAI RTE 90/94	DAN RYAN EXPRESSWAY	PROJECT NO.
5		SN 016-1110 (NORTHBOUND)	COOK COUNTY	4222-3
6		SEC. 2005-008F		SHEET NO.
7				
8		8600 W. BRYN MAWR AVENUE SUITE 204 CHICAGO, ILLINOIS 60631 312-714-0080 FAX 312-714-0055		
9				
10				