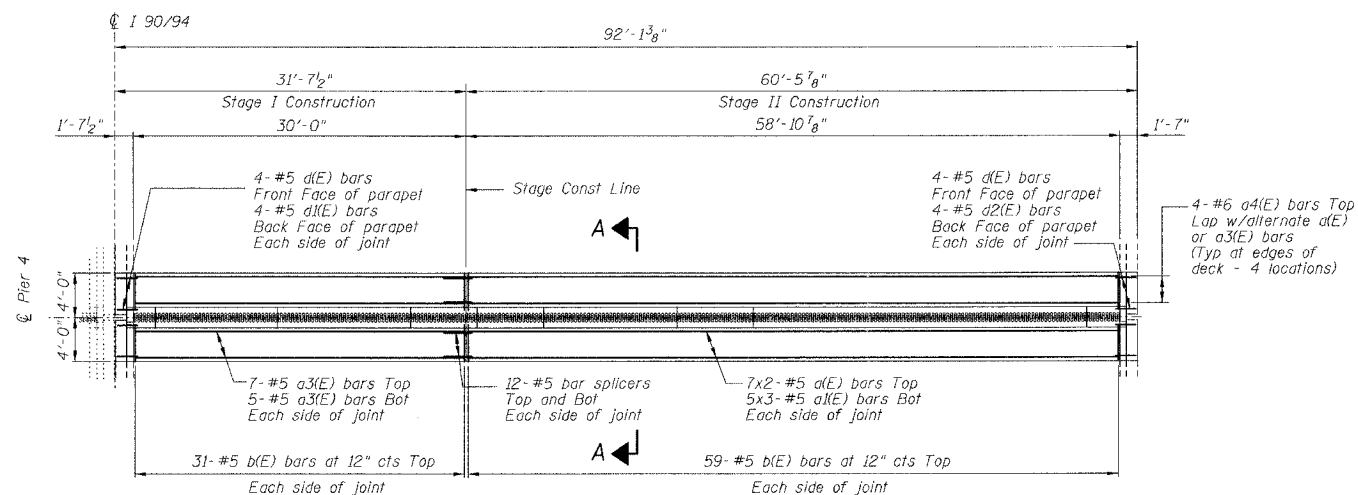


STATE OF ILLINOIS  
DEPARTMENT OF TRANSPORTATION

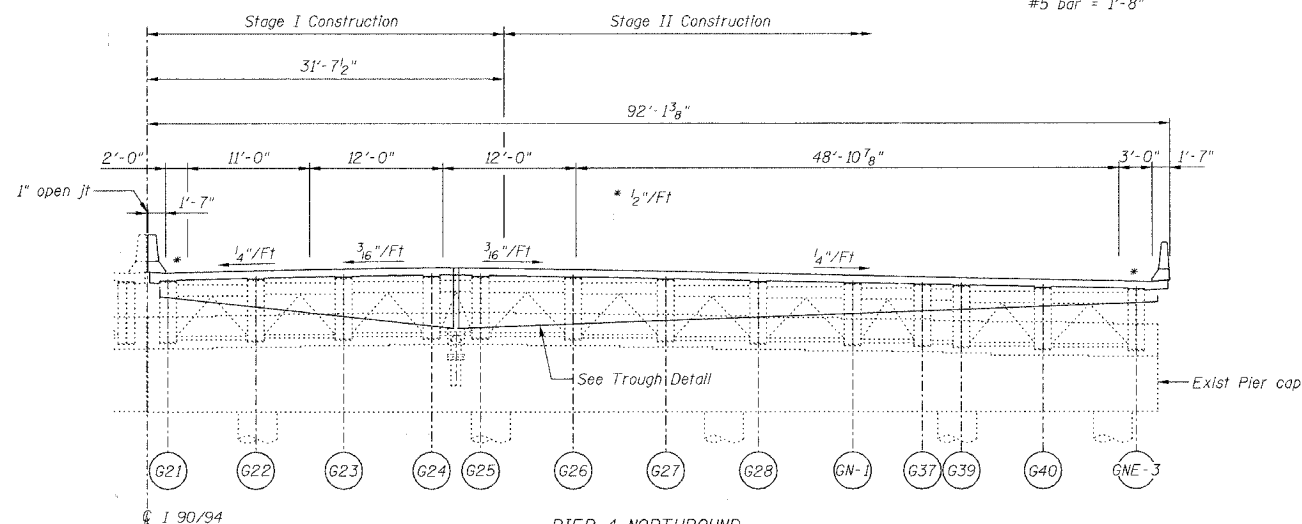
ROUTE NO.	SECTION	COUNTY	TOTAL SHEETS	SHEET NO.
FAI 90/94		COOK	419	187
FED. ROAD DIST. NO.	ILLINOIS	PROJECT		
* 2005-008F CONTRACT #62580				

Sheet No 3  
of 8 Sheets

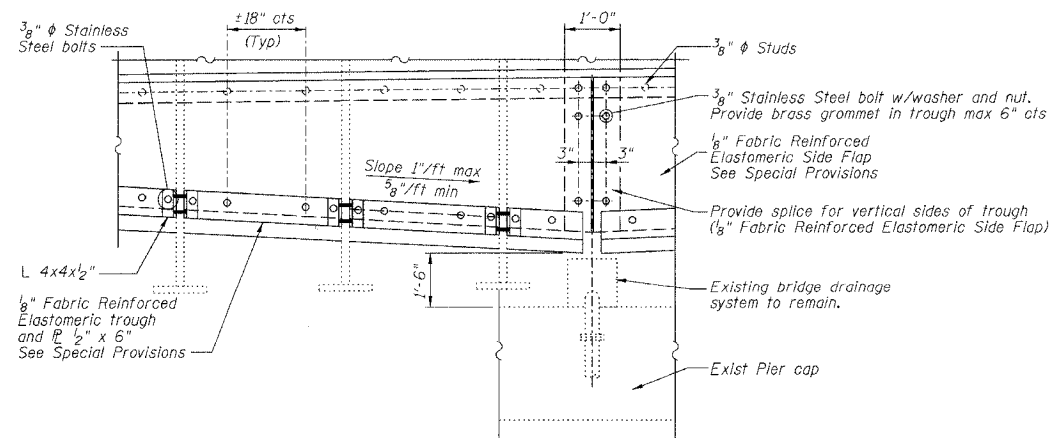


FINGER PLATE AT PIER 4 NORTHBOUND  
JOINT RECONSTRUCTION PLAN AT PIER 4  
(Dimensions along  $\hat{C}$  Pier)

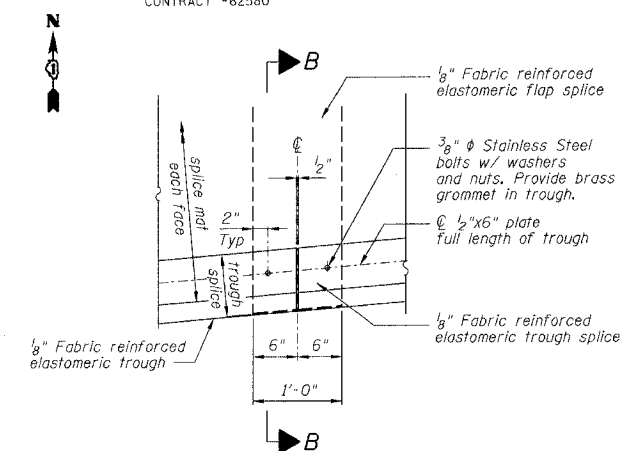
MIN BAR LAP  
#5 bar = 1'-8"



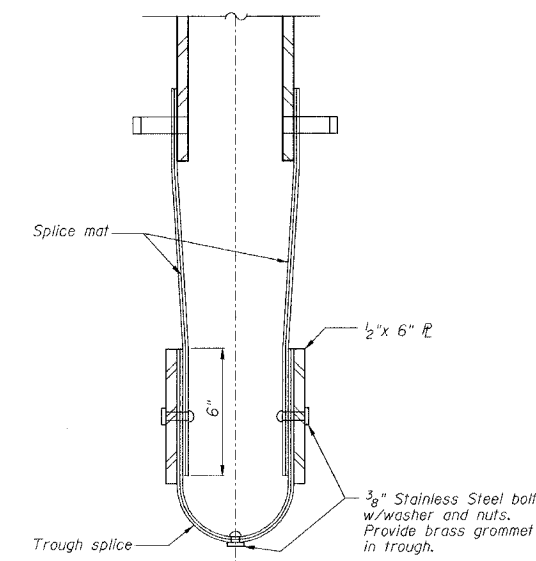
PIER 4 NORTHBOUND  
ELEVATION AT PIER 4 (LOOKING NORTH)  
(Dimensions along  $\hat{C}$  Pier)



TROUGH DETAIL



TROUGH SPLICE DETAIL



SECTION B-B

NOTES

Bars indicated thus 4x2-#5 etc indicates 4 lines of bars with 2 lengths per line.  
For Section A-A see Sheet 4 of 8.

PIER NO. 4

REVISIONS			STATE OF ILLINOIS DEPARTMENT OF TRANSPORTATION DIVISION OF HIGHWAYS		DRAWN BY RLK	DATE 5/03
1						
2						
3						
4						
5						
6						
7						
8						
9						
10						

FAI RTE 90/94	DAN RYAN EXPRESSWAY	PROJECT No.	4222-3
SN 016-1110 (NORTHBOUND)	COOK COUNTY	SHEET No.	
SEC 2005-008F		HOMER L. CHASTAIN & ASSOCIATES CONSULTING ENGINEERS	
6600 W. BIRN, MAWEE AVENUE SUITE 204 CHICAGO, ILLINOIS 60631 312-714-0088 FAX 312-714-0088			