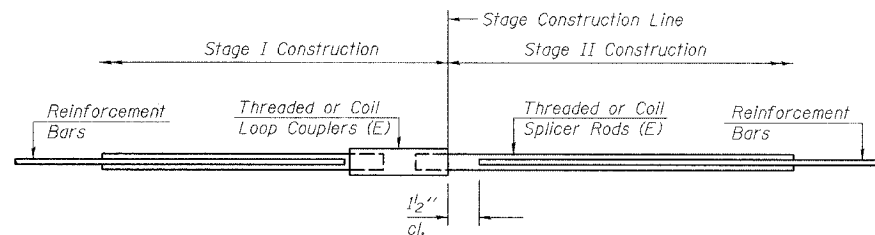


STATE OF ILLINOIS
DEPARTMENT OF TRANSPORTATION

ROUTE NO.	SECTION	COUNTY	TOTAL SHEETS	SHEET NO.
FAI 90/94	*	COOK	419	194
FED. ROAD DIST. NO.	ILLINOIS	PROJECT		
* 2005-008F CONTRACT #62580				

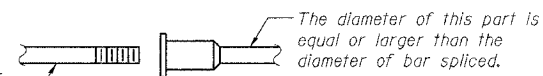
Sheet No 8
of 8 Sheets



SPLICER DETAIL

Bar Size	No. Assemblies Required	Location
#5	24	At Stage Construction Line in N.B. Deck

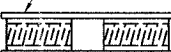
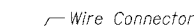
The diameter of this part is the same as the diameter of the bar spliced.



ROLLED THREAD DOWEL BAR



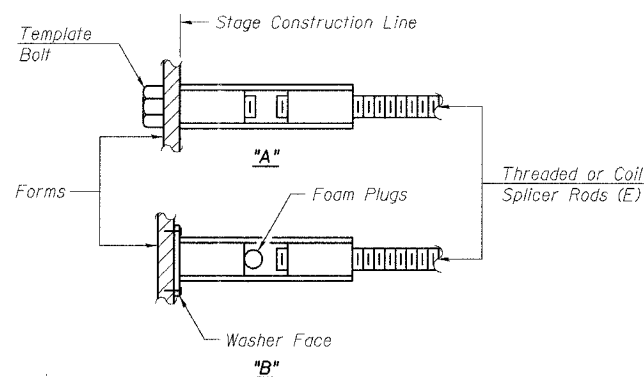
**** ONE PIECE**



WELDED SECTIONS

BAR SPLICER ASSEMBLY ALTERNATIVES

** Heavy Hex Nuts conforming to ASTM A 563, Grade C, D or DH may be used.



INSTALLATION AND SETTING METHODS

"A" : Set bar splicer assembly by means of a template bolt.
"B" : Set bar splicer assembly by nailing to wood forms or cementing to steel forms.
(E) : Indicates epoxy coating.

NOTES

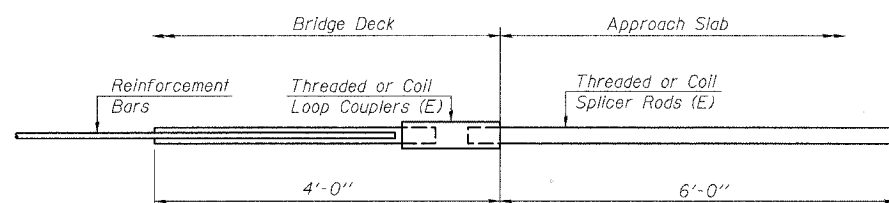
Bar splicer assemblies shall be of an approved type and shall develop in tension at least 125 percent of the yield strength of the lapped reinforcement bars.
Splicer rods shall be of minimum 60 ksi yield strength, threaded or coiled full length.
All reinforcement bars shall be lapped and tied to the splicer rods or dowel bars.
Bar splicer assemblies shall be epoxy coated according to the requirements for reinforcement bars.
Other systems of similar design may be submitted to the Engineer for approval. Approval shall be based on certified test results from an approved testing laboratory that the proposed bar splicer assembly satisfies the following requirements:

- ① Minimum Capacity = $1.25 \times f_y \times A_t$
(Tension in kips)
- ② Minimum *Pull-out Strength = $1.25 \times f_{s_{allow}} \times A_t$
(Tension in kips)

Where f_y = Yield strength of lapped reinforcement bars in ksi.
 $f_{s_{allow}}$ = Allowable tensile stress in lapped reinforcement bars in ksi (Service Load)
 A_t = Tensile stress area of lapped reinforcement bars.
* = 28 day concrete

Bar Size to be Spliced	Splicer Rod or Dowel Bar Length	Strength Requirements	
		Min. Capacity kips - tension	Min. Pull-Out Strength kips - tension
#5	2'-0"	23.0	9.2
#6	2'-7"	33.1	13.3
#7	3'-5"	45.1	18.0
#8	4'-6"	58.9	23.6

Bar splicer assemblies shall be according to Section 508 of the Standard Specifications, except as noted. The furnishing and installation of bar splicer assemblies will be measured and paid for at the contract unit price each for "BAR SPLICERS."



**INTEGRAL ABUTMENT
BAR SPLICER ASSEMBLY DETAIL
FOR #5 BAR**

Min. Capacity = 23.0 kips - tension
Min. Pull-out Strength = 9.2 kips - tension
No. Required =

PIER NO. 4

REVISIONS			STATE OF ILLINOIS DEPARTMENT OF TRANSPORTATION DIVISION OF HIGHWAYS		DRAWN BY RLK	DATE 5/03
1			FAI RTE 90/94	DAN RYAN EXPRESSWAY	CHECKED BY SDS	DATE 5/03
2			SN 016-1110 (NORTHBOUND)	COOK COUNTY	BID# NUMBER	
3			SEC 2005-008F		PROJECT NO.	4222-3
4					SHEET NO.	
5						
6						
7						
8						
9						
10						

BSD-1 4-30-99

CHASTAIN & ASSOCIATES
CONSULTING ENGINEERS
4640 W. BRYN MAWR AVENUE
SUITE 204
CHICAGO, ILLINOIS 60611
312-714-0300
FAX 312-714-0666