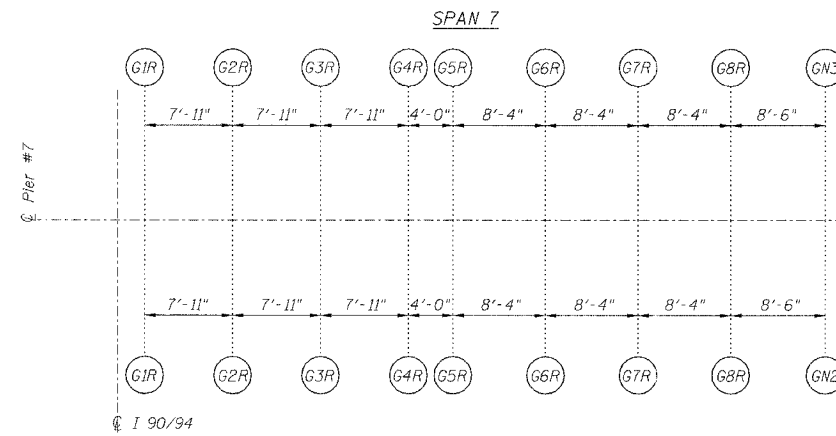


STATE OF ILLINOIS
DEPARTMENT OF TRANSPORTATION

ROUTE NO.	SECTION	COUNTY	TOTAL SHEETS	SHEET NO.
FAI 90/94		COOK	419	196
FED. ROAD DIST. NO.	ILLINOIS	PROJECT		

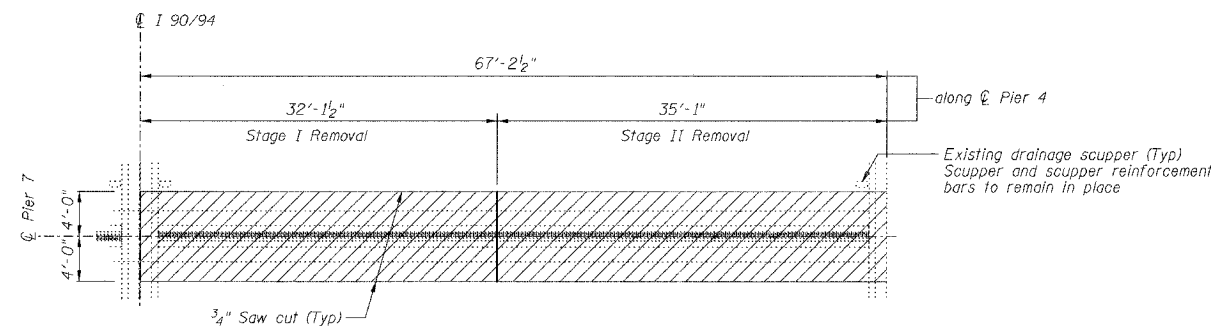
Sheet No 2
of 8 Sheets

* 2005-008F
CONTRACT #62580



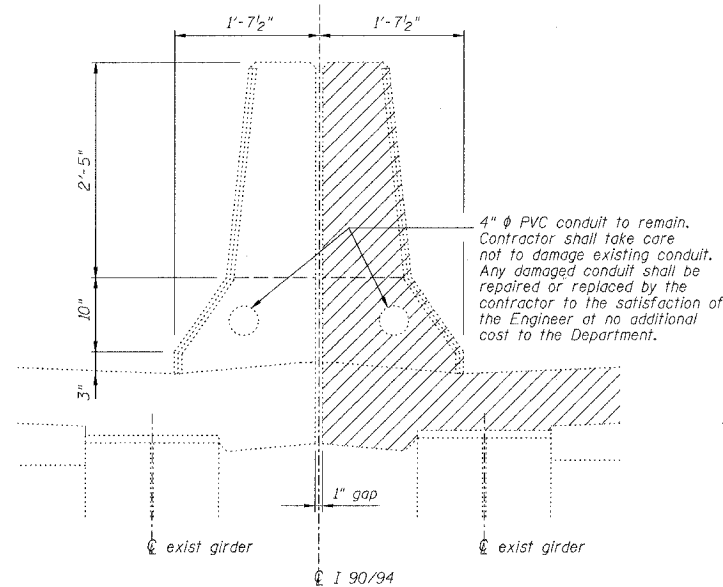
Note:
All dimensions on girder layout
are given along centerline of bearing.

SPAN 6
GIRDER LAYOUT AT PIER 7

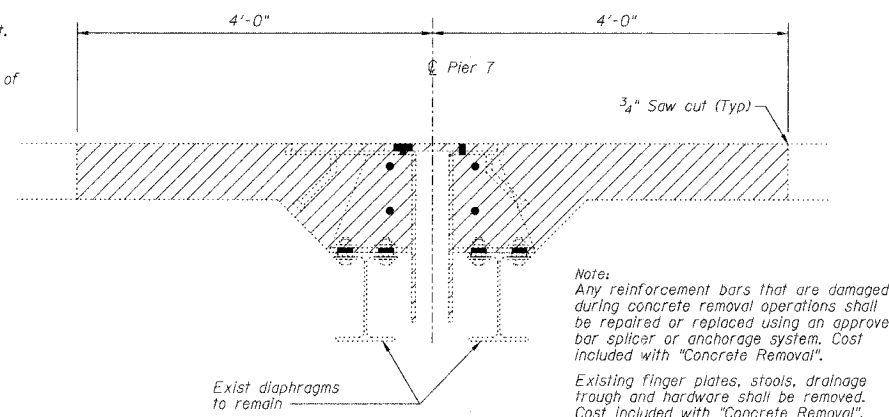


**FINGER PLATE AT PIER 7 NORTHBOUND
JOINT REMOVAL PLAN AT PIER 7**

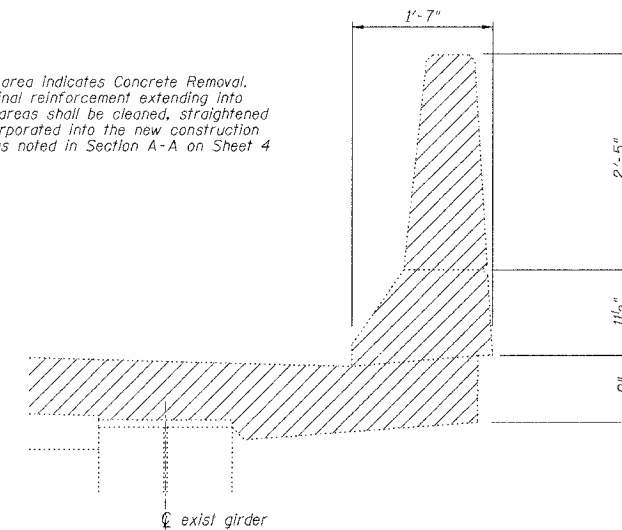
Note:
Hatched area indicates Concrete Removal.
Longitudinal reinforcement extending into
removal areas shall be cleaned, straightened
and incorporated into the new construction
except as noted in Section A-A on Sheet 4



DETAIL AT EXISTING MEDIAN PARAPET



SECTION AT EXISTING FINGER PLATE AT PIER 7



DETAIL AT EXISTING OUTSIDE PARAPET

PIER NO. 7

FINGER PLATE EXPANSION JOINT REMOVAL DETAILS

REVISIONS		STATE OF ILLINOIS DEPARTMENT OF TRANSPORTATION DIVISION OF HIGHWAYS		DRAWN BY RLK	DATE 5/03
1	DATE	INITIALS		CHECKED BY SDS	DATE 5/03
2				BOOK NUMBER	
3				PROJECT No.	4222-3
4				SHEET No.	
5				FAI RTE 90/94 DAN RYAN EXPRESSWAY	
6				SN 016-1111 (NORTHBOUND)	
7				SEC 2005-008F COOK COUNTY	
8				HOMER L. CHASTAIN & ASSOCIATES CONSULTING ENGINEERS	
9				8800 W. BERRY MAWLE AVENUE SUITE 304 CHICAGO, ILLINOIS 60641 312-734-0900 FAX 312-734-0906	
10					